



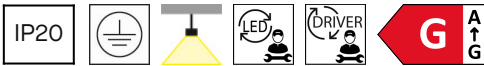
Circular Downward ø900 Surface

Benedito Design

Pendant Circular Downward ø900 Surface LED 46W 2700K 0-10V Gold 2306lm

Technical features

- Luminaire total power: 46W
- Real lumens: 2306
- Real lm/W: 50
- Correlated Colour Temperature (CCT): 2700K
- Lens / reflector angle: HORIZONTAL 115°
- UGR: <=19
- Structure finish: Gold
- Diffuser material: Polycarbonate
- Diffuser finish: Opal
- Driver Brand: MEANWELL
- Voltage / frequency: 100-240V ~ 50/60Hz
- Dimming protocol: 0-10V
- Power Factor: 0.90
- Useful life: 50,000h L80B20
- Warranty: 5 years
- Easily recyclable luminaire



Luminotechnic features

- Luminance C0°G65°: 1087
- Luminance C90°G65°: 1084
- CRI: 92
- MacAdam steps: 3
- Photobiological risk: RG1

| UGR | | Lampholder | Quantity | Light source power (W) | Correlated Colour Temperature (CCT) |
|------------------|------------|------------|----------|------------------------|-------------------------------------|
| S=0.250 | | | | | |
| Ceiling / cavity | 0.7 | LED | 1 | 42.5W | 2700K |
| Walls | 0.5 | | | | |
| Working Plane | 0.2 | | | | |
| Room dimensions | X=4H, Y=8H | | | | |
| UGR crosswise | 17.3 | | | | |
| UGR lengthwise | 17.3 | | | | |

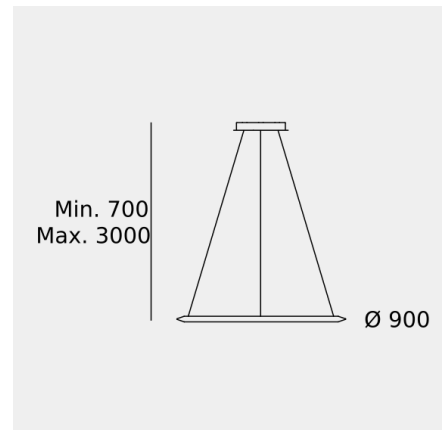


Image may not match reference. LedsC4 reserves the right to amend any of the product's components. The data related to flux, power and colour temperature may be subject to changes made by the manufacturer.

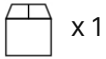


Circular Downward \varnothing 900 Surface

Benedito Design

Pendant Circular Downward \varnothing 900 Surface LED 46W 2700K 0-10V Gold 2306lm

Logistics



x 1

Net weight (kg): 5

Packaged weight (kg): 10

Packaging: 981mm x 958mm x 95mm

Image may not match reference. LedsC4 reserves the right to amend any of the product's components. The data related to flux, power and colour temperature may be subject to changes made by the manufacturer.