



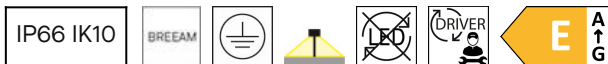
Newton Pro Module

LedsC4 Team

Bollard IP66 Newton Pro Module LED 25.1W 3000K DALI-2 Urban grey 2450lm

Technical features

- Luminaire total power: 25.1W
- Real lumens: 2695
- Real lm/W: 107
- Correlated Colour Temperature (CCT): 3000K
- Lens / reflector angle: FLOOD 82°
- Structure material: Aluminium
- Structure finish: Urban grey
- Diffuser material: Polycarbonate
- Diffuser finish: Transparent
- Driver Brand: MEANWELL
- Voltage / frequency: 100-277V ~ 50/60Hz
- Dimming protocol: DALI-2
- Power Factor: 0.95
- Useful life: 50,000h L80B20
- Warranty: 5 years
- Resistant to marine environments: Yes
- Easily recyclable luminaire



Luminotechnic features

- CRI: 92
- MacAdam steps: 3
- Photobiological risk: RGO

Lampholder	Quantity	Light source power (W)
LED	1	22.8W

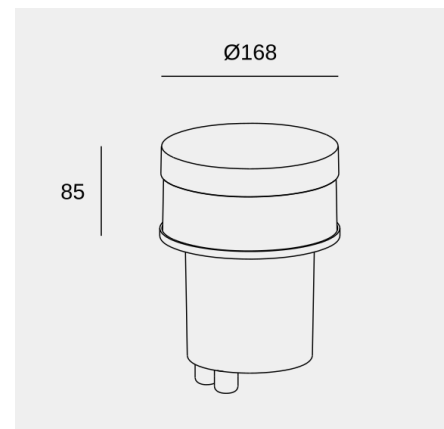


Image may not match reference. LedsC4 reserves the right to amend any of the product's components. The data related to flux, power and colour temperature may be subject to changes made by the manufacturer.



Newton Pro Module

LedsC4 Team

Bollard IP66 Newton Pro Module LED 25.1W 3000K DALI-2 Urban grey 2450lm

Logistics



x 4

Net weight (kg): 1.91

Packaged weight (kg): 2.21

Packaging: 180mm x 180mm x 240mm

Light application



Image may not match reference. LedsC4 reserves the right to amend any of the product's components. The data related to flux, power and colour temperature may be subject to changes made by the manufacturer.



Newton Pro Module

LedsC4 Team

Bollard IP66 Newton Pro Module LED 25.1W 3000K DALI-2 Urban grey 2450lm

Required accessories



81-E001-Z5-Z5

Structure material: Aluminium
Dimensions: 168 x NA x 165
Net weight (kg): 0.95



81-E002-Z5-Z5

Structure material: Aluminium
Dimensions: 168 x NA x 615
Net weight (kg): 2.43



81-E003-Z5-Z5

Structure material: Aluminium
Dimensions: 168 x NA x 915
Net weight (kg): 3.48

Image may not match reference. LedsC4 reserves the right to amend any of the product's components. The data related to flux, power and colour temperature may be subject to changes made by the manufacturer.



Newton Pro Module

LedsC4 Team

Bollard IP66 Newton Pro Module LED 25.1W 3000K DALI-2 Urban grey 2450lm

Optional accessories



71-E006-48-48

Floor mounting bolts

Structure material: Steel
Dimensions: NA x NA x NA
Net weight (kg): 0.25

Image may not match reference. LedsC4 reserves the right to amend any of the product's components. The data related to flux, power and colour temperature may be subject to changes made by the manufacturer.