

NT Series

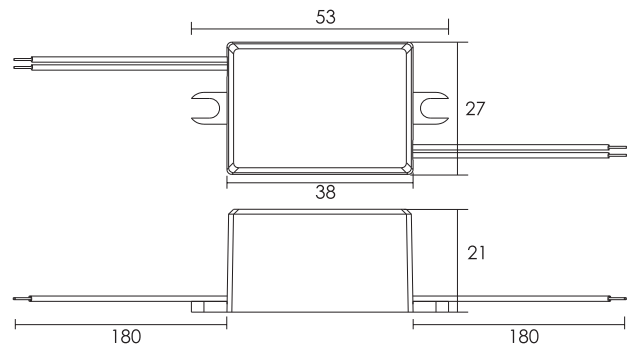
TRIAC Dimming LED Driver

可控硅调光LED驱动器

Features:

- Dimmable with leading edge or trailing edge dimmer
- Constant current driver
- Super compact design
- Primary and secondary sides come with leads
- Safe no-load operation
- Overload & Short circuiting protection
- SELV output
- Protection class II
- Smooth dimming compatible with most dimmer
- Soft start
- Dimming range 1...100%

- 适用普通可控硅前切相或后切相调光器
- 恒流驱动
- 超小体积紧凑设计
- 输入和输出端引线型
- 安全无负载保护装置
- 输出过载、短路保护
- 符合安全特低电压标准
- 保护等级 II
- 平滑高性能调光, 匹配更多的调光器
- 软启动设计
- 调光范围 1...100%光通量



Parameters:

Model No. 型号	Input voltage 额定电压 (V)	Max. output 功率 (W)	Output current 输出电流 (mA)	Output voltage 输出电压 (V)	Power factor 功率因数 (λ)	Efficiency full load 效率 (%)	No-load power 空载功率 (W)	Ambient temperature 环境温度 ta (°C)	Max. casing temperature 最大外壳温度 tc (°C)	Isolation 隔离	Dimensions LxWxH 尺寸 (mm)	Weight 重量 (g)
MINID10004NT	220-240	4	100	21-42	0.90C	73	<1.0	-20...+50	80	SELV	53x27x21	40
MINID26004NT	220-240	4	260	8-16	0.90C	72	<1.0	-20...+50	80	SELV	53x27x21	40
MINID35004NT	220-240	4	350	6-12	0.90C	72	<1.0	-20...+50	80	SELV	53x27x21	40
MINID50004NT	220-240	4	500	4-8	0.90C	70	<1.0	-20...+50	80	SELV	53x27x21	40
MINID70004NT	220-240	4	700	3-6	0.90C	68	<1.0	-20...+50	80	SELV	53x27x21	40
MINID50005NT	220-240	5	500	5-10	0.90C	67	<1.0	-20...+50	80	SELV	53x27x21	40