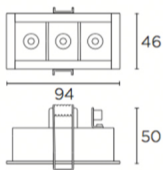


BENTO Downlight recessed

Description

Downlights

For downlighting. UGR <10. Maximum visual comfort with invisible lamp effect. Structure material: Aluminium, Polycarbonate. Structure finish: White, Black. Warranty: 2 Years.



Finish
White
Black

Material
Aluminium
Polycarbonate



TECHNICAL CHARACTERISTICS

Light source

Light source: LED CREE

Output (W): 6.6 W

Color temperature: Warm White - 2700K

CRI: 90

Real Lumen: 365

Nominal Lumen: 380

Qty Leds: 3

Lm/Real W: 61

Life Time: 40.000h L80B20

Bin / Grup: 8A3 o 8D2

MacAdam steps: 3

Photobiological risk: RG2

GEAR

This item requires gear. It is not included.

Luminaire

Warranty: 2 Years

Logistics

Energy Efficiency: LED A++

EAN Code: 8435526843725

Net Weight (Kg): 0.000

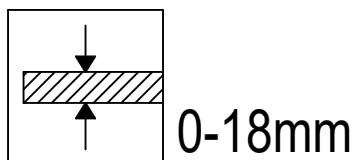
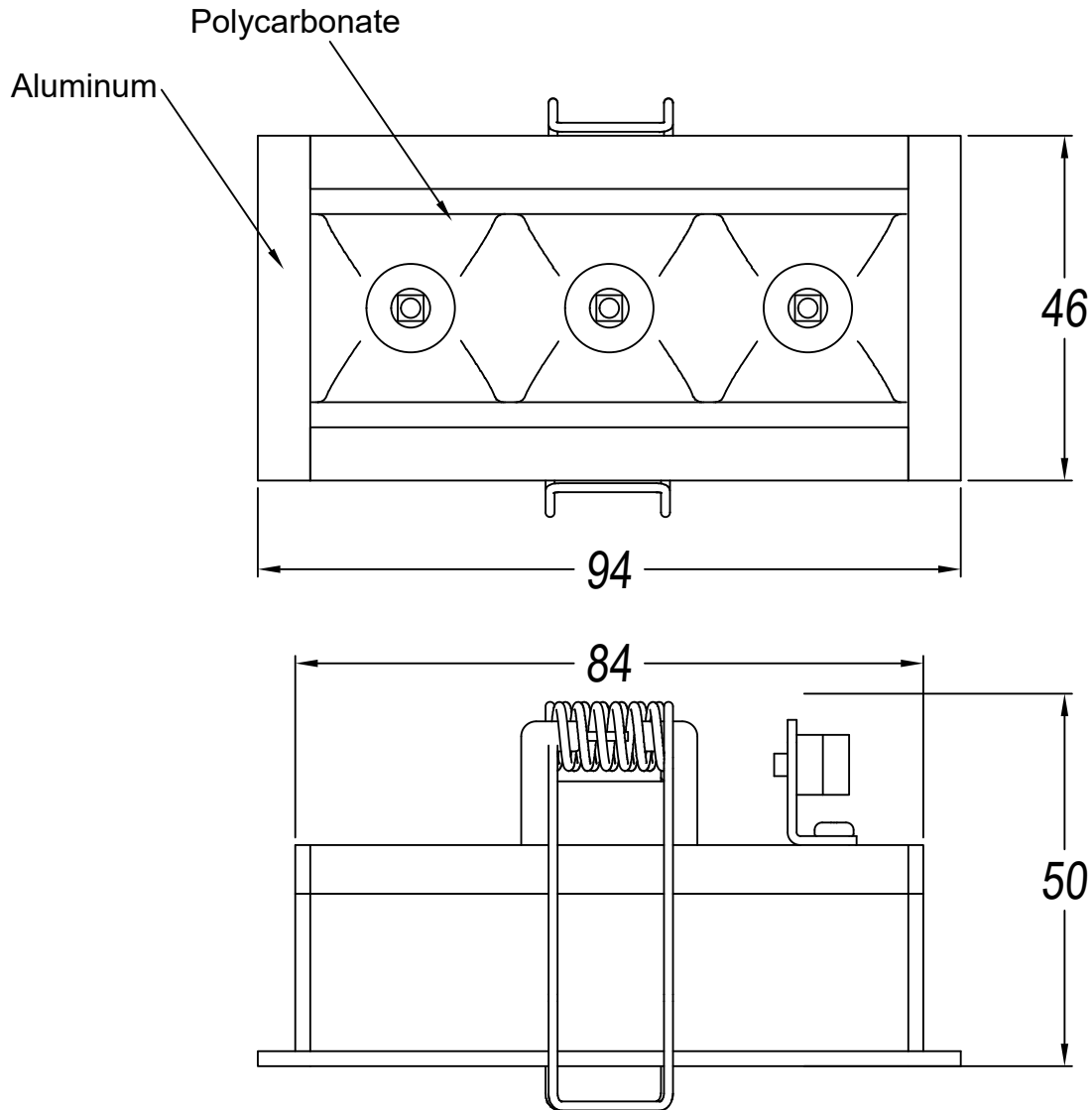
Packing: 190 x 200 x 100

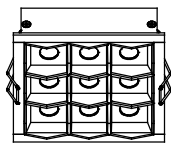
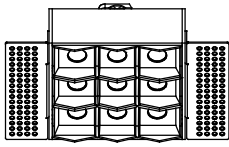
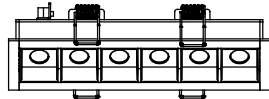
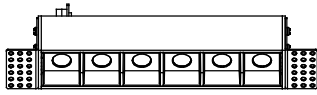
Masterbox: 1

40x88

0-18

The photograph may not match the reference exactly. Please read the product description to identify the finish.

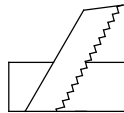




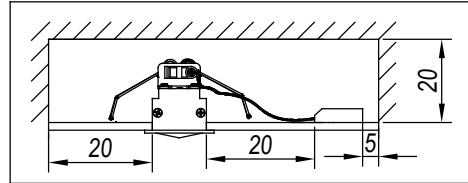
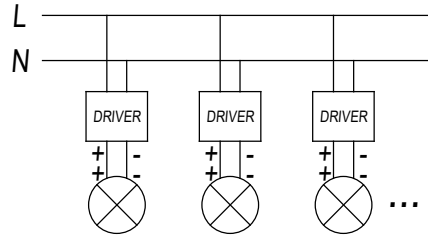
TRIMLESS

- 3LEDS: 36x84mm
- 6LEDS: 36x164mm
- 12LEDS: 36x323mm
- 18LEDS: 36x482mm
- 3X3LEDS: 90x90mm

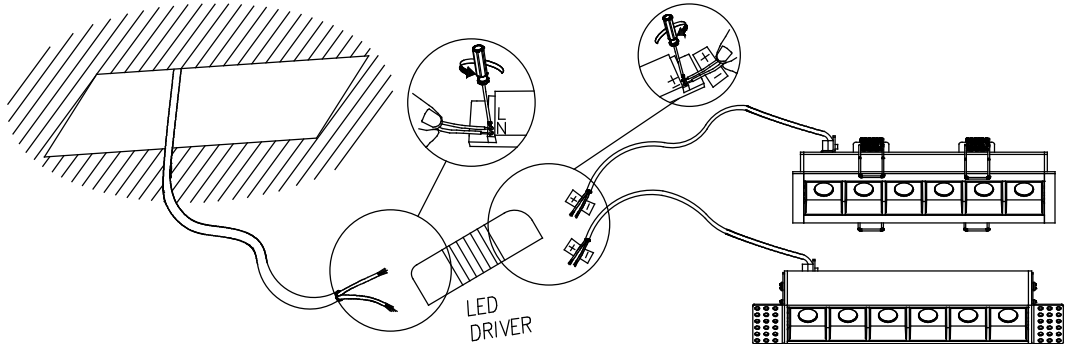
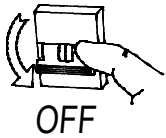
TRIM



- 3LEDS: 40x88mm
- 6LEDS: 40x168mm
- 12LEDS: 40x328mm
- 18LEDS: 40x486mm
- 3X3LEDS: 95x95mm

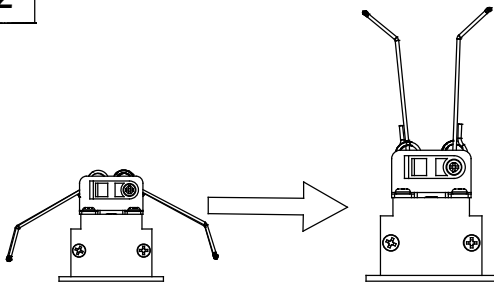


1

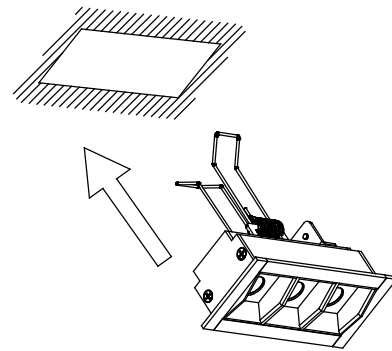


TRIM/CON MARCO

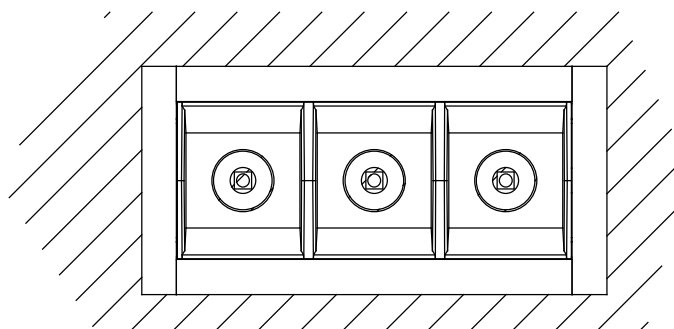
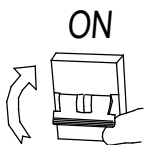
2



3



4



TRIMLESS/SIN MARCO

