

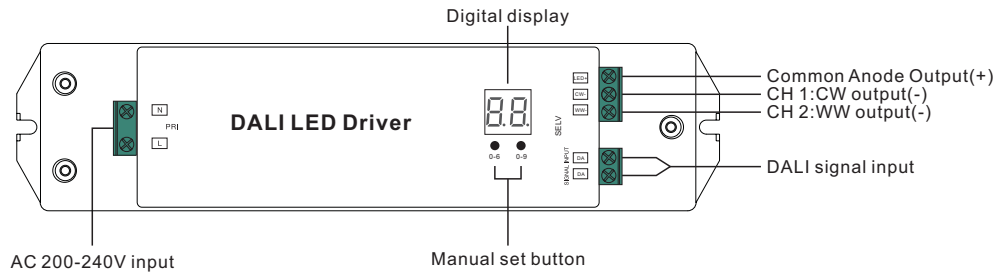
50W DALI LED Driver(DT8)

09.0550WVT.04182



Important: Read All Instructions Prior to Installation

Function introduction



Product Data

Output	DC Voltage	12V DC	24V DC
	Max. Current	Max. 4.16A/ch, ch1+ch2=4.16A	Max. 2.08A/ch, ch1+ch2=2.08A
	Rated Power	max. 50W	
Input	Voltage Range	200-240V AC	
	Frequency	50/60Hz	
	Power Factor (Typ.)	>0.9	
	Efficiency (Typ.)	85% @ 230VAC	88% @ 230VAC
	Input Current	0.27A @ 230VAC	
Protection	Short Circuit	Yes	
	Over Current	Yes	
	Over Temperature	Yes	
Environment	Working Temp.	-20°C ~ +45°C	
	Max. Case Temp.	85°C	
	Working Humidity	10% ~ 95% RH non-condensing	
	Storage Temp. & Humidity	-40°C ~ +80°C, 10% ~ 95% RH	
Safety&EMC	Safety Standards	ENEC EN61347-1, EN61347-2-13 approved	
	Withstand Voltage	I/P-O/P: 3.75KVAC	
	EMC Emission	EN55015, EN61000-3-2, EN61000-3-3	
	EMC Immunity	En61547, EN61000-4-2,3,4,5,6,8,11, surge immunity Line-Line 1KV	

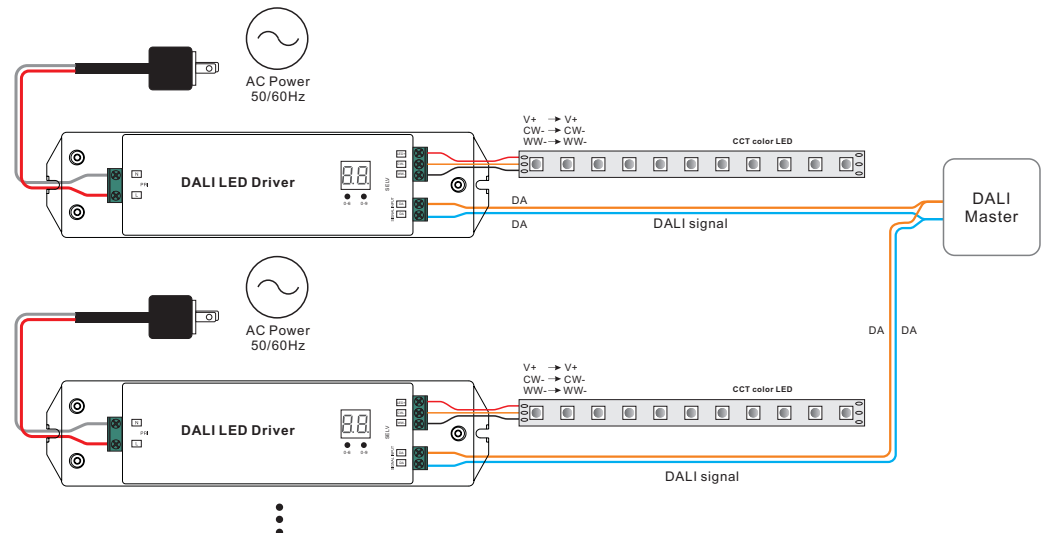
Others	MTBF	193.6K hrs min. @ 230VAC at full load and 25°C ambient temperature
	Dimension	210*50*32mm (L*W*H)

- DALI DT8 Dimmable LED driver for tunable white
- 2 channels constant voltage output, total output power up to 50W
- Class II power supply, full isolated plastic case
- High power factor and efficiency
- Built-in DALI interface, DALI DT8 device
- Complies to IEC 62386-209:2011
- DALI DT8 device to control Warm White and Cool White output via a single DALI address
- Color temperature adjustment according to DALI specifications of Device Type 8, Color Type Tc.
- Compatible with universal DALI masters that support DT8 commands
- Error report function
- IP20 rating, suitable for indoor LED lighting applications
- 5 years warranty

Safety & Warnings

- DO NOT install with power applied to device.
- DO NOT expose the device to moisture.

Wiring Diagram



Operation

1. Set DALI Address Manually Via Buttons



- 1.1. Press and hold down any of the two buttons until numeric digital display flashes, then release the button.
- 1.2. Click any of the two buttons once to select a digit, click again to change the digit until the desired DALI address appears. Click first button to set "tens" position and second button to set "units" position. The address can be set from 00~63.
- 1.3. Then press and hold down any of the 2 buttons until the numeric digital display stops flashing to confirm the setting.

Note: DALI address can be manually assigned from 00-63-FF, by factory defaults, no DALI

address is assigned for the dimmer, and the display shows FF. Setting DALI address as FF will reset the dimmer to factory defaults.

2. DALI Address Assigned by DALI Masters

DALI address can also be assigned by DALI Master controller automatically, please refer to user manuals of compatible DALI Masters for specific operations.

Note: The digital display will show AU When the DALI master is assigning addresses.

3. Once an address is selected, all two channels' address will be the same. For example, if the dimmer is addressed to 22 on the display then CH1 and CH2 will be the same address 22.