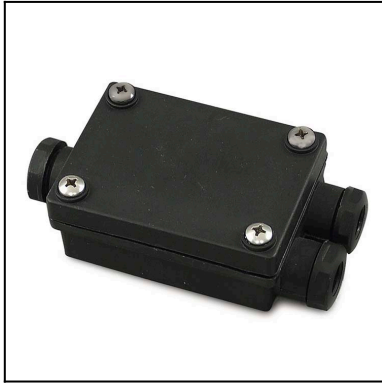


OUT **ACCESSORY**
71-9262-05-05

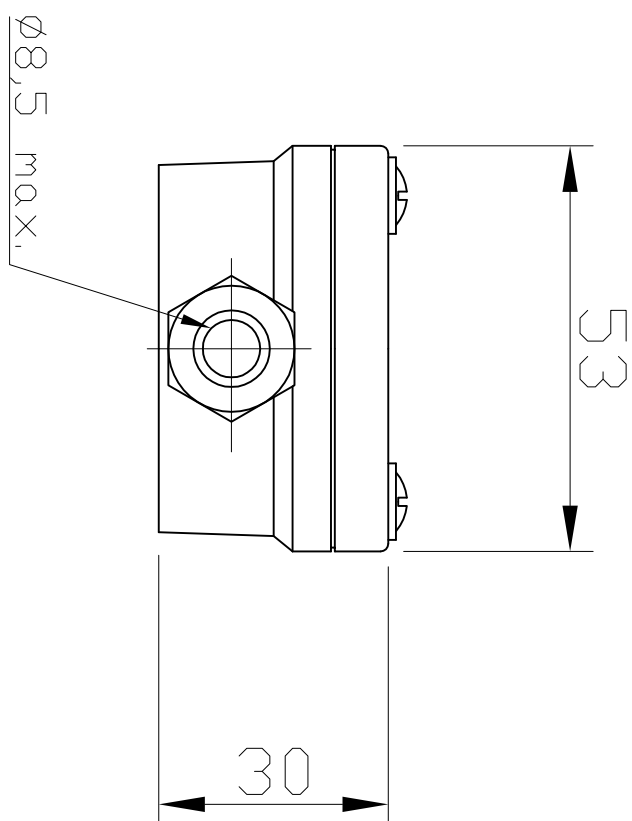
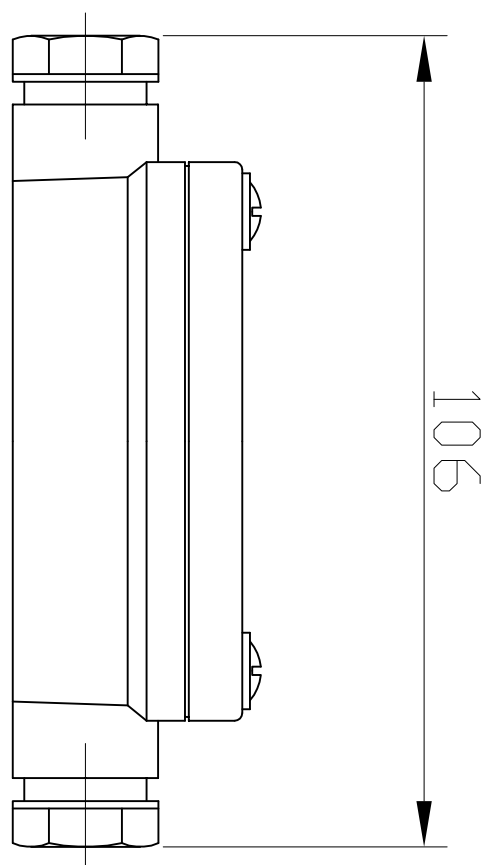
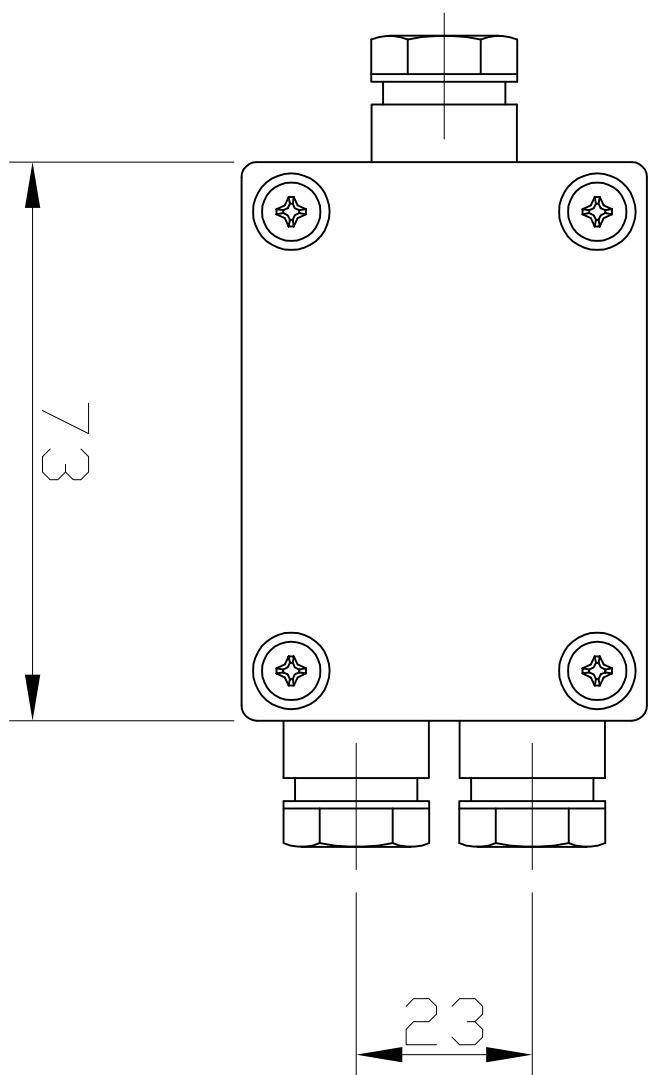
The photograph may not match the reference exactly. Please read the product description to identify the finish.

[Download photometric file .ldt /.ies](#)

TECHNICAL CHARACTERISTICS

Type:	Accessory
IP Protection degrees:	IP67
Warranty:	2
Units per box:	48
Net Weight (Kg):	0.090
EAN Code:	8435111049525

**MATERIALS / FINISHES**



1

