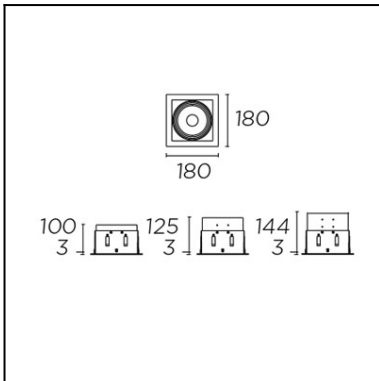




The photograph may not match the reference exactly. Please read the product description to identify the finish.



Download photometric file .ldt / .ies

Description

Housing for a MULTIDIR EVO L electronic kit (see kits available in Accessories). Version for installation with a visible surround. Surround, rotation rings and interior in black finish. Height-adjustable rear cover allowing the use of different lighting sources.

TECHNICAL CHARACTERISTICS

Type:	Accessory
Adjustable:	Adjustable $\pm 40^\circ$ around the two axis forming the horizontal plane.
IP Protection degrees:	IP23
Warranty (Years):	2
Units per box:	8
Net Weight (Kg):	1.44
EAN:	8435381413095



MATERIALS / FINISHES

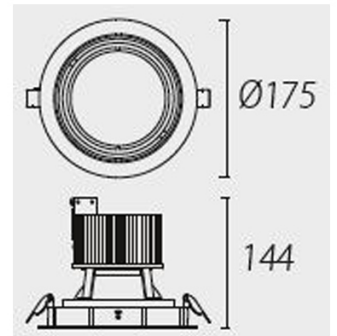
Structure material:	Steel Aluminium
Structure finish:	Black Black


71-2965-00-37



Electronic kit with LED module (Zhaga standard) and driver included. For installation, the light must be completed with one of the different bodies available.

Diffuser material: Glass
Diffuser finish: Transparent



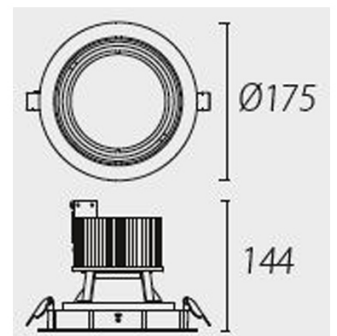
IP23 

71-2966-00-37



Electronic kit with LED module (Zhaga standard) and driver included. For installation, the light must be completed with one of the different bodies available.

Diffuser material: Glass
 Glass
Diffuser finish: Transparent
 Transparent



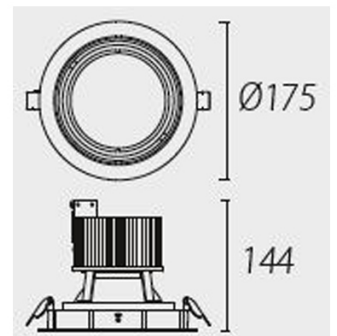
IP23 

71-2967-00-37



Electronic kit with LED module (Zhaga standard) and driver included. For installation, the light must be completed with one of the different bodies available.

Structure material: Aluminium
Diffuser material: Glass
Diffuser finish: Transparent



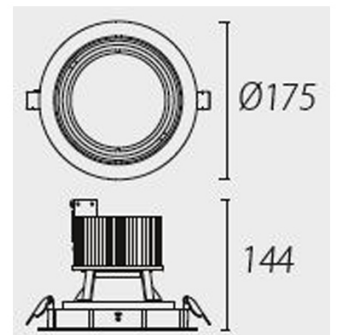
IP23 

71-2968-00-37



Electronic kit with LED module (Zhaga standard) and driver included. For installation, the light must be completed with one of the different bodies available.

Diffuser material: Glass
 Glass
Diffuser finish: Transparent
 Transparent



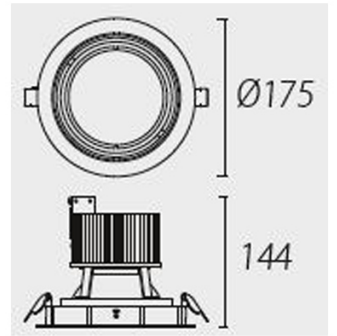
IP23 

71-2969-00-37



Electronic kit with LED module (Zhaga standard) and driver included. For installation, the light must be completed with one of the different bodies available.

Diffuser material:	Glass Glass
Diffuser finish:	Transparent Transparent



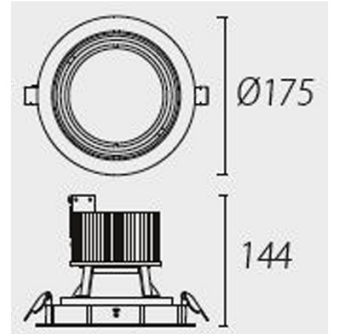
IP23 


71-2970-00-37



Electronic kit with LED module (Zhaga standard) and driver included. For installation, the light must be completed with one of the different bodies available.

Diffuser material:	Glass Glass
Diffuser finish:	Transparent Transparent



IP23 

71-3515-00-37



Electronic kit with LED module (Zhaga standard) included. For installation, the light must be completed with one of the different bodies available.

Structure material:	Aluminium
Structure finish:	Black
Diffuser material:	Glass
Diffuser finish:	Transparent

IP23 

71-3516-00-37



Electronic kit with LED module (Zhaga standard) included. For installation, the light must be completed with one of the different bodies available.

Structure material:	Aluminium
Structure finish:	Black
Diffuser material:	Glass
Diffuser finish:	Transparent

IP23 

71-3517-00-37



Electronic kit with LED module (Zhaga standard) included. For installation, the light must be completed with one of the different bodies available.

Structure material: Aluminium
Structure finish: Black
Diffuser material: Glass
Diffuser finish: Transparent

IP23 

71-2971-00-37



Electronic kit with LED module (Zhaga standard) included. For installation, the light must be completed with one of the different bodies available.

Structure material: Aluminium
Structure finish: Black
Diffuser material: Glass
Diffuser finish: Transparent

IP23 

71-2972-00-37



Electronic kit with LED module (Zhaga standard) included. For installation, the light must be completed with one of the different bodies available.

Structure material: Aluminium
Structure finish: Black
Diffuser material: Glass
Diffuser finish: Transparent

IP23 

71-2973-00-37



Electronic kit with LED module (Zhaga standard) included. For installation, the light must be completed with one of the different bodies available.

Structure material: Aluminium
Diffuser material: Glass
Glass
Diffuser finish: Transparent
Transparent

IP23 

71-2974-00-37



Electronic kit with LED module (Zhaga standard) included. For installation, the light must be completed with one of the different bodies available.

Diffuser material: Glass
Glass
Diffuser finish: Transparent
Transparent

IP23 

71-2975-00-37



Electronic kit with LED module (Zhaga standard) included. For installation, the light must be completed with one of the different bodies available.

Diffuser material: Glass
Glass
Diffuser finish: Transparent
Transparent

IP23 

71-2976-00-37



Electronic kit with LED module (Zhaga standard) included. For installation, the light must be completed with one of the different bodies available.

Diffuser material: Glass
Glass
Diffuser finish: Transparent
Transparent

IP23 

71-3518-00-37



Electronic kit with LED module (Zhaga standard) included. For installation, the light must be completed with one of the different bodies available.

Structure material: Aluminium
Structure finish: Black
Diffuser material: Glass
Diffuser finish: Transparent

IP23 

71-3519-00-37



Electronic kit with LED module (Zhaga standard) included. For installation, the light must be completed with one of the different bodies available.

Structure material: Aluminium
Structure finish: Black
Diffuser material: Glass
Diffuser finish: Transparent

IP23 

71-3520-00-37



Electronic kit with LED module (Zhaga standard) included. For installation, the light must be completed with one of the different bodies available.

Structure material: Aluminium
Structure finish: Black
Diffuser material: Glass
Diffuser finish: Transparent

IP23 

71-2963-00-37



Electronic kit with G8.5 lampholder. To install, the light must be completed with one of the different bodies available.

Diffuser material: Glass
Glass
Diffuser finish: Transparent
Transparent

IP23 

71-3224-00-37



Electronic kit with G8.5 lampholder. To install, the light must be completed with one of the different bodies available.

Diffuser material: Glass
Glass
Diffuser finish: Transparent
Transparent

IP23 

71-2964-00-37



Electronic kit with G8.5 lampholder. To install, the light must be completed with one of the different bodies available.

Diffuser material: Glass
Glass

Diffuser finish: Transparent
Transparent

IP23 

71-2956-00-00



Electronic kit with G53 lampholder. For installation, the light must be completed with one of the different bodies available.

IP23 

71-2955-00-00



Electronic kit with GX8.5 lampholder. To install, the light must be completed with one of the different bodies available.

IP23 

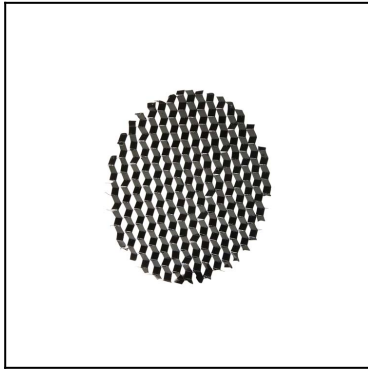
71-2954-00-00



Electronic kit with GU10 lampholder. For installation, the light must be completed with one of the different bodies available.

IP23 

ACT-9180-60-00



Honeycomb, Black

Structure material: Steel
Structure finish: Black

71-4741-00-37V1



Diffuser material: Polycarbonate
Diffuser finish: Transparent

IP23 

71-4742-00-37V1



Diffuser material: Polycarbonate
Diffuser finish: Transparent

IP23 

71-4743-00-37V1



Structure material: Aluminium
Diffuser material: Polycarbonate
Diffuser finish: Transparent

IP23 

71-3515-00-37V1



Electronic kit with LED module (Zhaga standard) included. For installation, the light must be completed with one of the different bodies available.

Structure material: Aluminium
Structure finish: Black
Diffuser material: Polycarbonate
Diffuser finish: Transparent

IP23 

71-3516-00-37V1



Electronic kit with LED module (Zhaga standard) included. For installation, the light must be completed with one of the different bodies available.

Structure material: Aluminium
Structure finish: Black
Diffuser material: Polycarbonate
Diffuser finish: Transparent

IP23 

71-3517-00-37V1



Electronic kit with LED module (Zhaga standard) included. For installation, the light must be completed with one of the different bodies available.

Structure material: Aluminium
Structure finish: Black
Diffuser material: Polycarbonate
Diffuser finish: Transparent

IP23 

71-4744-00-37V1



Diffuser material: Polycarbonate
Diffuser finish: Transparent

IP23 

71-4745-00-37V1



Diffuser material: Polycarbonate
Diffuser finish: Transparent

IP23 

71-4746-00-37V1



Diffuser material: Polycarbonate
Diffuser finish: Transparent

IP23 

71-2971-00-37V1



Electronic kit with LED module (Zhaga standard) included. For installation, the light must be completed with one of the different bodies available.

Structure material: Aluminium
Structure finish: Black
Diffuser material: Polycarbonate
Diffuser finish: Transparent

IP23 

71-2972-00-37V1



Electronic kit with LED module (Zhaga standard) included. For installation, the light must be completed with one of the different bodies available.

Structure material: Aluminium
Structure finish: Black
Diffuser material: Polycarbonate
Diffuser finish: Transparent

IP23 

71-2973-00-37V1



Electronic kit with LED module (Zhaga standard) included. For installation, the light must be completed with one of the different bodies available.

Structure material: Aluminium
Diffuser material: Polycarbonate
Diffuser finish: Transparent

IP23 

71-3518-00-37V1



Electronic kit with LED module (Zhaga standard) included. For installation, the light must be completed with one of the different bodies available.

Structure material: Aluminium
Structure finish: Black
Diffuser material: Polycarbonate
Diffuser finish: Transparent

IP23 

71-3519-00-37V1



Electronic kit with LED module (Zhaga standard) included. For installation, the light must be completed with one of the different bodies available.

Structure material: Aluminium
Structure finish: Black
Diffuser material: Polycarbonate
Diffuser finish: Transparent

IP23 

71-3520-00-37V1



Electronic kit with LED module (Zhaga standard) included. For installation, the light must be completed with one of the different bodies available.

Structure material: Aluminium
Structure finish: Black
Diffuser material: Polycarbonate
Diffuser finish: Transparent

IP23 

71-2974-00-37V1



Electronic kit with LED module (Zhaga standard) included. For installation, the light must be completed with one of the different bodies available.

Diffuser material: Polycarbonate
Diffuser finish: Transparent

IP23 

71-2975-00-37V1



Electronic kit with LED module (Zhaga standard) included. For installation, the light must be completed with one of the different bodies available.

Diffuser material: Polycarbonate
Diffuser finish: Transparent

IP23 

71-2976-00-37V1

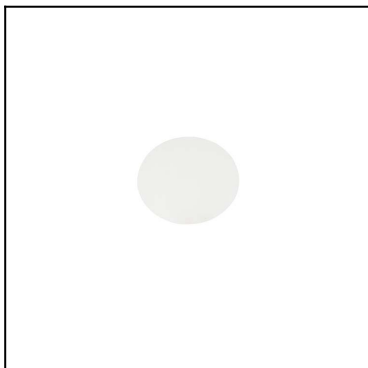


Electronic kit with LED module (Zhaga standard) included. For installation, the light must be completed with one of the different bodies available.

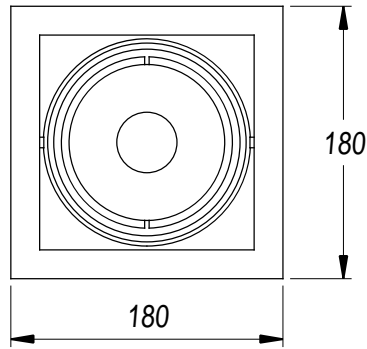
Diffuser material: Glass
Glass
Diffuser finish: Transparent
Transparent

IP23 

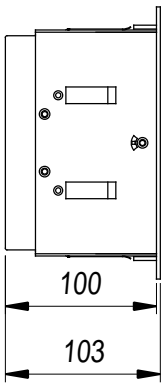
71-5652-00-00



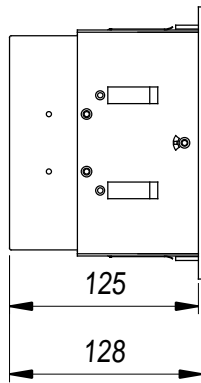
Diffuser material: Polycarbonate
Diffuser finish: Transparent



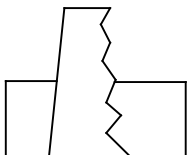
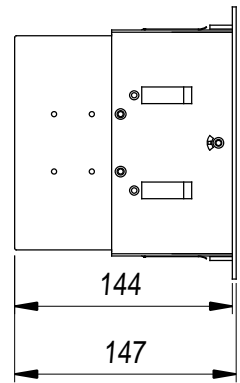
1



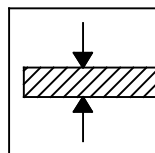
2



3



160x160 mm



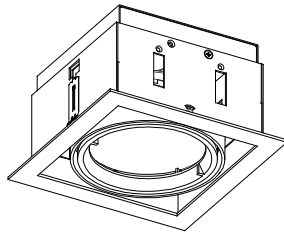
0-25mm

Scale 1:5 24-09-15

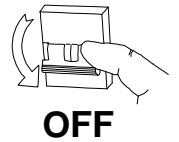
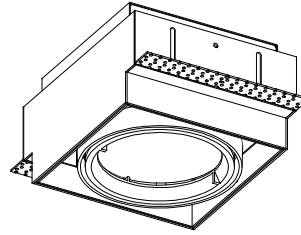
1

MULTIDIR STRUCTURES

TRIM

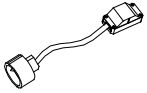


TRIMLESS

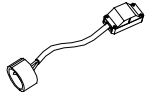


OFF

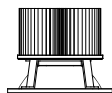
KIT GU10



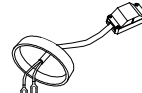
KIT GX8.5



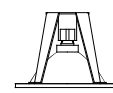
KIT LED / LED AC



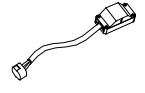
KIT G53



KIT G8.5

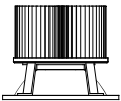


KIT GU5.3

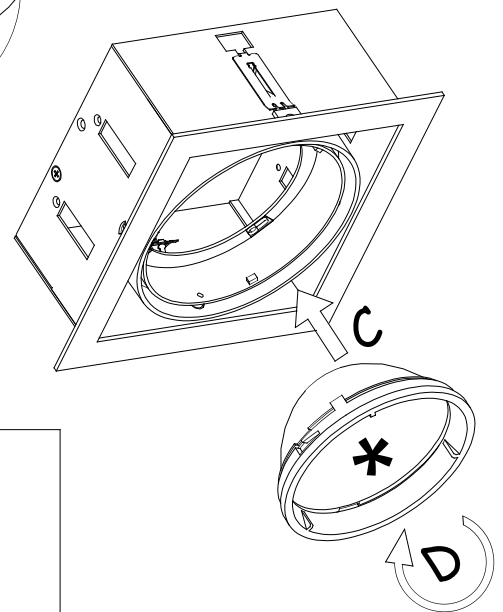
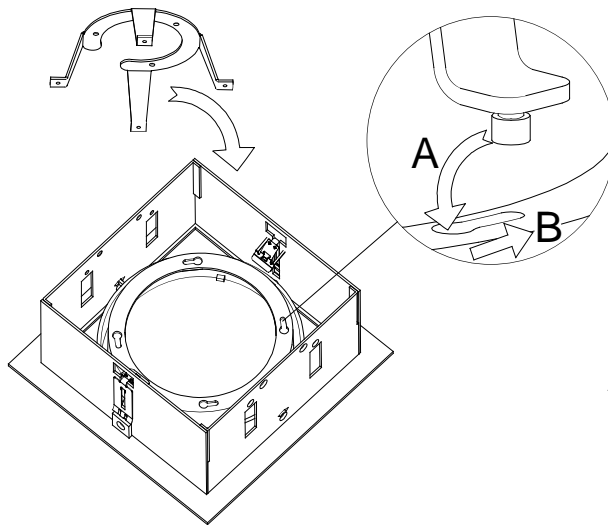
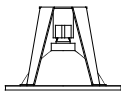


2

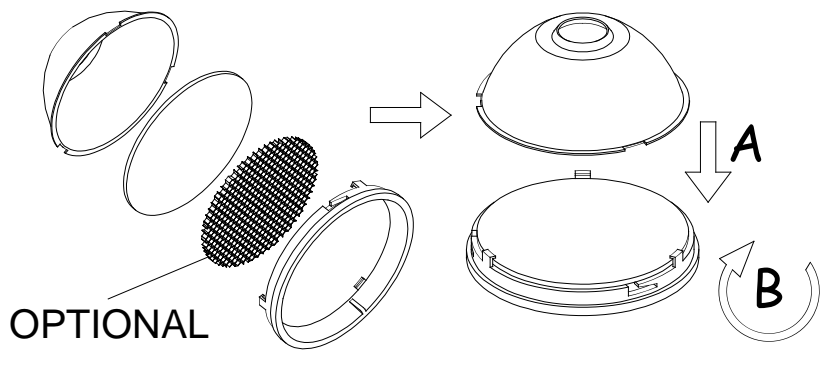
LED / LED AC



G8.5

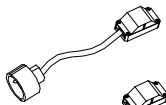


*



OPTIONAL

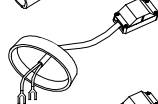
GU10



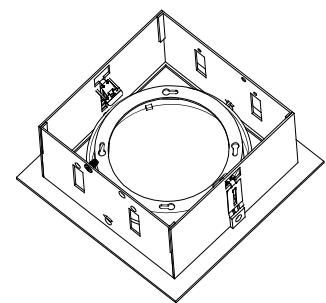
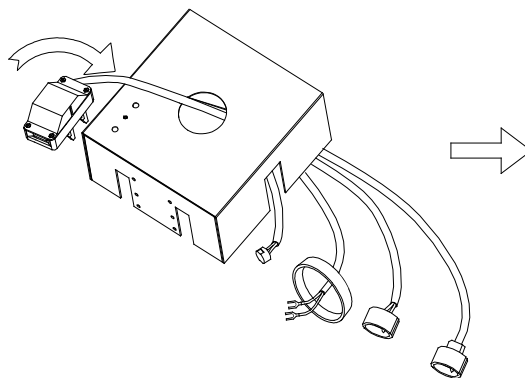
GX8.5

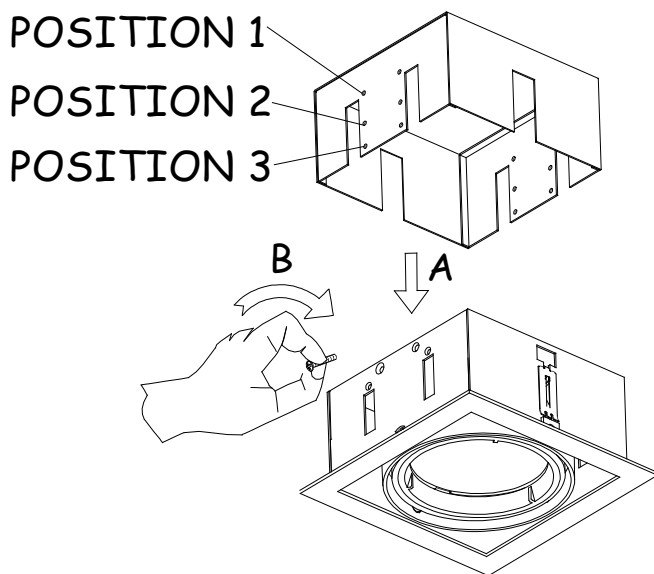


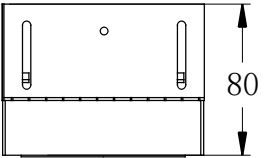
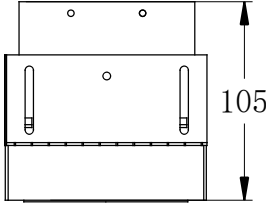
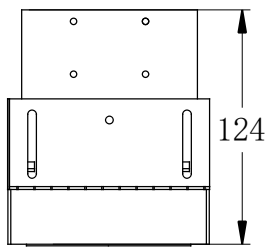
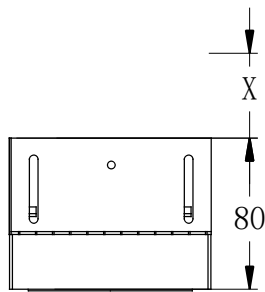
G53

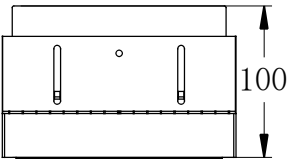
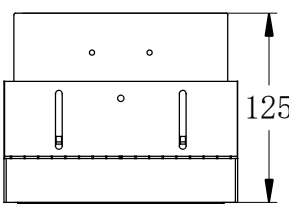
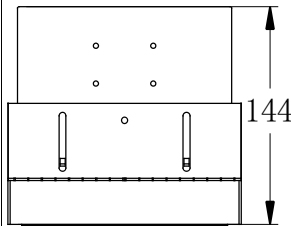
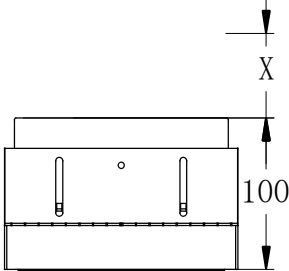


GU5.3

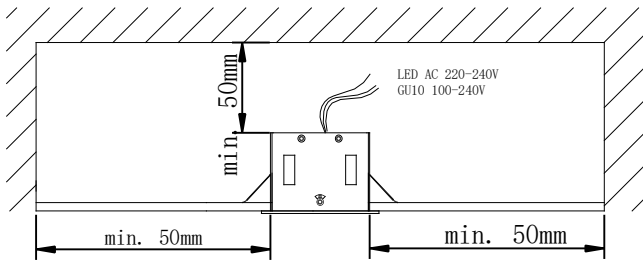
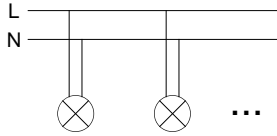




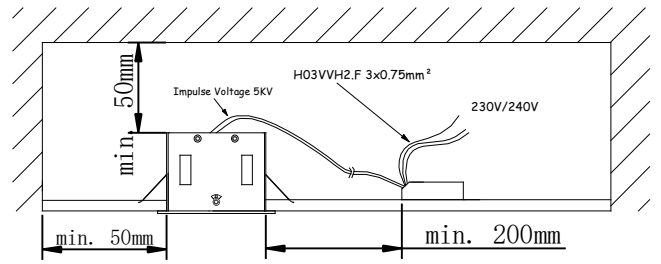
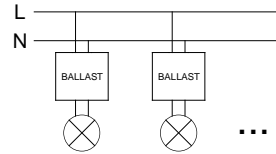
MULTIDIR EVO S				
VERSION	POSITION 1	POSITION 2	POSITION 3	POSITION 4
GU5.3	✓ Hmax 50mm	✓ Hmax 75mm	✓ Hmax 95mm	✓
GU10	X	✓ Hmax 50mm	✓ Hmax 75mm	✓

MULTIDIR EVO L				
VERSION	POSITION 1	POSITION 2	POSITION 3	POSITION 4
GU10	X	✓ Hmax 80mm	✓ Hmax 100mm	✓
GX8.5	X	✓	✓	✓
G53	✓ Hmax 77mm	✓ Hmax 102mm	✓ Hmax 122mm	✓
G8.5	X	✓	✓	✓
LED ZHAGA	X	X	✓	✓

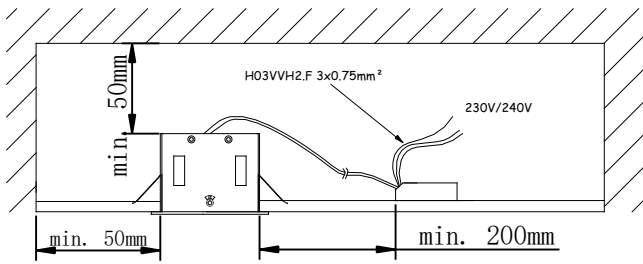
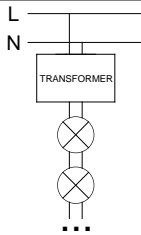
LED AC
GU10



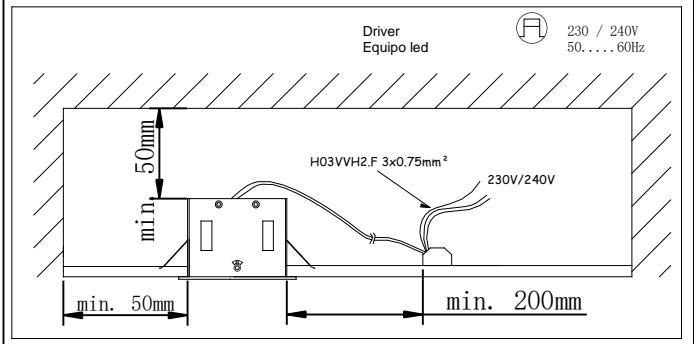
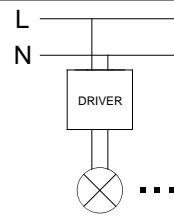
GX8.5
G8.5



G53
GU5.3

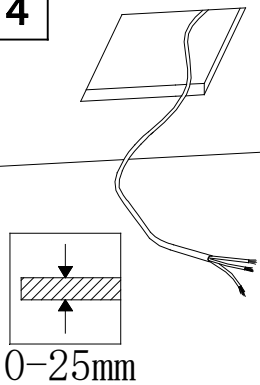



LED



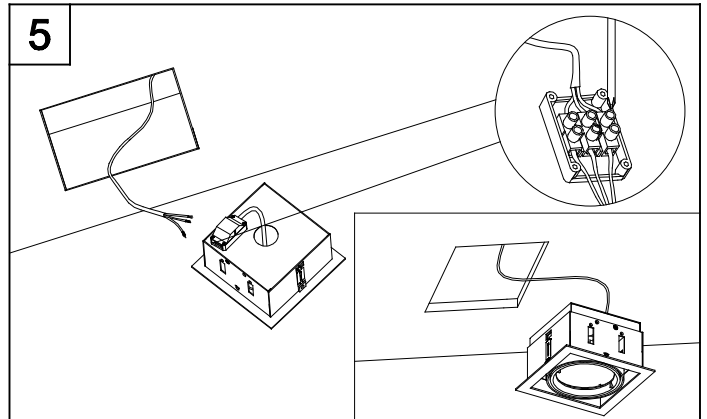
↓ TRIM VERSION

4

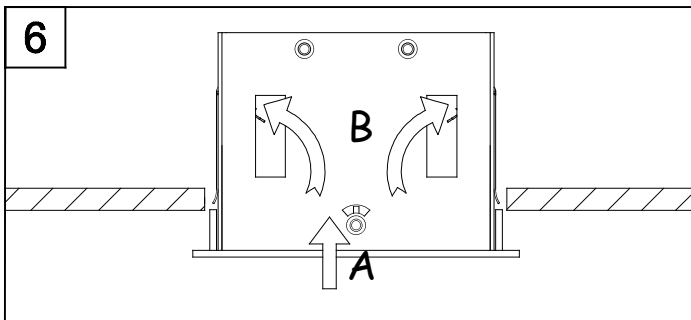


TRIM VERSION	
SMALL 1 LAMP	110x110
SMALL 2 LAMP	208x110
SMALL 3 LAMP	306x110
BIG 1 LAMP	160x160
BIG 2 LAMP	302x160
BIG 3 LAMP	445x160

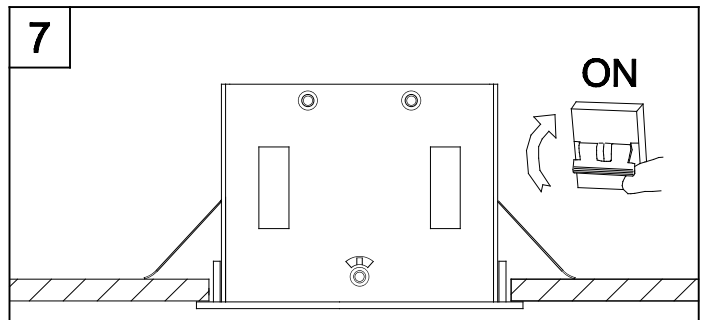
5



6

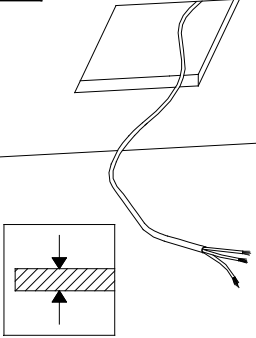


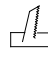
7



↓ TRIMLESS VERSION

3



TRIMLESS VERSION	
SMALL 1 LAMP	108x108
SMALL 2 LAMP	206x108
SMALL 3 LAMP	304x108
BIG 1 LAMP	156x156
BIG 2 LAMP	300x156
BIG 3 LAMP	444x156

0-25mm

