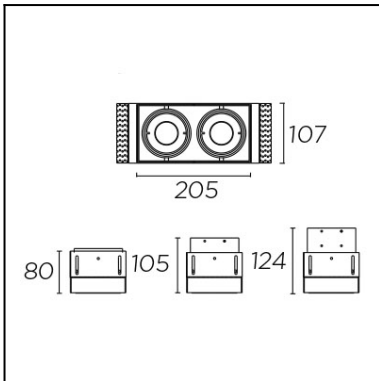


The photograph may not match the reference exactly. Please read the product description to identify the finish.



Download photometric file .ldt /.ies

### Description

Housing for two MULTIDIR EVO S electronic kits (see kits available in Accessories). Version for installation with a non-visible surround. Rotation rings and interior in black finish. Height-adjustable rear cover allowing the use of different lighting sources.

### TECHNICAL CHARACTERISTICS

Type:	Accessory
Adjustable:	Adjustable $\pm 40^\circ$ around the two axis forming the horizontal plane.
IP Protection degrees:	IP23
Warranty (Years):	2
Units per box:	8
Net Weight (Kg):	1.135
EAN:	8435381413408



### MATERIALS / FINISHES

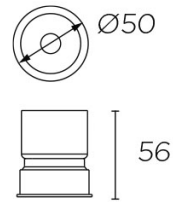
<b>Structure material:</b>	Steel Aluminium
<b>Structure finish:</b>	White White

71-4032-14-M2



LED module. For installation, the light must be completed with one of the different surrounds available.

**Structure material:** Aluminium  
**Structure finish:** White  
**Diffuser material:** Polycarbonate  
**Diffuser finish:** Transparent



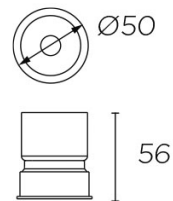
IP20

71-4033-14-M2



LED module. For installation, the light must be completed with one of the different surrounds available.

**Structure material:** Aluminium  
**Structure finish:** White  
**Diffuser material:** Polycarbonate  
**Diffuser finish:** Transparent



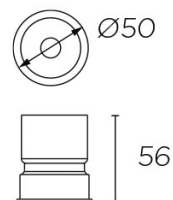
IP20

71-3885-14-M2



LED module. For installation, the light must be completed with one of the different surrounds available.

**Structure material:** Aluminium  
**Structure finish:** White  
**Diffuser material:** Polycarbonate  
**Diffuser finish:** Transparent



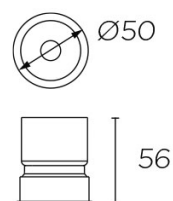
IP20

71-3886-14-M2



LED module. For installation, the light must be completed with one of the different surrounds available.

**Structure material:** Aluminium  
**Structure finish:** White  
**Diffuser material:** Polycarbonate  
**Diffuser finish:** Transparent

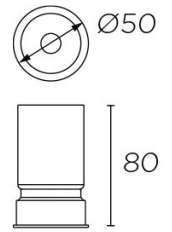


IP20

**71-5156-14-M2V1**

LED module. For installation, the light must be completed with one of the different surrounds available.

**Structure material:** Aluminium  
**Structure finish:** White  
**Diffuser material:** Polycarbonate  
**Diffuser finish:** Transparent



IP20

**71-5157-14-M2V1**

LED module. For installation, the light must be completed with one of the different surrounds available.

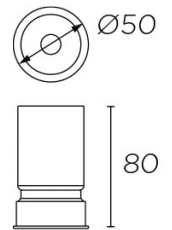
**Structure material:** Aluminium  
**Structure finish:** White  
**Diffuser material:** Polycarbonate  
**Diffuser finish:** Transparent

IP20

**71-5086-14-M2V1**

LED module. For installation, the light must be completed with one of the different surrounds available.

**Structure material:** Aluminium  
**Structure finish:** White  
**Diffuser material:** Polycarbonate  
**Diffuser finish:** Transparent

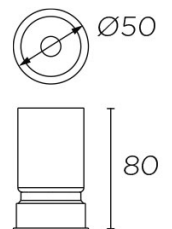


IP20

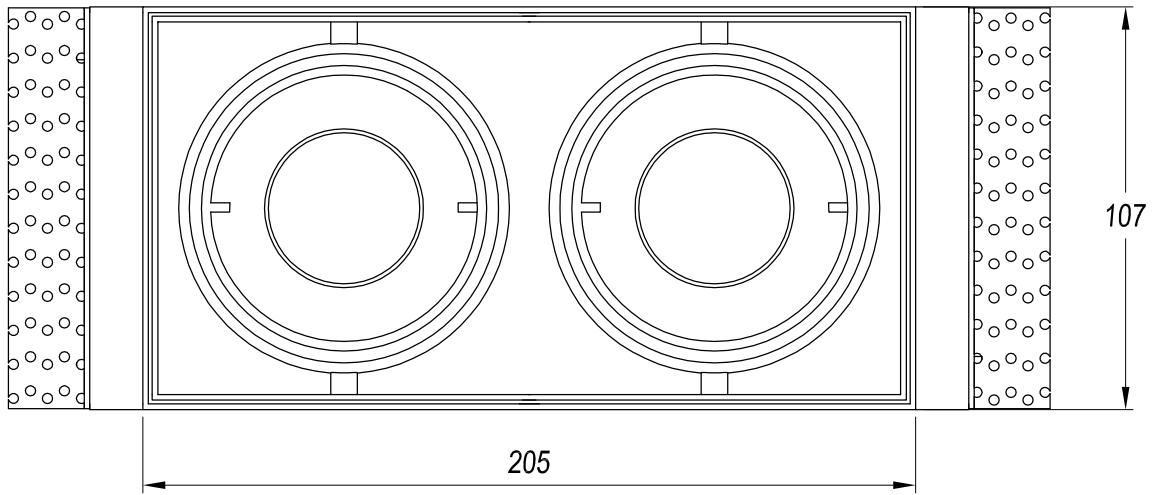
**71-5087-14-M2V1**

LED module. For installation, the light must be completed with one of the different surrounds available.

**Structure material:** Aluminium  
**Structure finish:** White  
**Diffuser material:** Polycarbonate  
**Diffuser finish:** Transparent



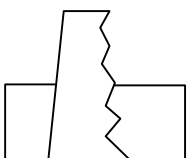
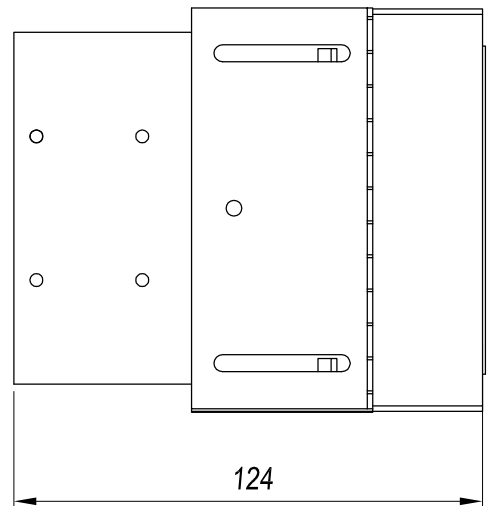
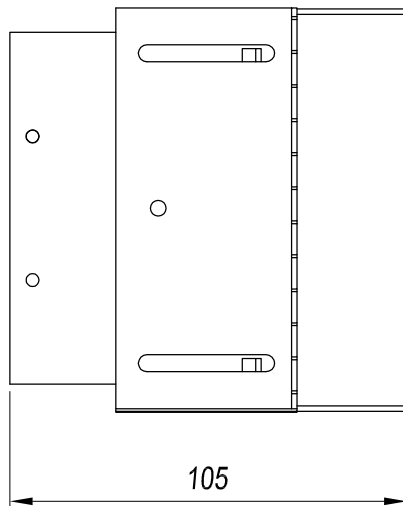
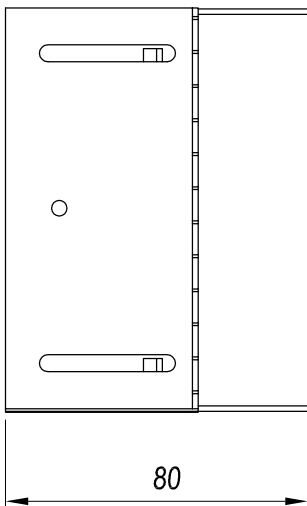
IP20



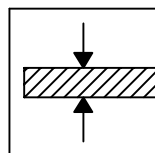
1

2

3



206x108 mm



0-25mm

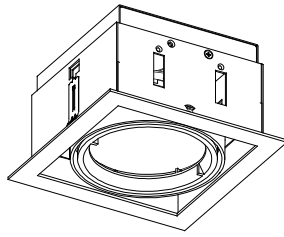
Scale 1:2

29-10-13

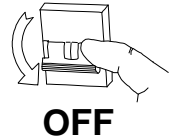
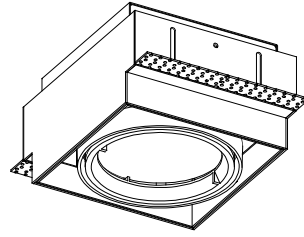
1

MULTIDIR STRUCTURES

TRIM

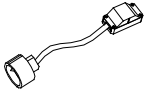


TRIMLESS

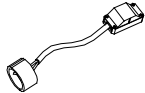


OFF

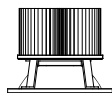
KIT GU10



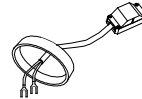
KIT GX8.5



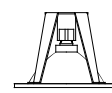
KIT LED / LED AC



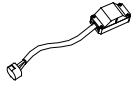
KIT G53



KIT G8.5

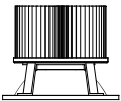


KIT GU5.3

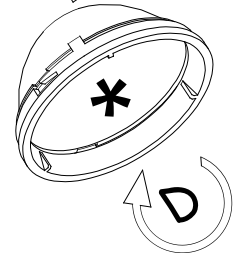
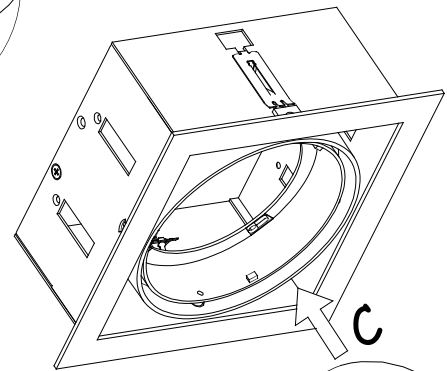
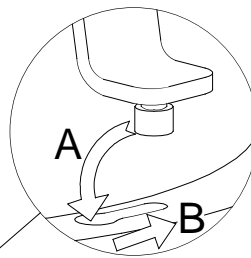
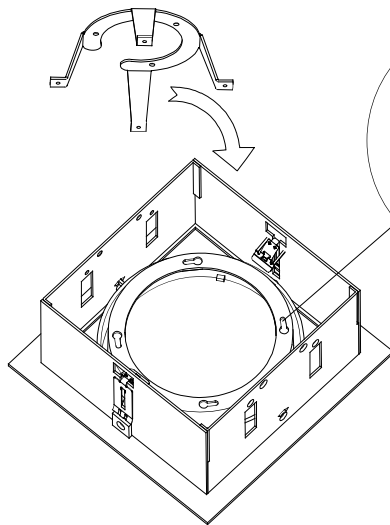
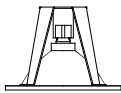


2

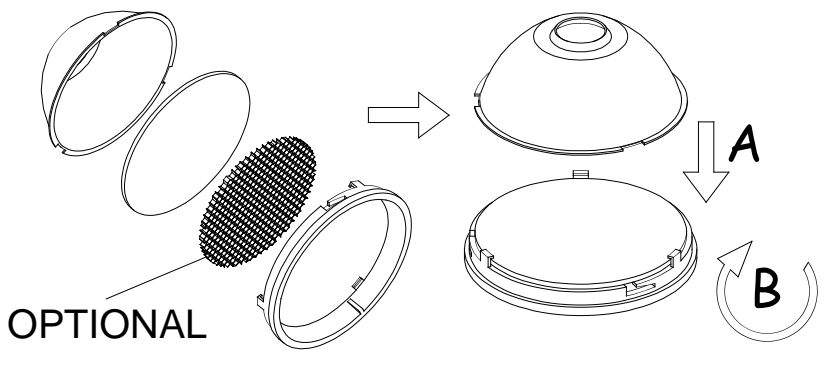
LED / LED AC



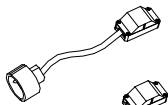
G8.5



\*



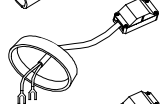
GU10



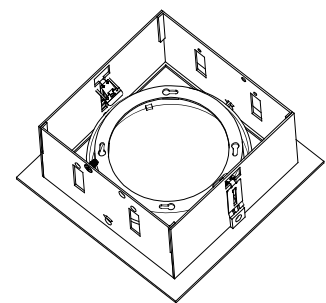
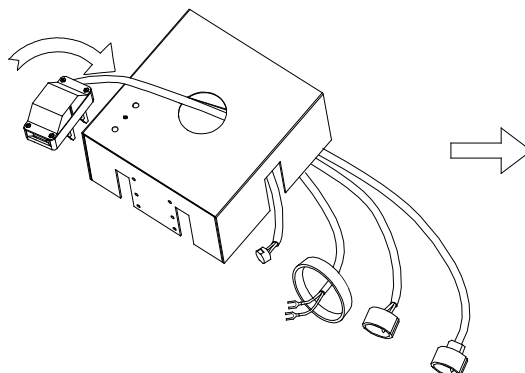
GX8.5

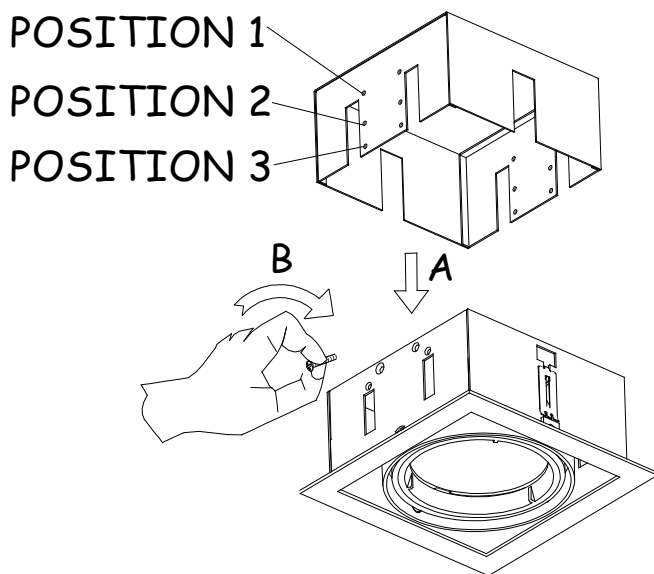


G53



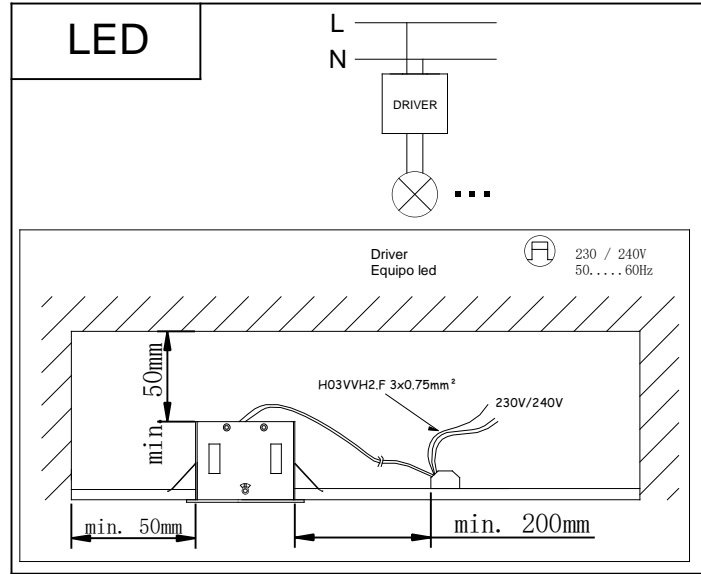
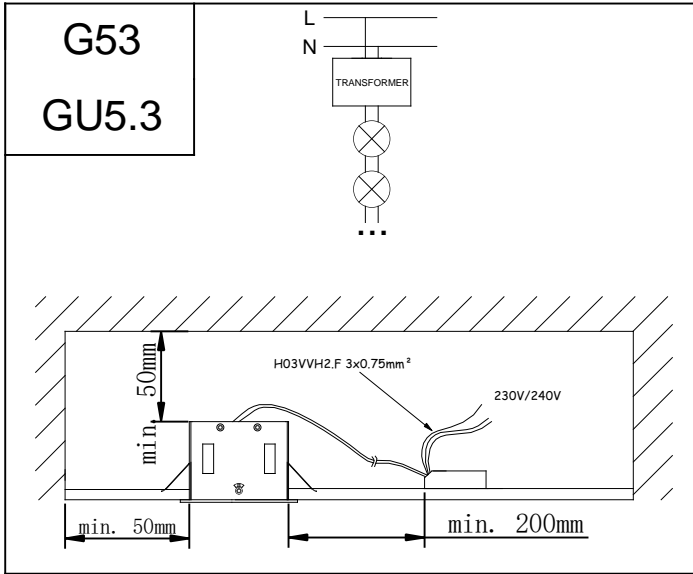
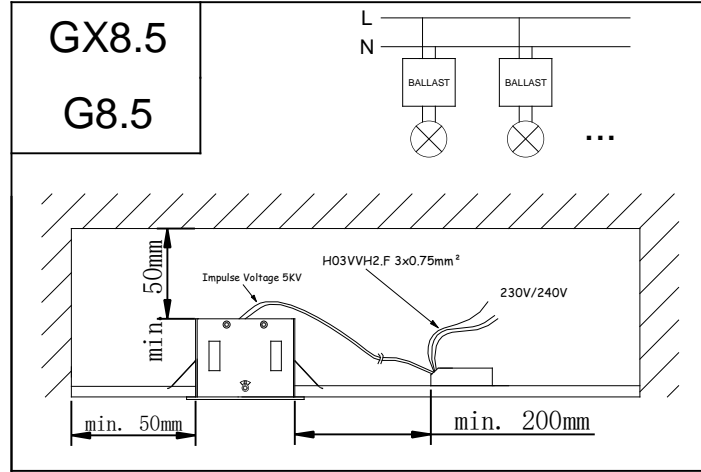
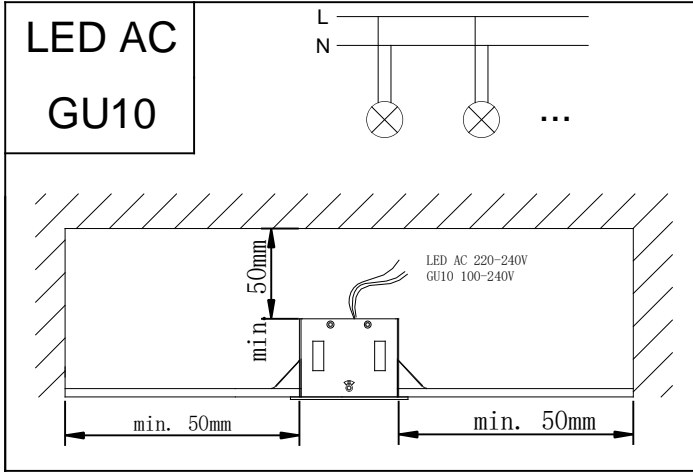
GU5.3





MULTIDIR EVO S				
VERSION	POSITION 1	POSITION 2	POSITION 3	POSITION 4
GU5.3	✓ Hmax 50mm	✓ Hmax 75mm	✓ Hmax 95mm	✓
GU10	X	✓ Hmax 50mm	✓ Hmax 75mm	✓

MULTIDIR EVO L				
VERSION	POSITION 1	POSITION 2	POSITION 3	POSITION 4
GU10	X	✓ Hmax 80mm	✓ Hmax 100mm	✓
GX8.5	X	✓	✓	✓
G53	✓ Hmax 77mm	✓ Hmax 102mm	✓ Hmax 122mm	✓
G8.5	X	✓	✓	✓
LED ZHAGA	X	X	✓	✓

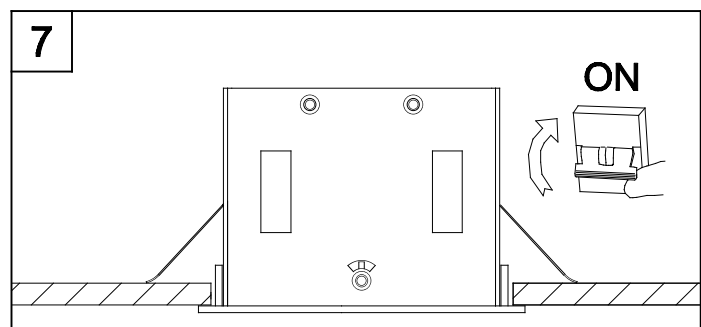
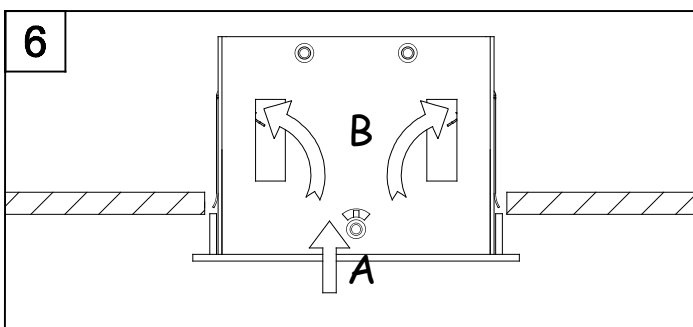
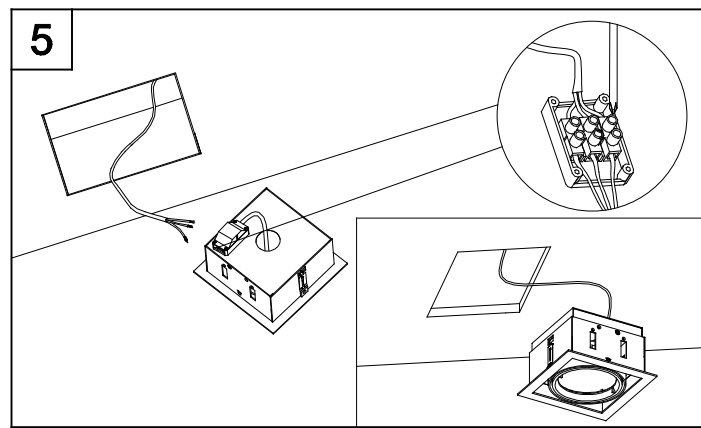


**↓ TRIM VERSION**

**4**

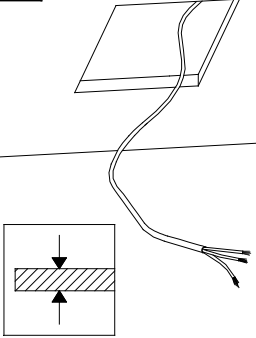
0-25mm

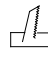
TRIM VERSION	
SMALL 1 LAMP	110x110
SMALL 2 LAMP	208x110
SMALL 3 LAMP	306x110
BIG 1 LAMP	160x160
BIG 2 LAMP	302x160
BIG 3 LAMP	445x160



**↓ TRIMLESS VERSION**

**3**



TRIMLESS VERSION	
SMALL 1 LAMP	108x108
SMALL 2 LAMP	206x108
SMALL 3 LAMP	304x108
BIG 1 LAMP	156x156
BIG 2 LAMP	300x156
BIG 3 LAMP	444x156

0-25mm

