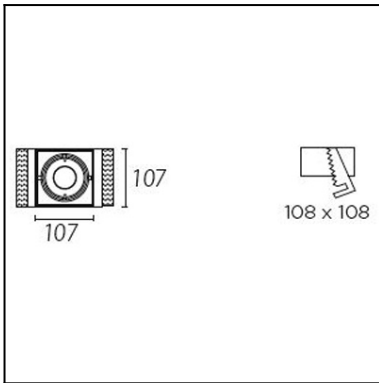


The photograph may not match the reference exactly. Please read the product description to identify the finish.



[Download photometric file .ldt / .ies](#)

### Description

Housing for a MULTIDIR EVO S electronic kit (see kits available in Accessories). Version for installation with a non-visible surround. Rotation rings and interior in white finish. Height-adjustable rear cover allowing the use of different lighting sources.

### TECHNICAL CHARACTERISTICS

Type:	Accessory
Adjustable:	Adjustable $\pm 40^\circ$ around the two axis forming the horizontal plane.
IP Protection degrees:	IP23
Units per box:	12
Net Weight (Kg):	1.305
EAN:	8435381413361




### MATERIALS / FINISHES

<b>Structure material:</b>	Steel Aluminium
<b>Structure finish:</b>	White White

71-2954-00-00



Electronic kit with GU10 lampholder. For installation, the light must be completed with one of the different bodies available.

IP23 

71-3212-00-00



Electronic kit with GU5.3 lampholder. To install, the light must be completed with one of the different bodies available.

IP23

71-4032-N3-M2



LED module. For installation, the light must be completed with one of the different surrounds available.

**Structure material:** Aluminium

**Structure finish:** Grey

**Diffuser material:** Polycarbonate

**Diffuser finish:** Transparent



IP20

71-4033-N3-M2



LED module. For installation, the light must be completed with one of the different surrounds available.

**Structure material:** Aluminium

**Structure finish:** Grey

**Diffuser material:** Polycarbonate

**Diffuser finish:** Transparent



IP20

### 71-3885-N3-M2



LED module. For installation, the light must be completed with one of the different surrounds available.

**Structure material:** Aluminium

**Structure finish:** Grey

**Diffuser material:** Polycarbonate

**Diffuser finish:** Transparent



IP20

### 71-3886-N3-M2



LED module. For installation, the light must be completed with one of the different surrounds available.

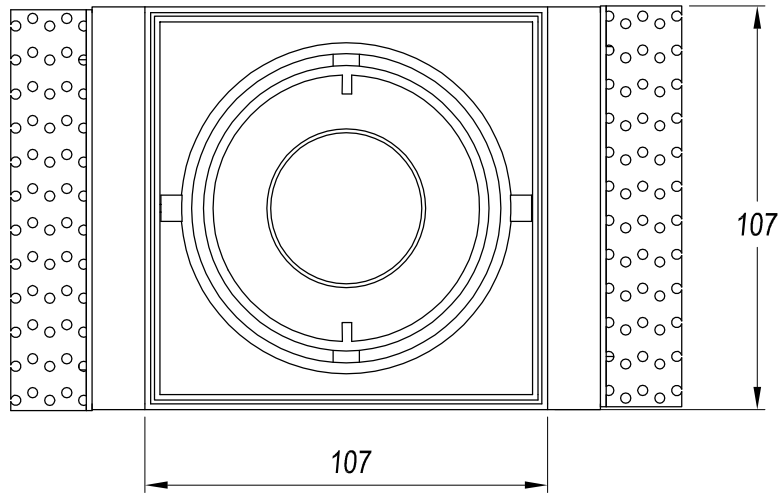
**Structure material:** Aluminium

**Structure finish:** Grey

**Diffuser material:** Polycarbonate

**Diffuser finish:** Transparent

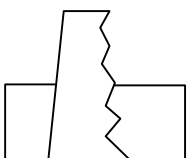
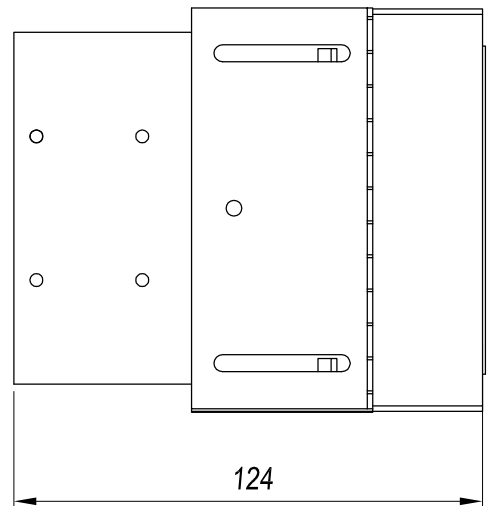
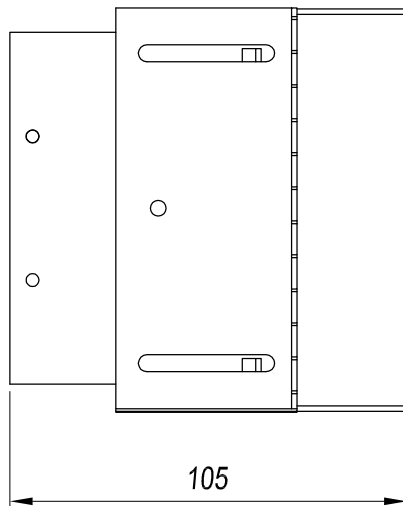
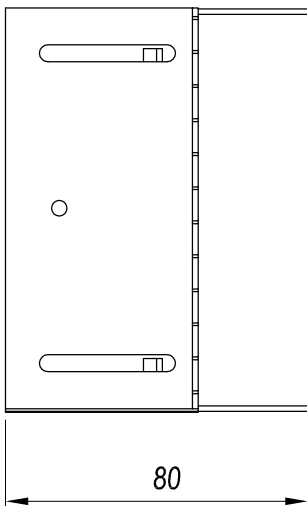
IP20



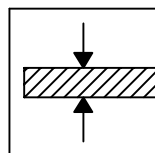
1

2

3



108x108 mm



0-25mm

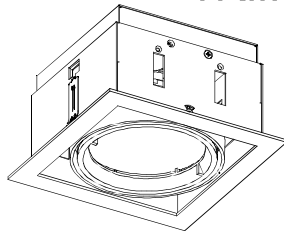
Scale 1:2

29-10-13

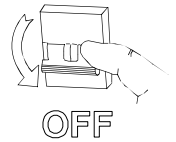
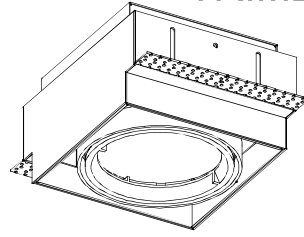
1

MULTIDIR  
STRUCTURES

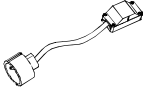
TRIM



TRIMLESS



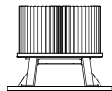
KIT GU10



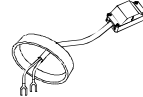
KIT GX8.5



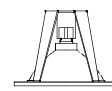
KIT LED / LED AC



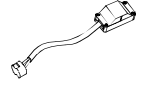
KIT G53



KIT G8.5

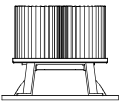


KIT GU5.3

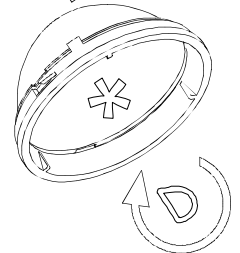
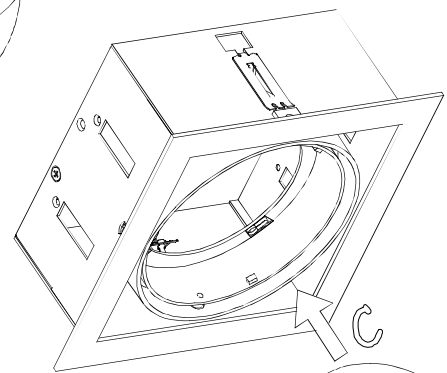
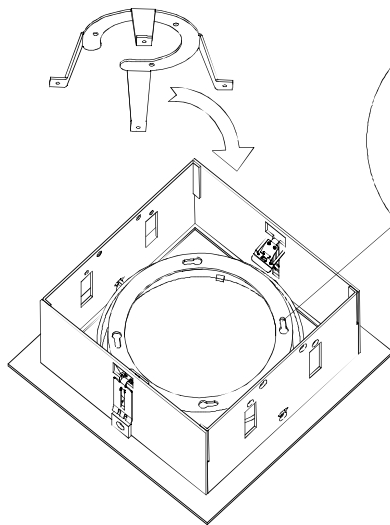
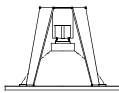


2

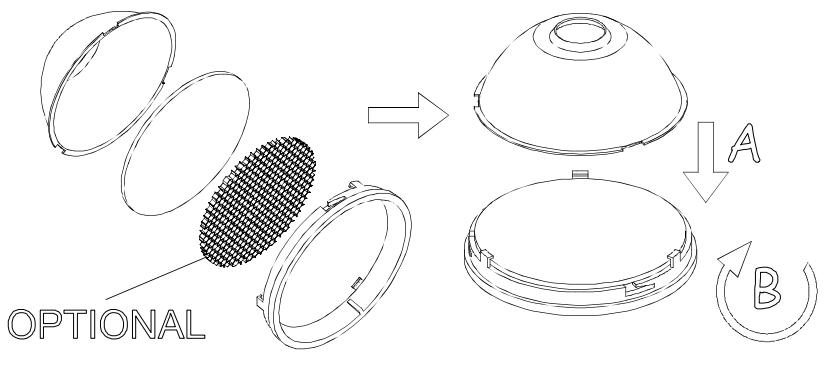
LED / LED AC



G8.5



\*



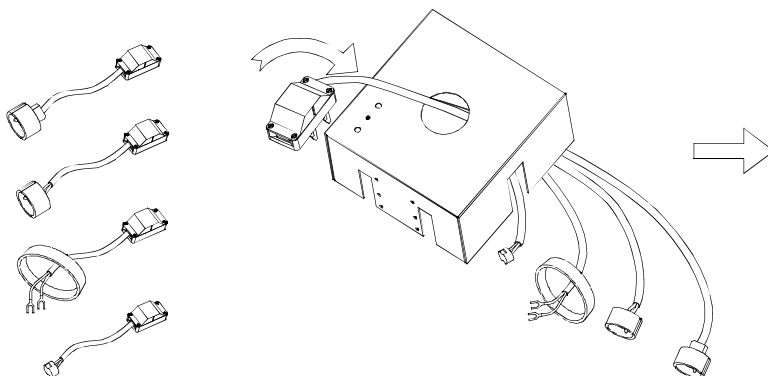
OPTIONAL

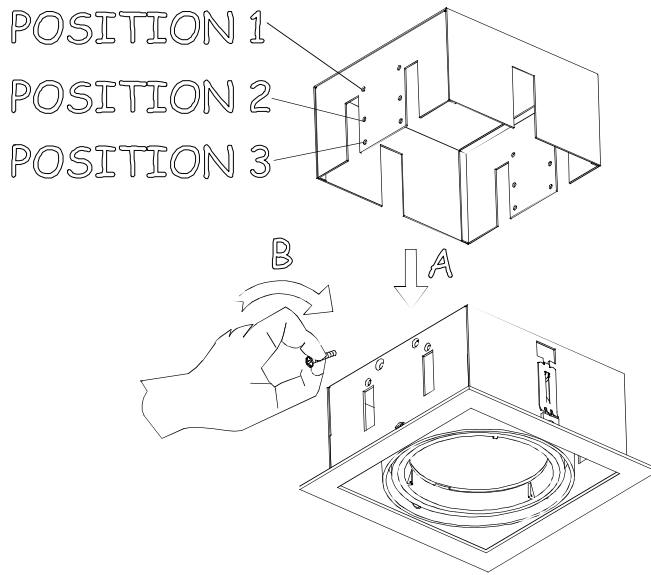
GU10

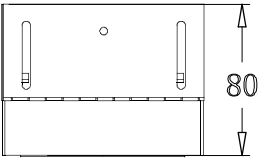
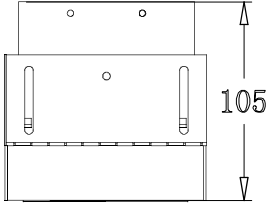
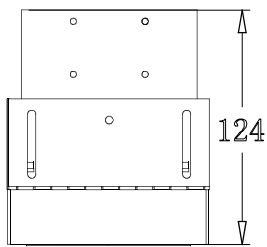
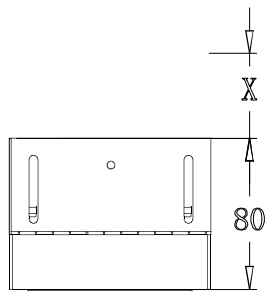
GX8.5

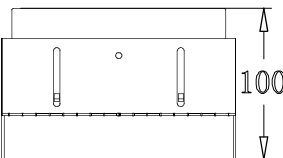
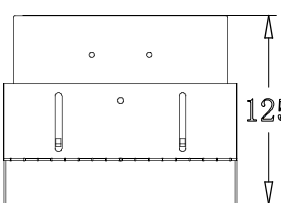
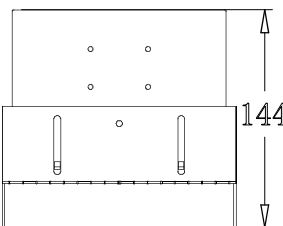
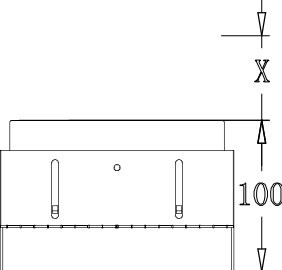
G53

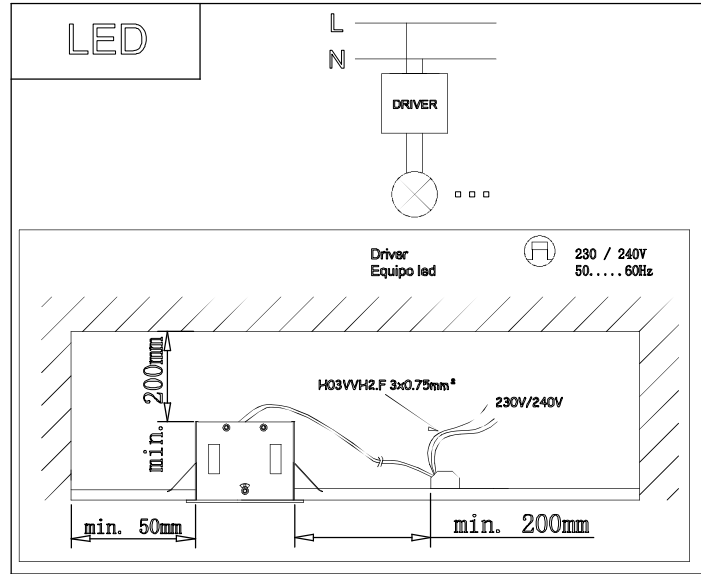
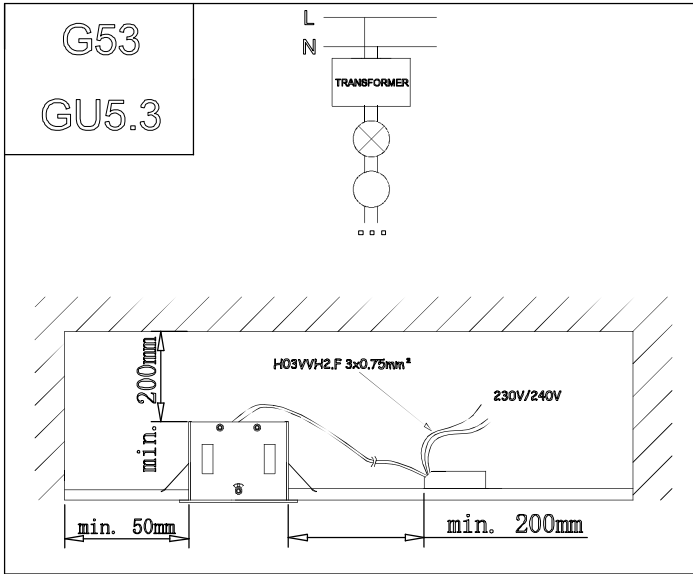
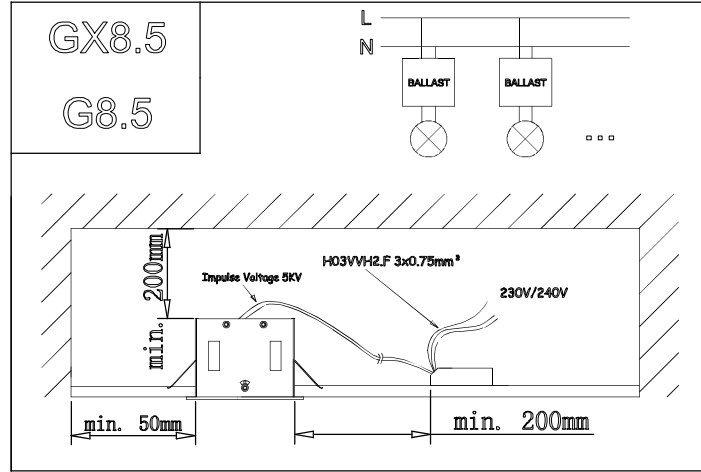
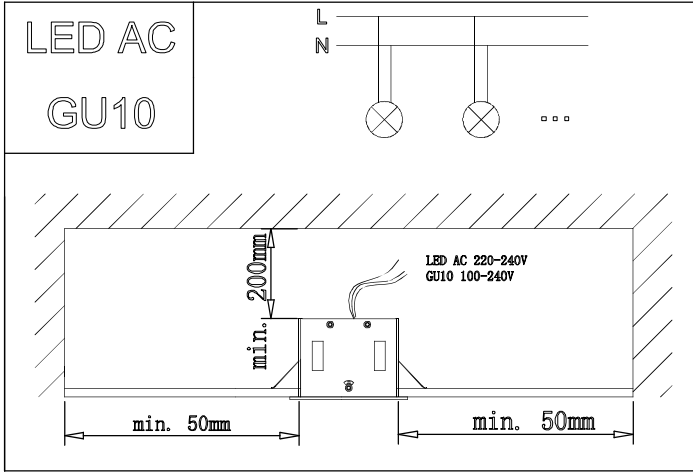
GU5.3





MULTIDIR EVO S				
VERSION	POSITION 1	POSITION 2	POSITION 3	POSITION 4
GU5.3	✓ Hmax 50mm	✓ Hmax 75mm	✓ Hmax 95mm	✓
GU10	X	✓ Hmax 50mm	✓ Hmax 75mm	✓

MULTIDIR EVO L				
VERSION	POSITION 1	POSITION 2	POSITION 3	POSITION 4
GU10	X	✓ Hmax 80mm	✓ Hmax 100mm	✓
GX8.5	X	✓	✓	✓
G53	✓ Hmax 77mm	✓ Hmax 102mm	✓ Hmax 122mm	✓
G8.5	X	✓	✓	✓
LED ZHAGA	X	X	✓	✓

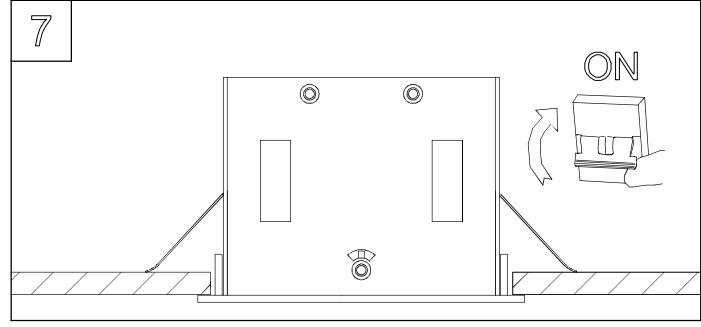
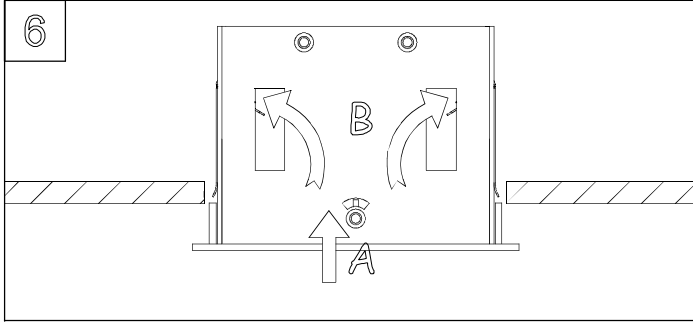
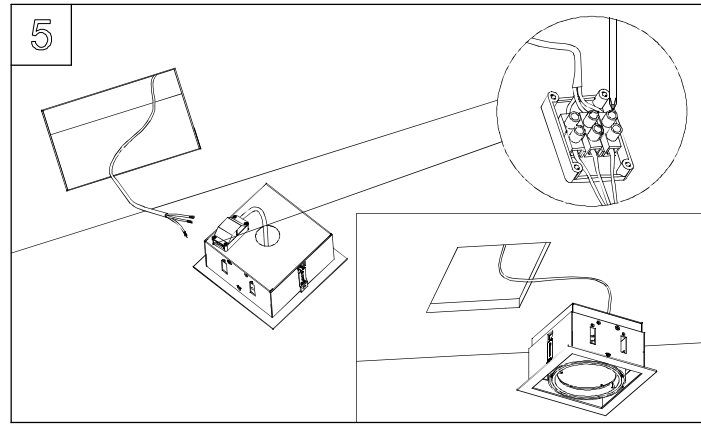


**TRIM VERSION**

4

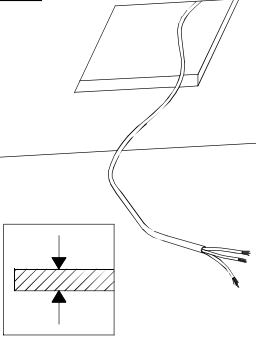
TRIM VERSION	Dimensions
SMALL 1 LAMP	110x110
SMALL 2 LAMP	208x110
SMALL 3 LAMP	306x110
BIG 1 LAMP	170x170
BIG 2 LAMP	302x170
BIG 3 LAMP	458x170

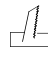
0-25mm



↓ TRIMLESS VERSION

3



TRIMLESS VERSION	
SMALL 1 LAMP	108x108
SMALL 2 LAMP	206x108
SMALL 3 LAMP	304x108
BIG 1 LAMP	156x156
BIG 2 LAMP	300x156
BIG 3 LAMP	444x156

0-25mm

