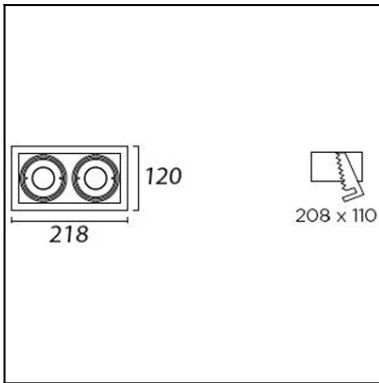




The photograph may not match the reference exactly. Please read the product description to identify the finish.



[Download photometric file .ldt / .ies](#)

Description

Housing for two MULTIDIR EVO S electronic kits (see kits available in Accessories). Version for installation with a visible surround. Surround, rotation rings and interior in white finish. Height-adjustable rear cover allowing the use of different lighting sources.

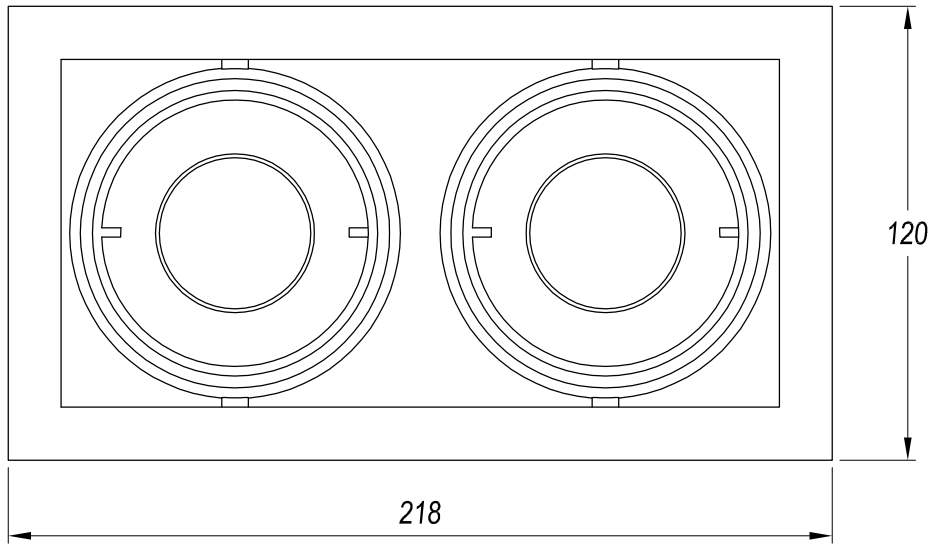
TECHNICAL CHARACTERISTICS

Type:	Accessory
Adjustable:	Adjustable $\pm 40^\circ$ around the two axis forming the horizontal plane.
IP Protection degrees:	IP23
Units per box:	8
Net Weight (Kg):	1.25
EAN:	8435381413309



MATERIALS / FINISHES

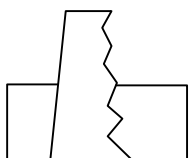
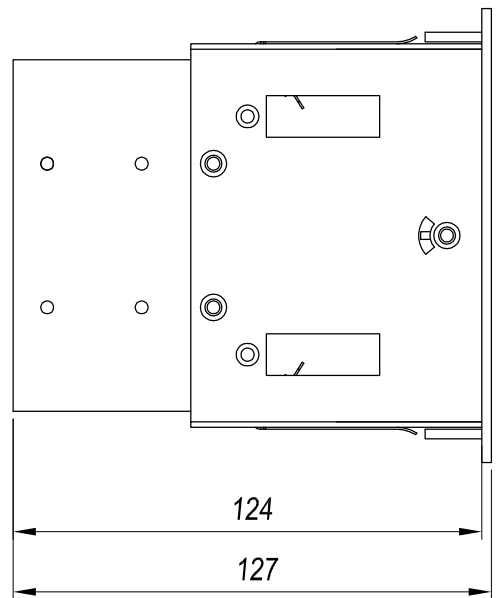
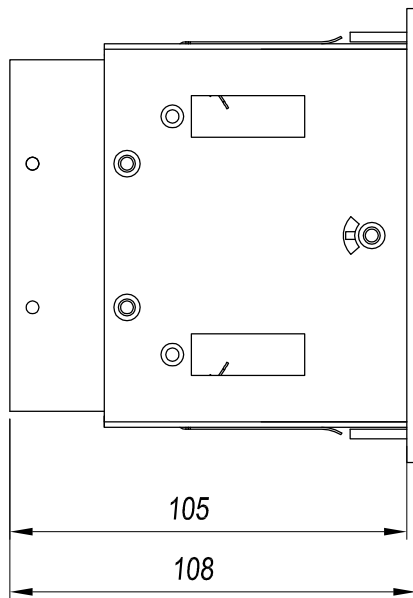
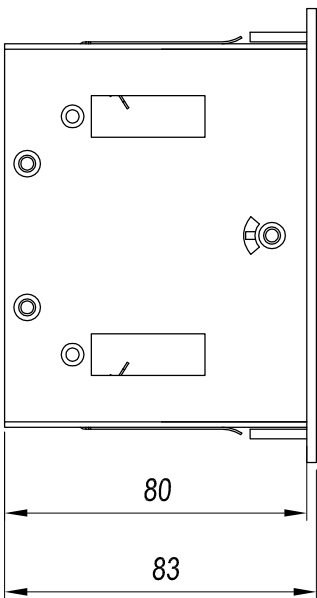
Structure material:	Steel Aluminium
Structure finish:	White White



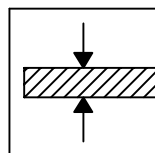
1

2

3



208x110 mm



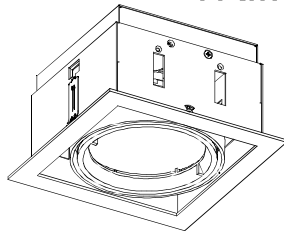
0-25mm

Scale 1:2 29-10-13

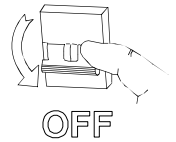
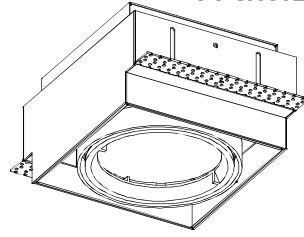
1

MULTIDIR
STRUCTURES

TRIM

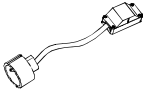


TRIMLESS

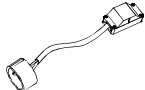


OFF

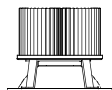
KIT GU10



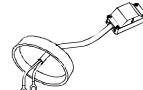
KIT GX8.5



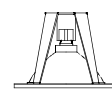
KIT LED / LED AC



KIT G53



KIT G8.5

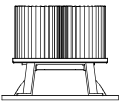


KIT GU5.3

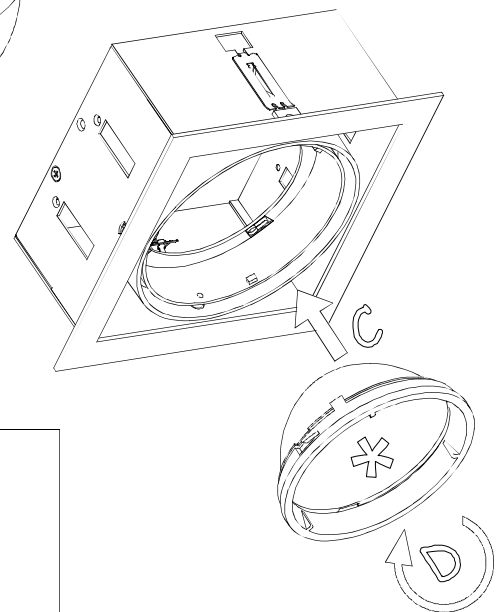
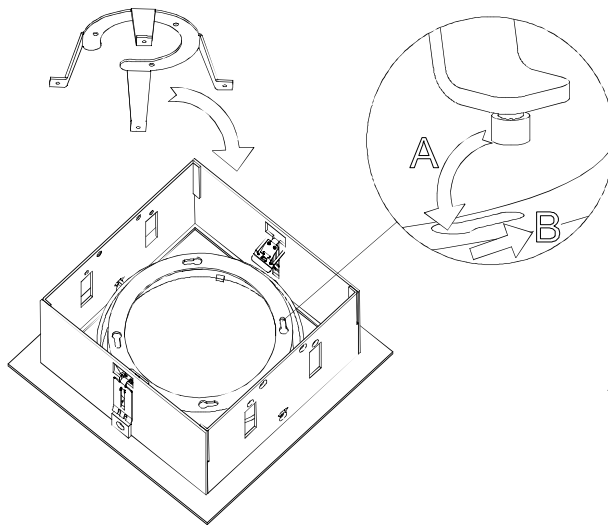
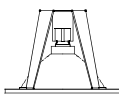


2

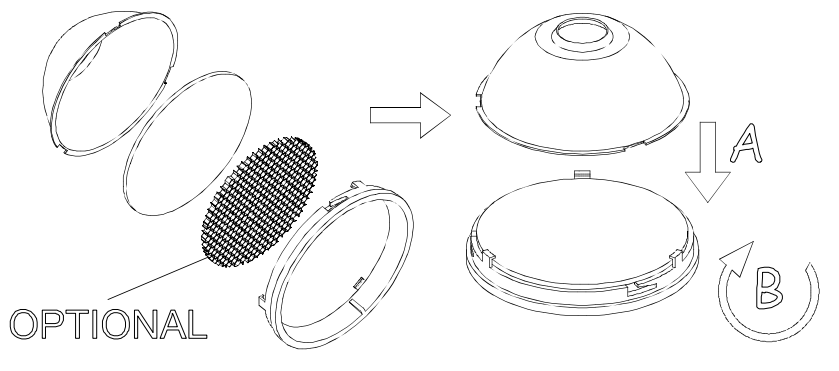
LED / LED AC



G8.5



*



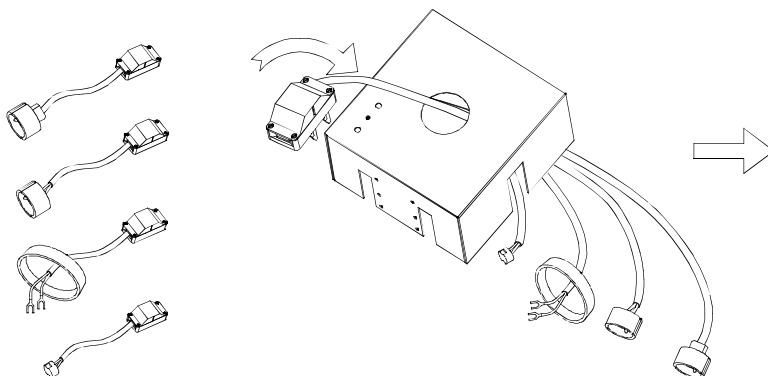
OPTIONAL

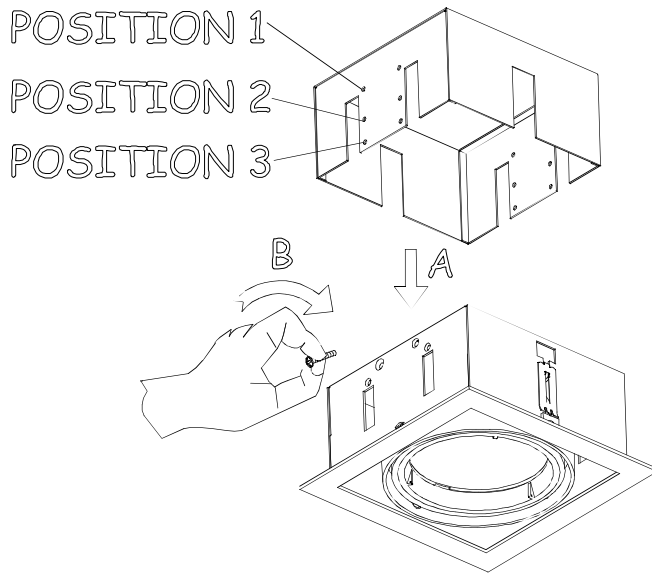
GU10

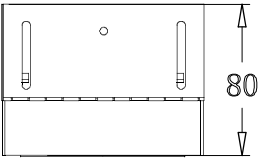
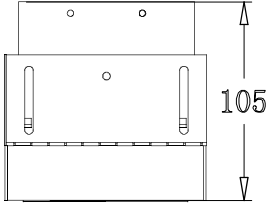
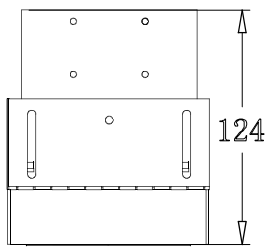
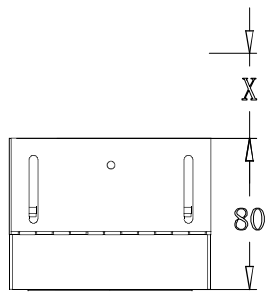
GX8.5

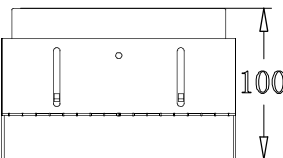
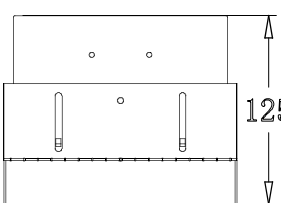
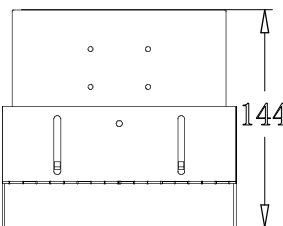
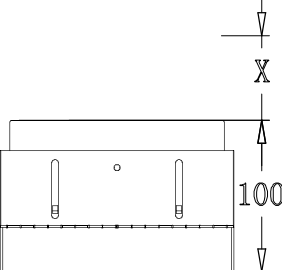
G53

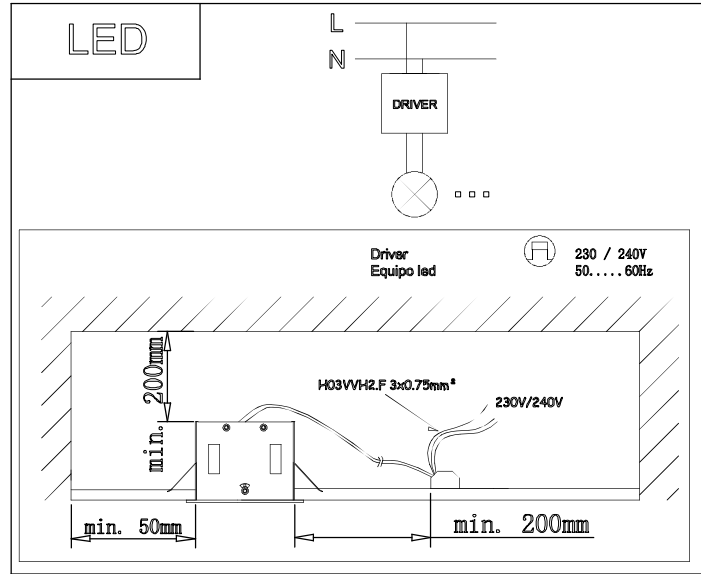
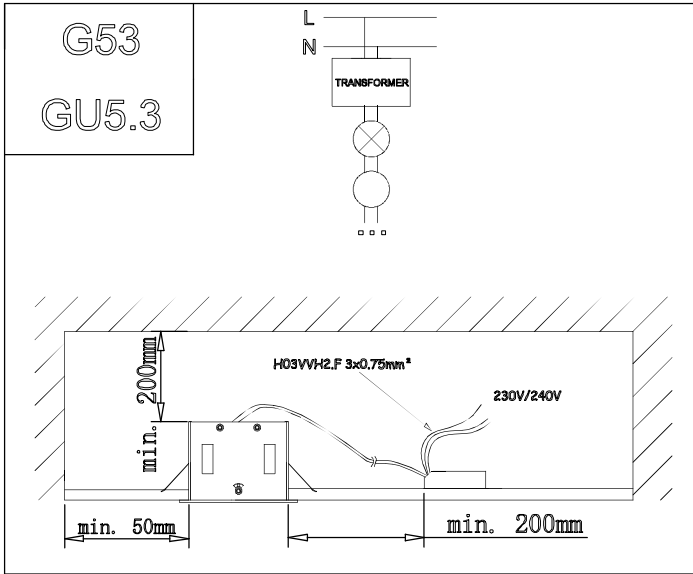
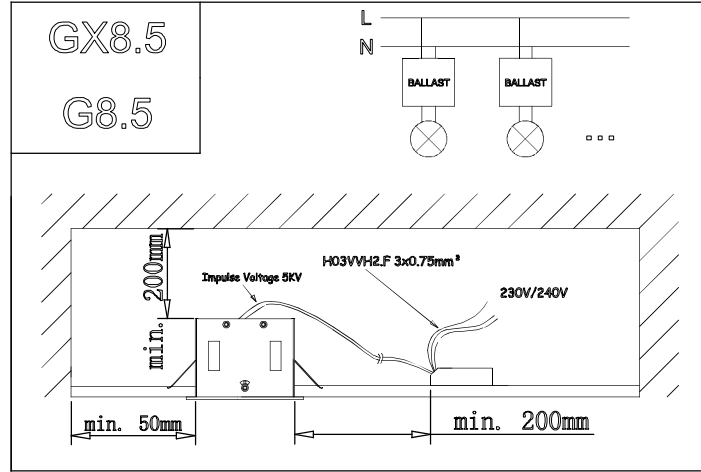
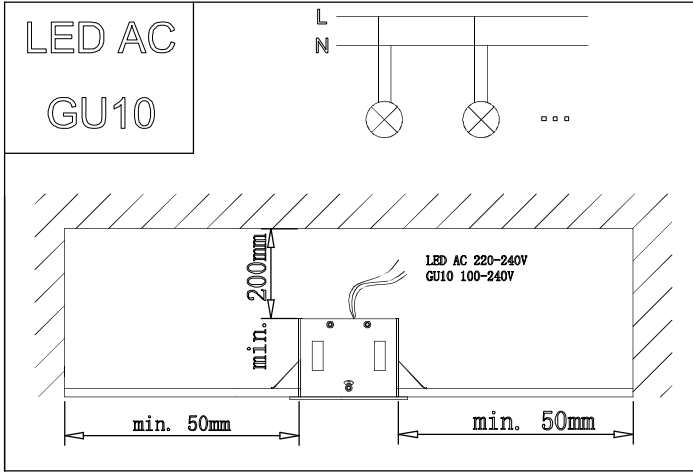
GU5.3





MULTIDIR EVO S				
VERSION	POSITION 1	POSITION 2	POSITION 3	POSITION 4
GU5.3	✓ Hmax 50mm	✓ Hmax 75mm	✓ Hmax 95mm	✓
GU10	X	✓ Hmax 50mm	✓ Hmax 75mm	✓

MULTIDIR EVO L				
VERSION	POSITION 1	POSITION 2	POSITION 3	POSITION 4
GU10	X	✓ Hmax 80mm	✓ Hmax 100mm	✓
GX8.5	X	✓	✓	✓
G53	✓ Hmax 77mm	✓ Hmax 102mm	✓ Hmax 122mm	✓
G8.5	X	✓	✓	✓
LED ZHAGA	X	X	✓	✓

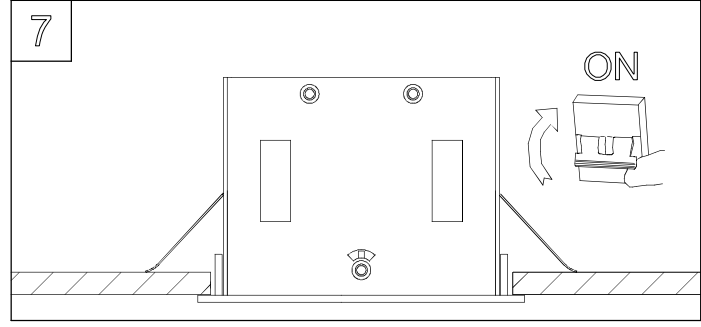
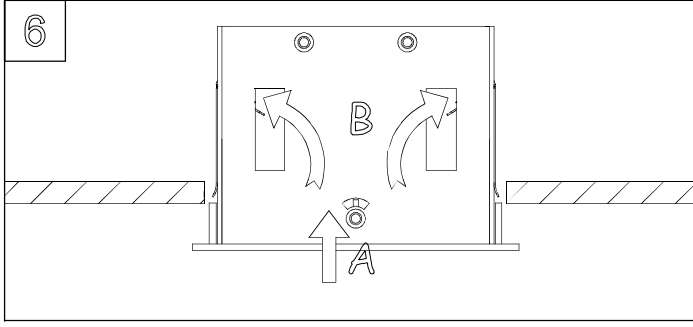
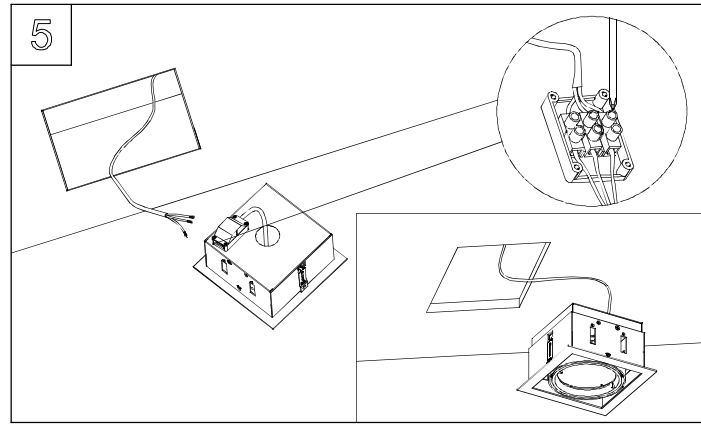


TRIM VERSION

4

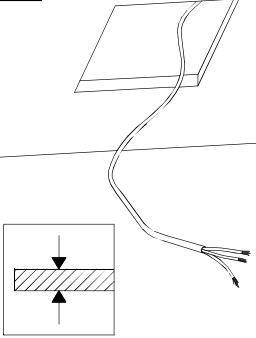
TRIM VERSION	Dimensions
SMALL 1 LAMP	110x110
SMALL 2 LAMP	208x110
SMALL 3 LAMP	306x110
BIG 1 LAMP	170x170
BIG 2 LAMP	302x170
BIG 3 LAMP	458x170

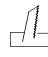
0-25mm



↓ TRIMLESS VERSION

3



TRIMLESS VERSION	
SMALL 1 LAMP	108x108
SMALL 2 LAMP	206x108
SMALL 3 LAMP	304x108
BIG 1 LAMP	156x156
BIG 2 LAMP	300x156
BIG 3 LAMP	444x156

0-25mm

