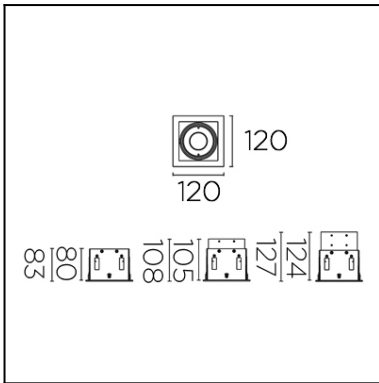




The photograph may not match the reference exactly. Please read the product description to identify the finish.



Download photometric file .ldt /.ies

### Description

Housing for a MULTIDIR EVO S electronic kit (see kits available in Accessories). Version for installation with a visible surround. Surround, rotation rings and interior in black finish. Height-adjustable rear cover allowing the use of different lighting sources.

### TECHNICAL CHARACTERISTICS

Type:	Accessory
Adjustable:	Adjustable $\pm 40^\circ$ around the two axis forming the horizontal plane.
IP Protection degrees:	IP23
Units per box:	12
Net Weight (Kg):	0.78
EAN:	8435381413286



### MATERIALS / FINISHES

<b>Structure material:</b>	Steel Aluminium
<b>Structure finish:</b>	Black Black

71-4032-N3-M2



LED module. For installation, the light must be completed with one of the different surrounds available.

<b>Structure material:</b>	Aluminium
<b>Structure finish:</b>	Grey
<b>Diffuser material:</b>	Polycarbonate
<b>Diffuser finish:</b>	Transparent



IP20

71-4033-N3-M2



LED module. For installation, the light must be completed with one of the different surrounds available.

<b>Structure material:</b>	Aluminium
<b>Structure finish:</b>	Grey
<b>Diffuser material:</b>	Polycarbonate
<b>Diffuser finish:</b>	Transparent



IP20

71-3885-N3-M2



LED module. For installation, the light must be completed with one of the different surrounds available.

<b>Structure material:</b>	Aluminium
<b>Structure finish:</b>	Grey
<b>Diffuser material:</b>	Polycarbonate
<b>Diffuser finish:</b>	Transparent



IP20

71-3886-N3-M2



LED module. For installation, the light must be completed with one of the different surrounds available.

<b>Structure material:</b>	Aluminium
<b>Structure finish:</b>	Grey
<b>Diffuser material:</b>	Polycarbonate
<b>Diffuser finish:</b>	Transparent

IP20

**71-4032-14-M2**

LED module. For installation, the light must be completed with one of the different surrounds available.

**Structure material:** Aluminium  
**Structure finish:** White  
**Diffuser material:** Polycarbonate  
**Diffuser finish:** Transparent



IP20

**71-4033-14-M2**

LED module. For installation, the light must be completed with one of the different surrounds available.

**Structure material:** Aluminium  
**Structure finish:** White  
**Diffuser material:** Polycarbonate  
**Diffuser finish:** Transparent



IP20

**71-3885-14-M2**

LED module. For installation, the light must be completed with one of the different surrounds available.

**Structure material:** Aluminium  
**Structure finish:** White  
**Diffuser material:** Polycarbonate  
**Diffuser finish:** Transparent



IP20

**71-3886-14-M2**

LED module. For installation, the light must be completed with one of the different surrounds available.

**Structure material:** Aluminium  
**Structure finish:** White  
**Diffuser material:** Polycarbonate  
**Diffuser finish:** Transparent



IP20

**71-5156-14-M2V1**

LED module. For installation, the light must be completed with one of the different surrounds available.

**Structure material:** Aluminium  
**Structure finish:** White  
**Diffuser material:** Polycarbonate  
**Diffuser finish:** Transparent



IP20

**71-5157-14-M2V1**

LED module. For installation, the light must be completed with one of the different surrounds available.

**Structure material:** Aluminium  
**Structure finish:** White  
**Diffuser material:** Polycarbonate  
**Diffuser finish:** Transparent

IP20

**71-5086-14-M2V1**

LED module. For installation, the light must be completed with one of the different surrounds available.

**Structure material:** Aluminium  
**Structure finish:** White  
**Diffuser material:** Polycarbonate  
**Diffuser finish:** Transparent

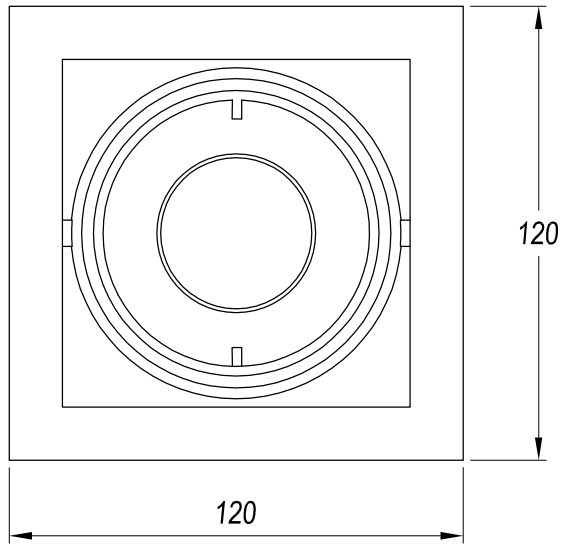
IP20

**71-5087-14-M2V1**

LED module. For installation, the light must be completed with one of the different surrounds available.

**Structure material:** Aluminium  
**Structure finish:** White  
**Diffuser material:** Polycarbonate  
**Diffuser finish:** Transparent

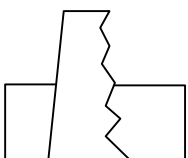
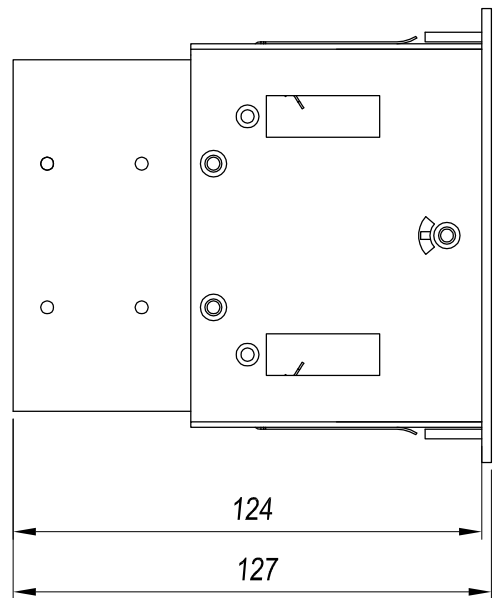
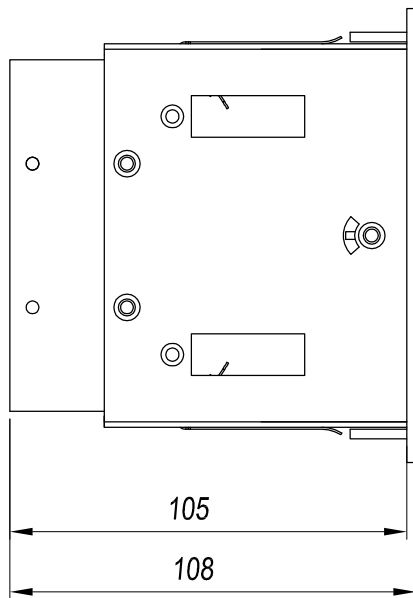
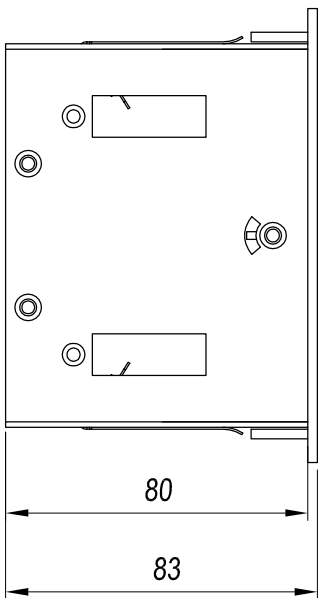
IP20



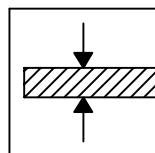
1

2

3



110x110 mm



0-25mm

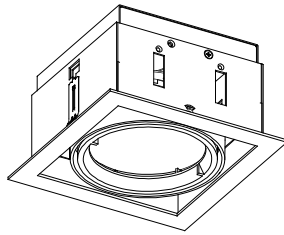
Scale 1:2

29-10-13

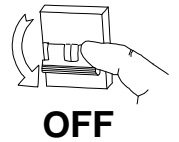
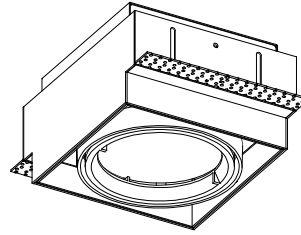
1

MULTIDIR STRUCTURES

TRIM

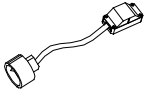


TRIMLESS

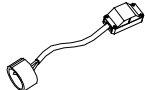


OFF

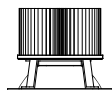
KIT GU10



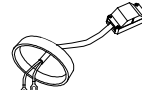
KIT GX8.5



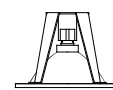
KIT LED / LED AC



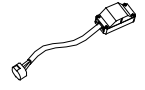
KIT G53



KIT G8.5

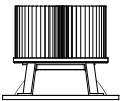


KIT GU5.3

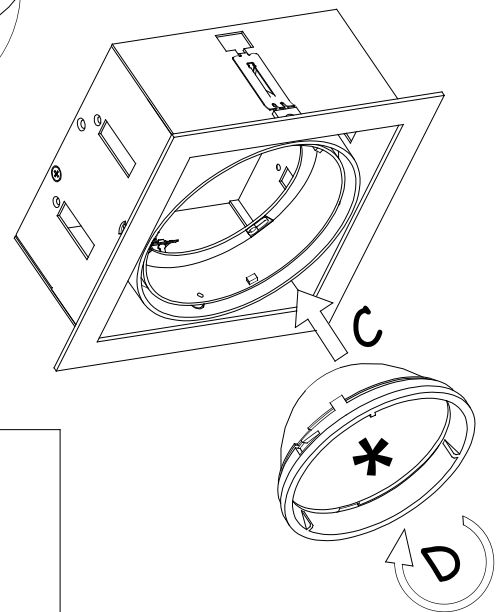
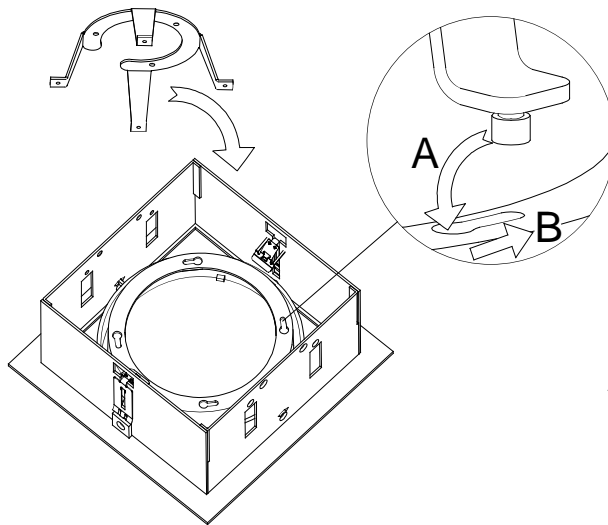
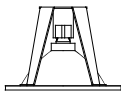


2

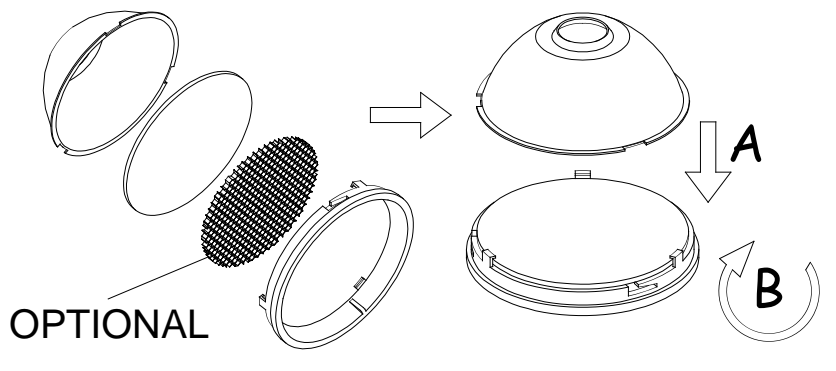
LED / LED AC



G8.5



\*



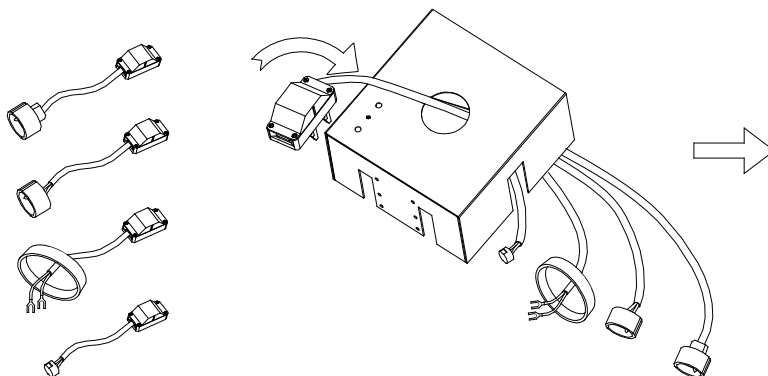
OPTIONAL

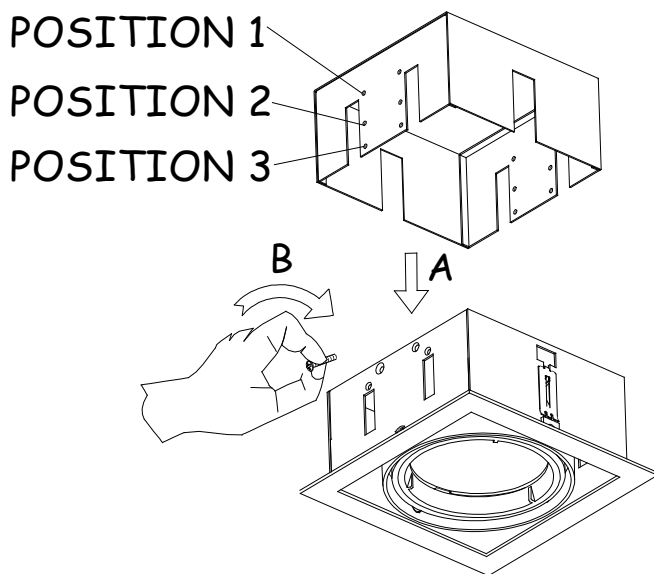
GU10

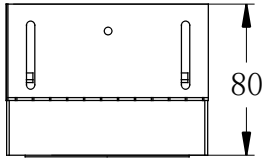
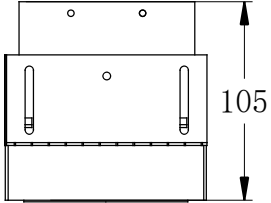
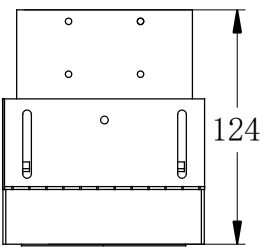
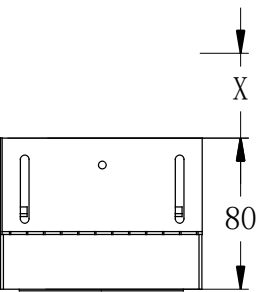
GX8.5

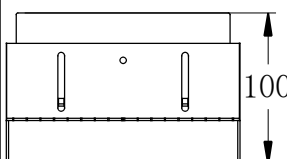
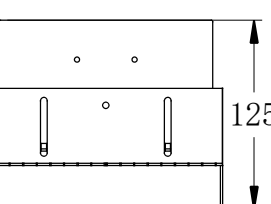
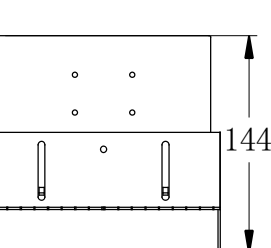
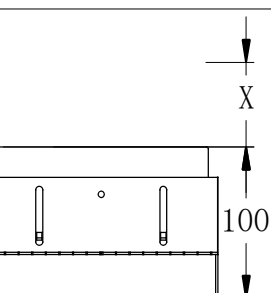
G53

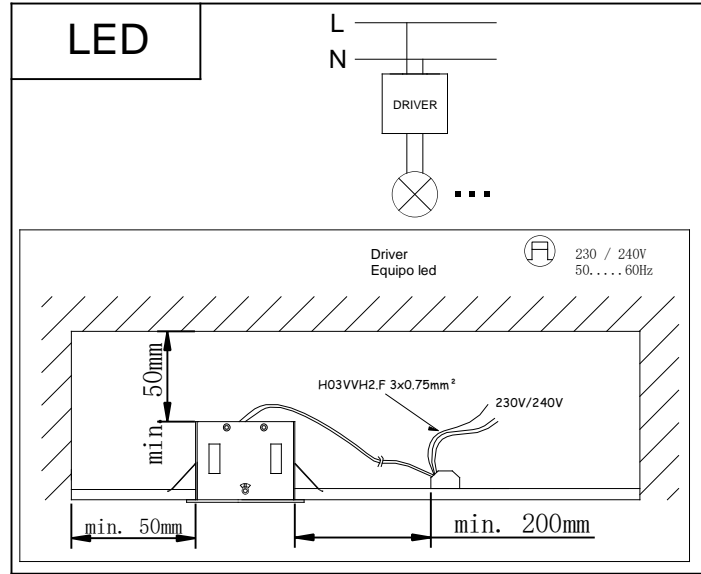
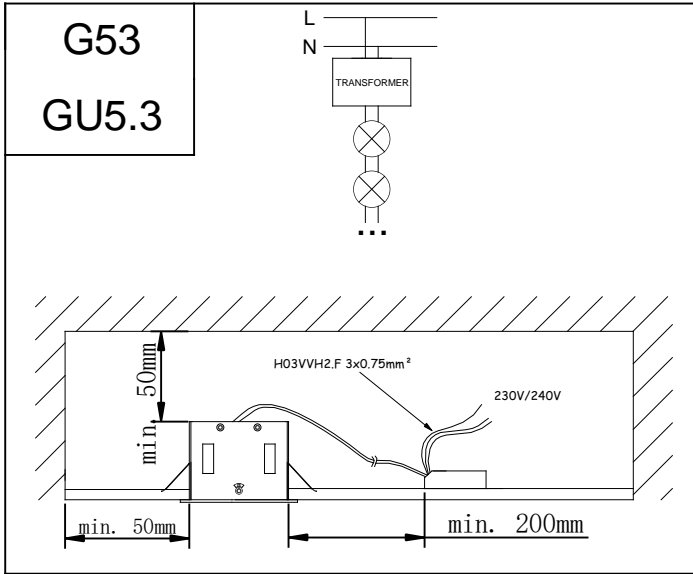
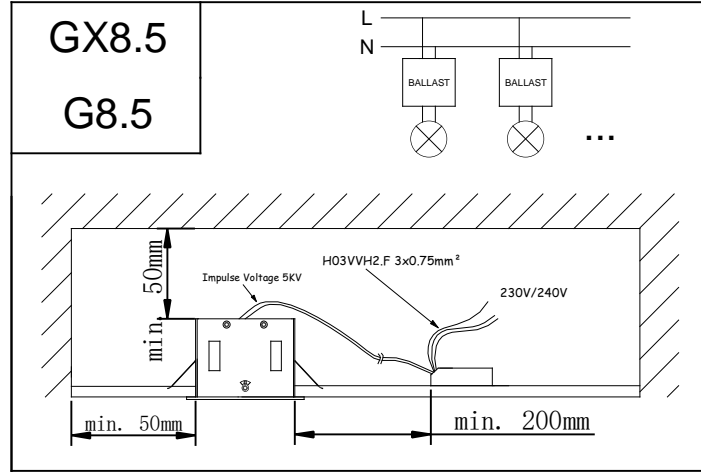
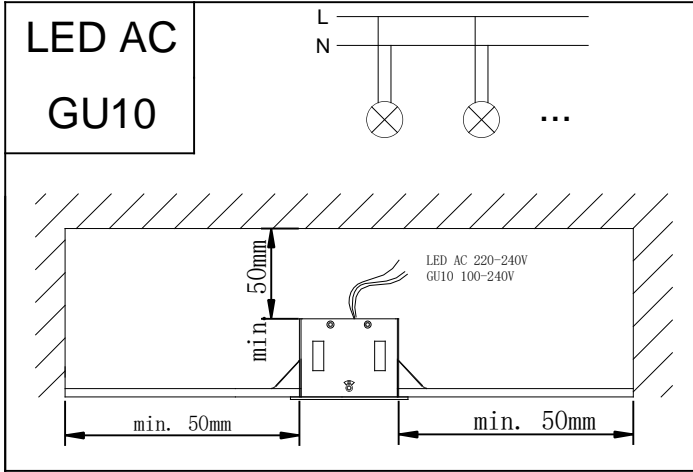
GU5.3





<b>MULTIDIR EVO S</b>				
<b>VERSION</b>	<b>POSITION 1</b>	<b>POSITION 2</b>	<b>POSITION 3</b>	<b>POSITION 4</b>
<b>GU5.3</b>	✓ Hmax 50mm	✓ Hmax 75mm	✓ Hmax 95mm	✓
<b>GU10</b>	X	✓ Hmax 50mm	✓ Hmax 75mm	✓

<b>MULTIDIR EVO L</b>				
<b>VERSION</b>	<b>POSITION 1</b>	<b>POSITION 2</b>	<b>POSITION 3</b>	<b>POSITION 4</b>
<b>GU10</b>	X	✓ Hmax 80mm	✓ Hmax 100mm	✓
<b>GX8.5</b>	X	✓	✓	✓
<b>G53</b>	✓ Hmax 77mm	✓ Hmax 102mm	✓ Hmax 122mm	✓
<b>G8.5</b>	X	✓	✓	✓
<b>LED ZHAGA</b>	X	X	✓	✓

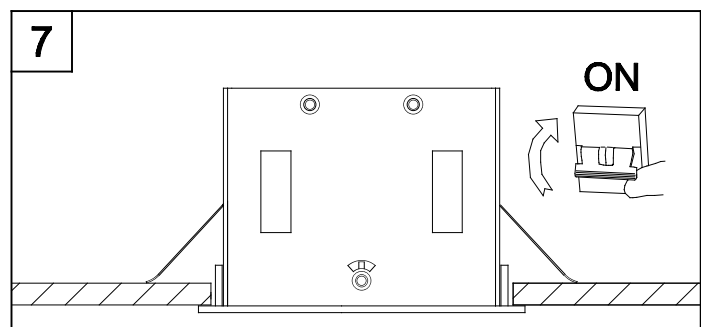
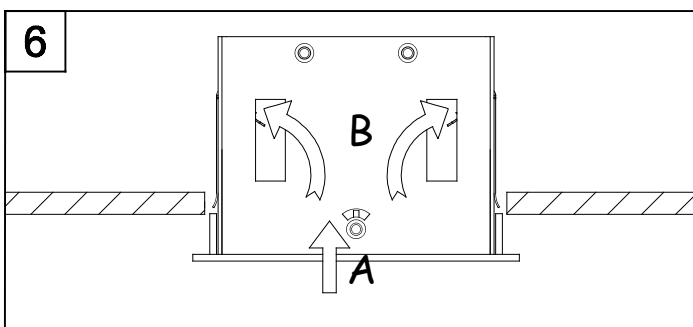
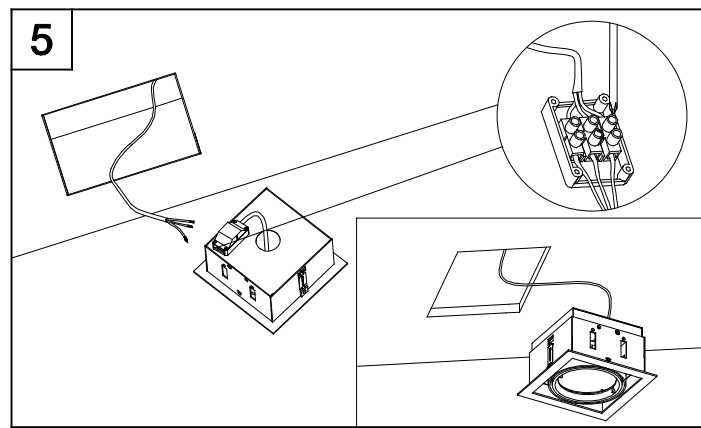


**TRIM VERSION**

**4**

0-25mm

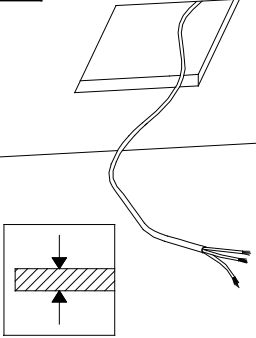
TRIM VERSION	
SMALL 1 LAMP	110x110
SMALL 2 LAMP	208x110
SMALL 3 LAMP	306x110
BIG 1 LAMP	160x160
BIG 2 LAMP	302x160
BIG 3 LAMP	445x160

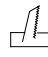




**↓ TRIMLESS VERSION**

**3**



TRIMLESS VERSION	
SMALL 1 LAMP	108x108
SMALL 2 LAMP	206x108
SMALL 3 LAMP	304x108
BIG 1 LAMP	156x156
BIG 2 LAMP	300x156
BIG 3 LAMP	444x156

0-25mm

