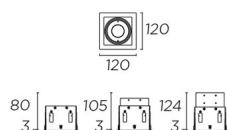


71-2942-14-00

V0

**MULTIDIR EVO S Accessory**

110x110

0-25

**Description**

Recessed for indoor use.

For downlighting. Cardan system for very easy alignment. Lens and reflector combination for optimum control of illumination and minimal residual halo. Adjustable light source. Structure material: Steel, Aluminium. Structure finish: White. Warranty: 2 Years.11Product net weight (Kg): 0.7801Product length (mm): 1201Product width or diameter (mm): 1201Product height (mm): 1241Ø of the hole for recessing (mm): 110x1101Permitted ceiling thickness: 0-2511Luminaire not suitable for coating with insulation materials. IP: IP23.

**Finish**  
White

**Material**  
Steel  
Aluminium

**TECHNICAL CHARACTERISTICS****Luminaire**

Warranty: 2 Years

**Logistics**

EAN Code: 8435381413279

Net Weight (Kg): 0.780

Weight in Kg (packaged): 0.906

Packing: 125 x 130 x 95

Masterbox: 12

The photograph may not match the reference exactly. Please read the product description to identify the finish.

## OPTIONAL ACCESSORIES

---



### 71-4032-N3-M2

LED module. For installation, the light must be completed with one of the different surrounds available.

Structure material: Aluminium  
Net Weight (Kg): 0.000



### 71-4033-N3-M2

LED module. For installation, the light must be completed with one of the different surrounds available.

Structure material: Aluminium  
Net Weight (Kg): 0.000



### 71-3885-N3-M2

LED module. For installation, the light must be completed with one of the different surrounds available.

Structure material: Aluminium  
Net Weight (Kg): 0.000



### 71-3886-N3-M2

LED module. For installation, the light must be completed with one of the different surrounds available.

Structure material: Aluminium  
Net Weight (Kg): 0.000



### 71-4032-14-M2

LED module. For installation, the light must be completed with one of the different surrounds available.

Structure material: Aluminium  
Dimensions: 50 x 0 x 0  
Net Weight (Kg): 0.120



### 71-4033-14-M2

LED module. For installation, the light must be completed with one of the different surrounds available.

Structure material: Aluminium  
Dimensions: 50 x 0 x 0  
Net Weight (Kg): 0.120



### 71-3885-14-M2

LED module. For installation, the light must be completed with one of the different surrounds available.

Structure material: Aluminium  
Dimensions: 50 x 0 x 0  
Net Weight (Kg): 0.065



### 71-3886-14-M2

LED module. For installation, the light must be completed with one of the different surrounds available.

Structure material: Aluminium  
Dimensions: 50 x 0 x 0  
Net Weight (Kg): 0.065



**71-5156-14-M2V1**

LED module. For installation, the light must be completed with one of the different surrounds available.

Structure material: Aluminium  
Dimensions: 50 x 80 x 0  
Net Weight (Kg): 0.190



**71-5157-14-M2V1**

LED module. For installation, the light must be completed with one of the different surrounds available.

Structure material: Aluminium  
Dimensions: 50 x 80 x 0  
Net Weight (Kg): 0.190



**71-5086-14-M2V1**

LED module. For installation, the light must be completed with one of the different surrounds available.

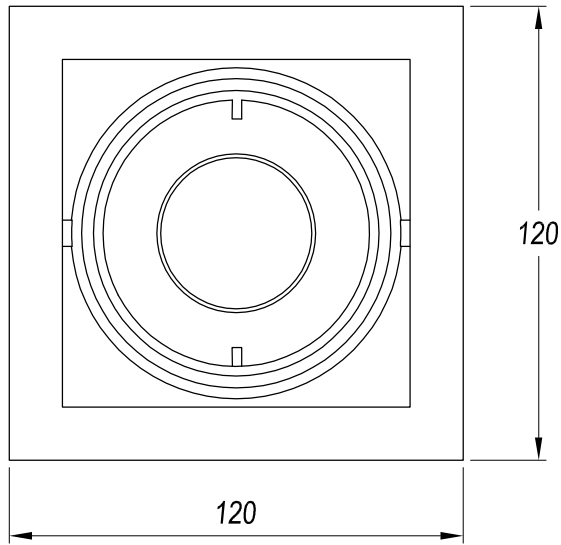
Structure material: Aluminium  
Dimensions: 50 x 80 x 0  
Net Weight (Kg): 0.095



**71-5087-14-M2V1**

LED module. For installation, the light must be completed with one of the different surrounds available.

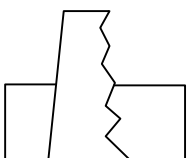
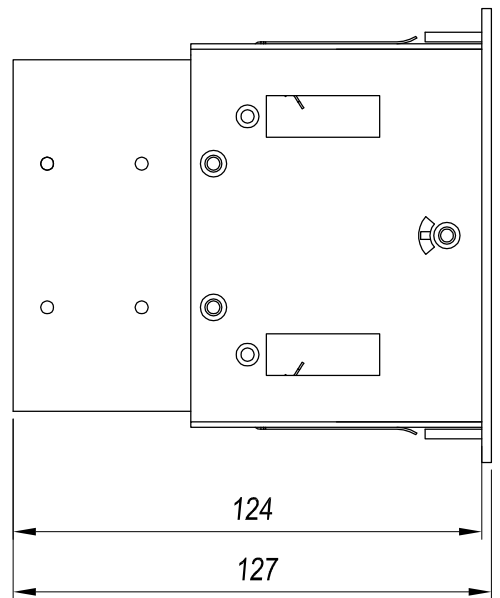
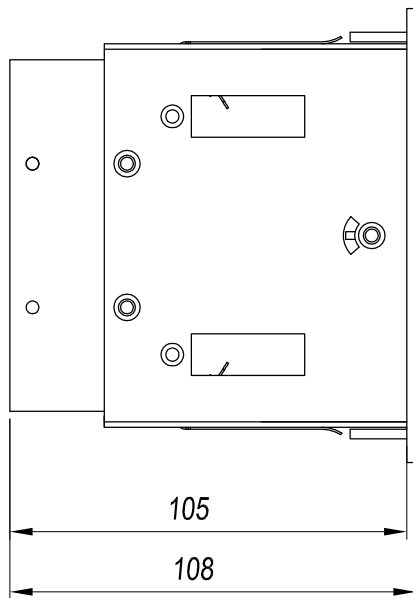
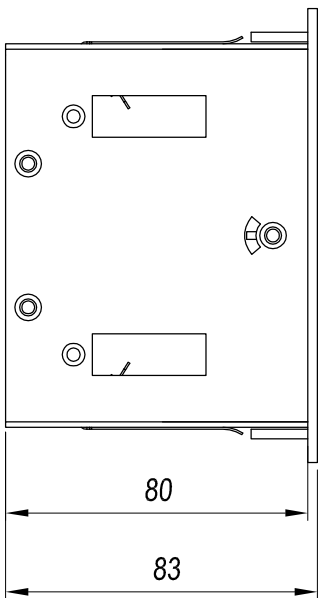
Structure material: Aluminium  
Dimensions: 50 x 80 x 0  
Net Weight (Kg): 0.095



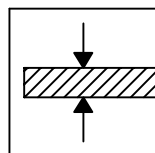
1

2

3



110x110 mm



0-25mm

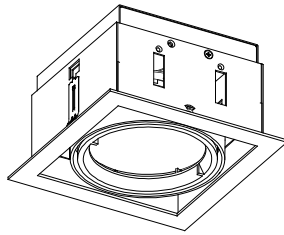
Scale 1:2

29-10-13

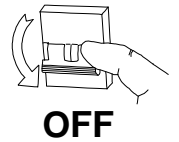
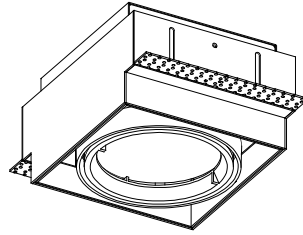
1

MULTIDIR STRUCTURES

TRIM

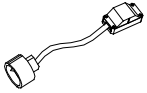


TRIMLESS

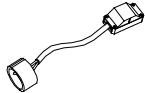


OFF

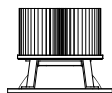
KIT GU10



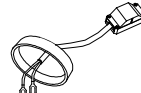
KIT GX8.5



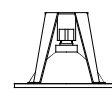
KIT LED / LED AC



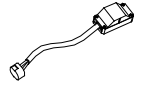
KIT G53



KIT G8.5

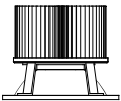


KIT GU5.3

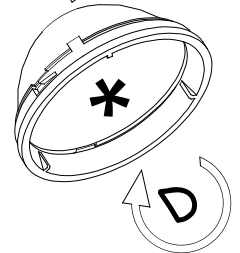
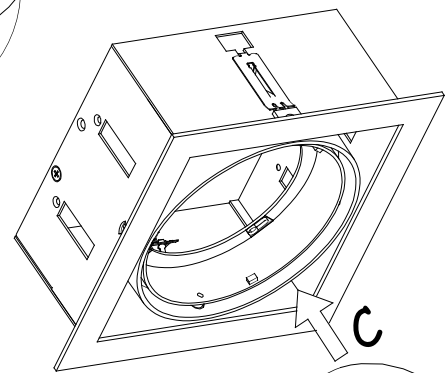
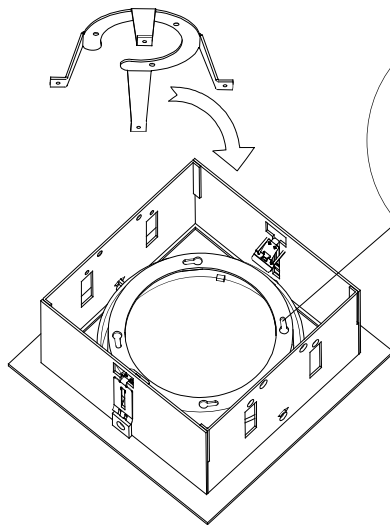
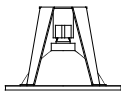


2

LED / LED AC

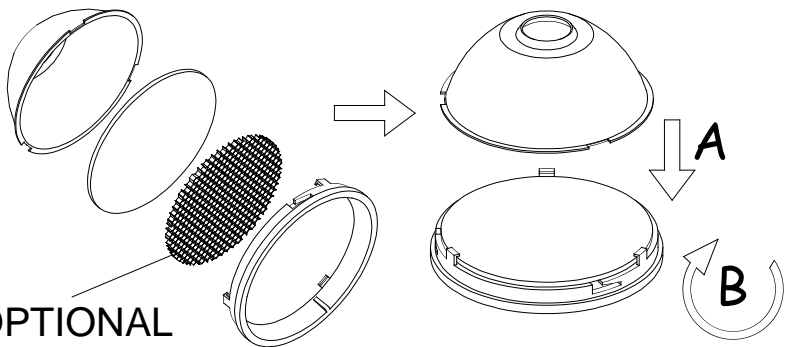


G8.5



\*

OPTIONAL

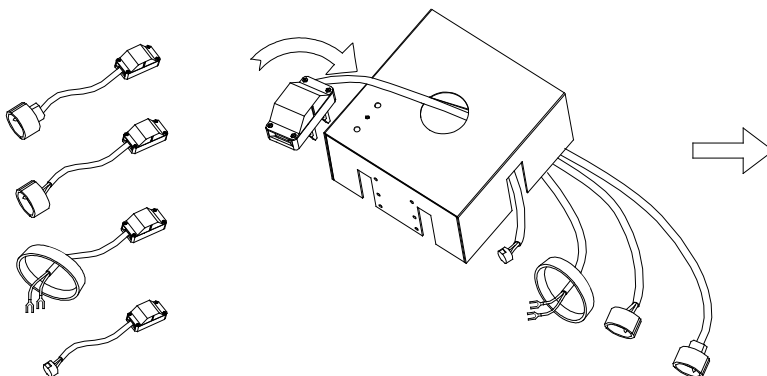


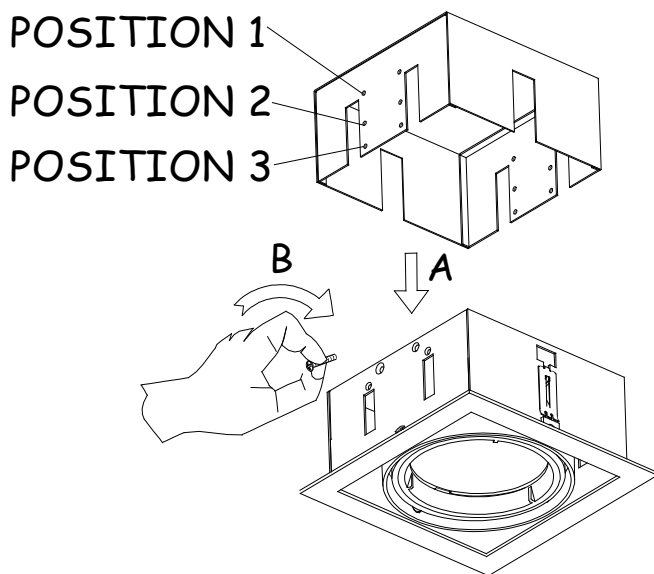
GU10

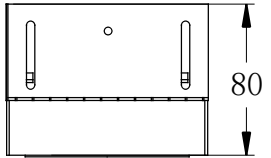
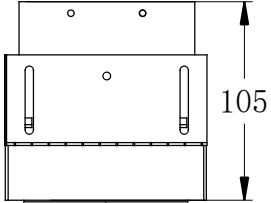
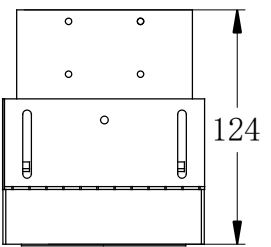
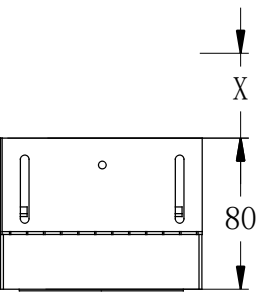
GX8.5

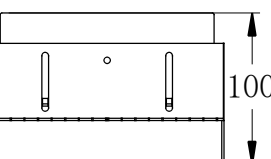
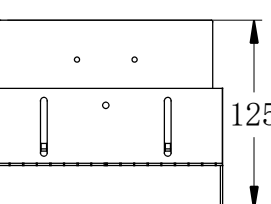
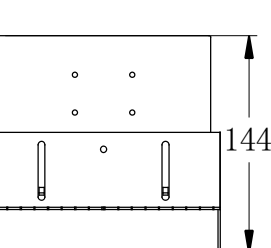
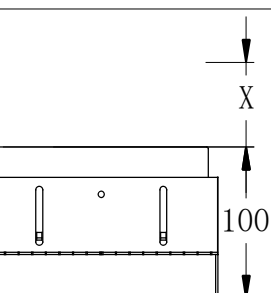
G53

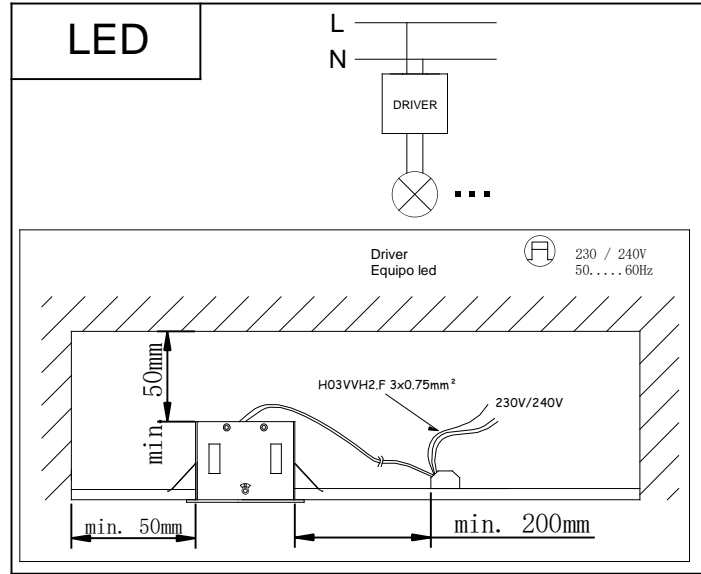
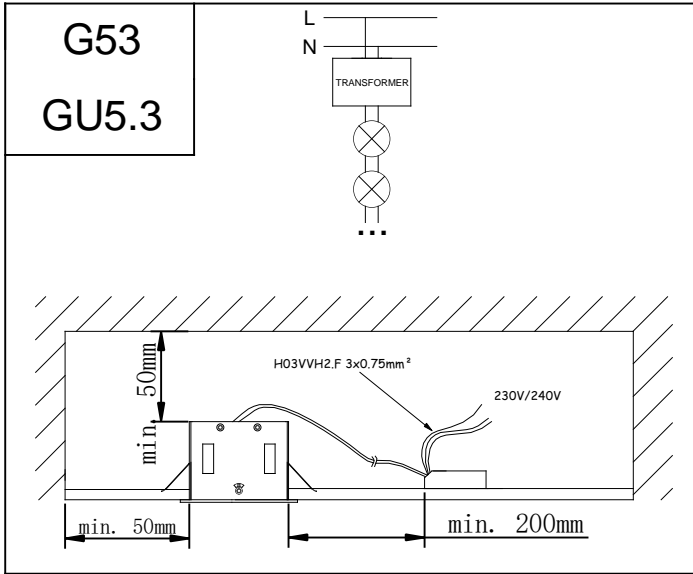
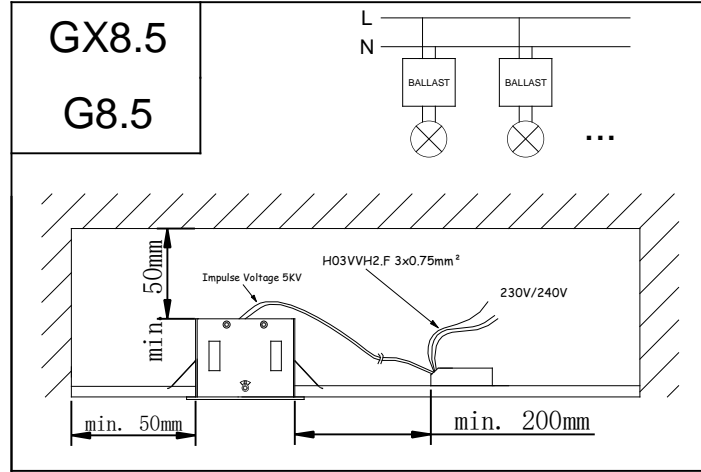
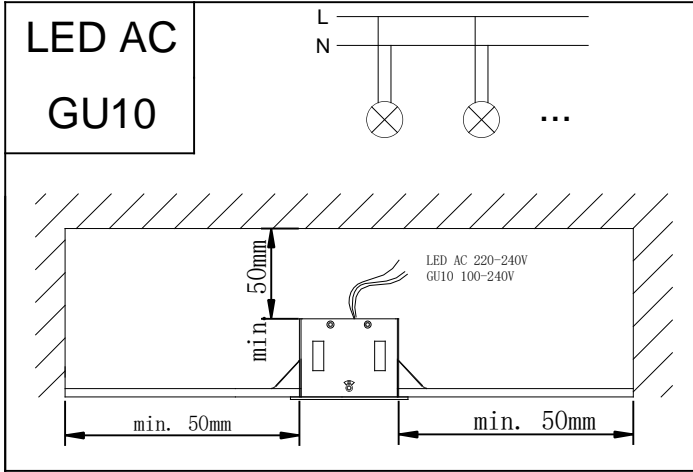
GU5.3





<b>MULTIDIR EVO S</b>				
<b>VERSION</b>	<b>POSITION 1</b>	<b>POSITION 2</b>	<b>POSITION 3</b>	<b>POSITION 4</b>
<b>GU5.3</b>	✓ Hmax 50mm	✓ Hmax 75mm	✓ Hmax 95mm	✓
<b>GU10</b>	X	✓ Hmax 50mm	✓ Hmax 75mm	✓

<b>MULTIDIR EVO L</b>				
<b>VERSION</b>	<b>POSITION 1</b>	<b>POSITION 2</b>	<b>POSITION 3</b>	<b>POSITION 4</b>
<b>GU10</b>	X	✓ Hmax 80mm	✓ Hmax 100mm	✓
<b>GX8.5</b>	X	✓	✓	✓
<b>G53</b>	✓ Hmax 77mm	✓ Hmax 102mm	✓ Hmax 122mm	✓
<b>G8.5</b>	X	✓	✓	✓
<b>LED ZHAGA</b>	X	X	✓	✓

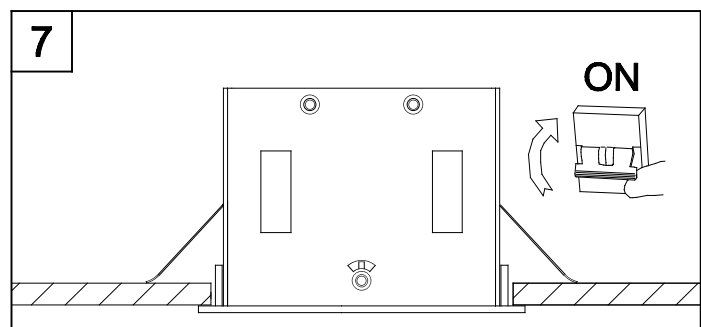
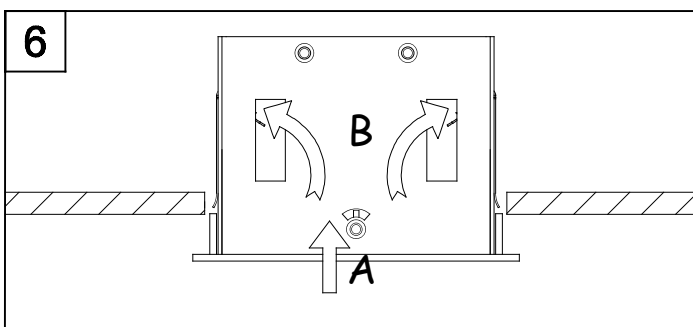
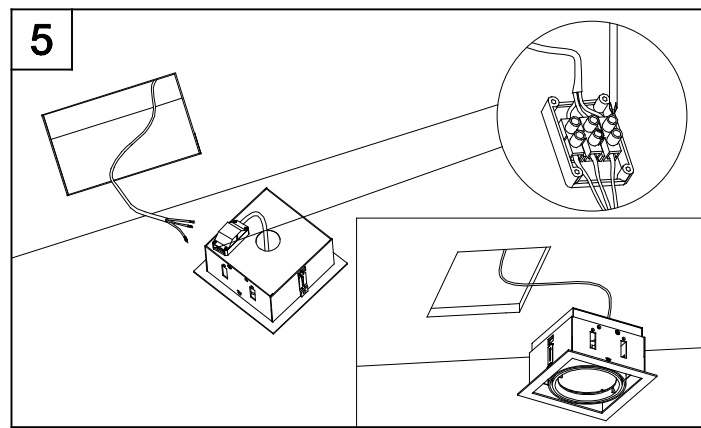


**TRIM VERSION**

**4**

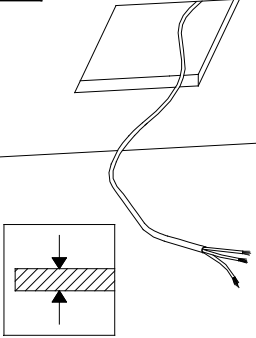
0-25mm

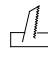
TRIM VERSION	
SMALL 1 LAMP	110x110
SMALL 2 LAMP	208x110
SMALL 3 LAMP	306x110
BIG 1 LAMP	160x160
BIG 2 LAMP	302x160
BIG 3 LAMP	445x160



**↓ TRIMLESS VERSION**

**3**



TRIMLESS VERSION	
SMALL 1 LAMP	108x108
SMALL 2 LAMP	206x108
SMALL 3 LAMP	304x108
BIG 1 LAMP	156x156
BIG 2 LAMP	300x156
BIG 3 LAMP	444x156

0-25mm

