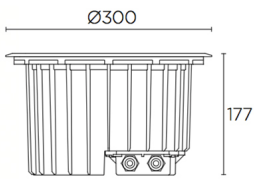


Gea COB Led Uplight recessed



Description

Floor recessed for indoor and outdoor use.

For uplighting. Electronic components are in a sealed internal compartment, completely separate from the compartment where the connection terminals are located. The unit will withstand a static weight of 1,800 Kg and the occasional transit of slow-moving vehicles. Includes 2 anti-glare accessories. Includes 2 reflectors. Includes flush-mounting box. Suitable for installation in marine environments. Includes 2 cable outlets to facilitate chain mounting. Adjustable light source. Structure material: Stainless steel AISI316, High purity aluminium. Structure finish: Polished, Black. Diffuser material: Glass. Diffuser finish: Tempered. UV protection. Warranty: 5 Years.

Finish

Polished
Black
Tempered

Material

Stainless steel AISI316
High purity aluminium
Glass

 IP65/IP67 IK10  24°  ±15°  360°  1

TECHNICAL CHARACTERISTICS

Light source

Light source: LED CREE
Output (W): 34.7W
Total power consumption (W): 35 W
Color temperature: Warm White - 3000K
CRI: 80
Real Lumen: 3681
Nominal Lumen: 3820
Qty Leds: 1
Lm/Real W: 105
Life Time: 50.000h L90B10
Bin / Grup: 30H
MacAdam steps: 2
UGR: 14.0
Photobiological risk: RG1

GEAR

Brand: MEANWELL
Gear included: Yes, electronic
Voltage / Frequency:
100-240VAC/50-60Hz
Power Factor: 0.95
Dimming protocol: 1..10V
Flickering: 2.2%

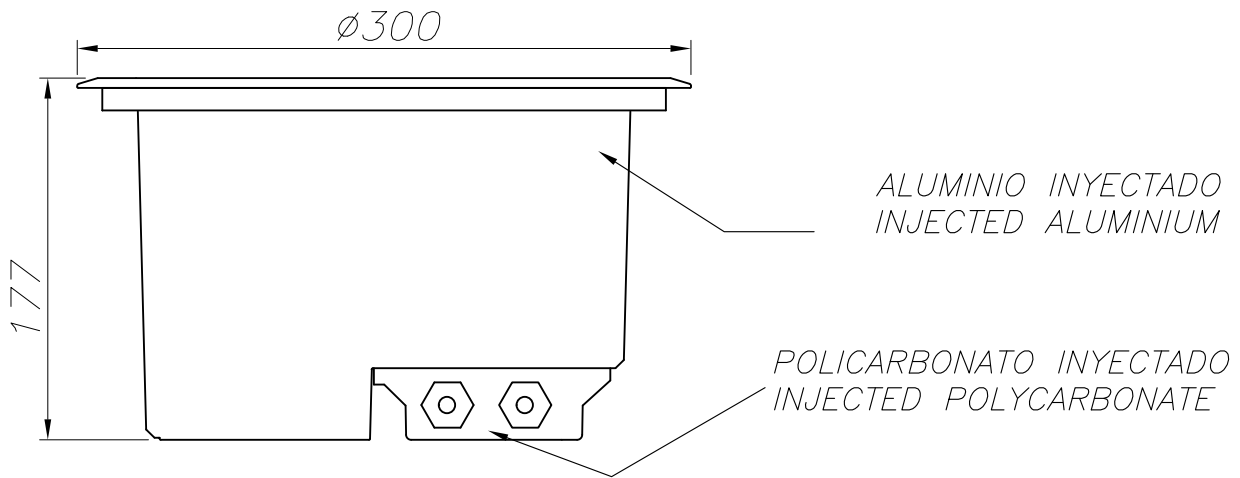
Luminaire

Double cable exit: Yes
Drainage: No
Recessed: Si
Seaside: Yes
Uv Protection: Yes
Warranty: 5 Years

Logistics

Energy Efficiency: LED A++
EAN Code: 8435381499235
Net Weight (Kg): 5.965
Weight in Kg (packaged): 6.817
Packing: - x - x -
Masterbox: 1

The photograph may not match the reference exactly. Please read the product description to identify the finish.



ACERO INOXIDABLE AISI 316
STAINLESS STEEL AISI 316

CRISTAL TEMPLADO TRANSPARENTE
TEMPERED TRANSPARENT GLASS

