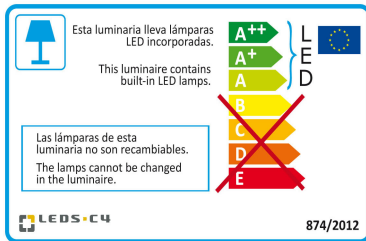




The photograph may not match the reference exactly. Please read the product description to identify the finish.

[Download photometric file .ldt / .ies](#)



[Click on image to download energy label](#)

### TECHNICAL CHARACTERISTICS

Type:	UPLIGHT RECESSED
Adjustable:	Adjustable 360° on the vertical axis.
IP Protection degrees:	IP67
IK Protection degrees:	IK10
Recessed in-ground suitable for pedestrian crossing:	Si
Light source 1:	30 x LED Osram 24W Neutral white - 4000K 2995 lm <sup>(N)</sup> CRI 80
Total power consumption (W):	27.5W
Voltage / Frequency:	100-240V/50-60Hz
Warranty (Years):	2
Option to extend the guarantee (Years):	5
Units per box:	4
Net Weight (Kg):	3.2
EAN:	8435381440008



### MATERIALS / FINISHES

**Structure material:** Stainless steel AISI316  
High purity aluminium

**Diffuser material:** Glass

**Structure finish:** Polished  
Black

**Diffuser finish:** Tempered

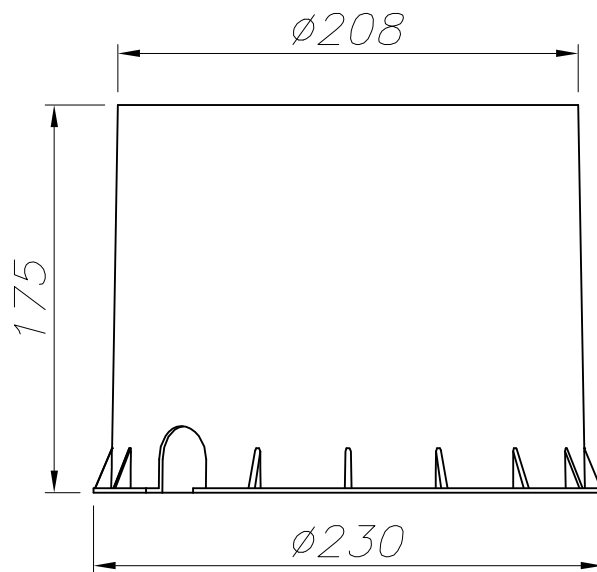
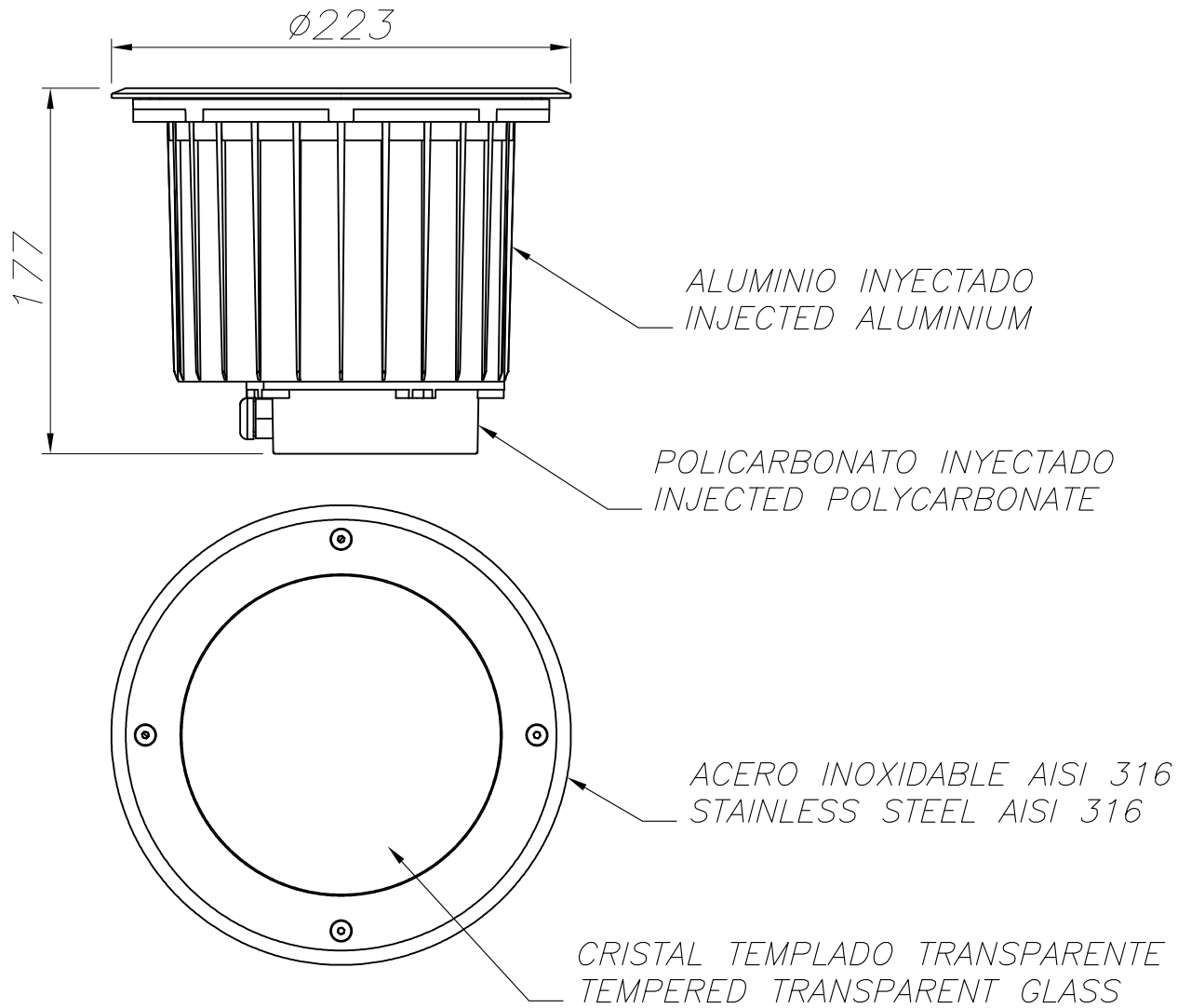
### GEAR

Multi-voltage electronic gear included (100-240V / 50-60Hz)

Lm<sup>(N)</sup>: Nominal flow of light in actual working conditions. Its actual flow will depend on the environmental conditions and the efficiency of the optics and/or diffuser.

LEDS-C4 reserves the right to make the necessary technical changes they deem adequate, in order to improve the features of the product.

Please consult the sales team to clarify any doubt.



CAJA DE EMPOTRAR  
FLUSH FITTING BOX

