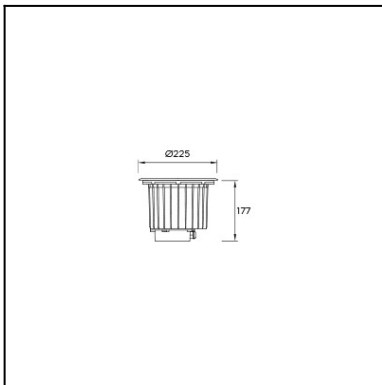




The photograph may not match the reference exactly. Please read the product description to identify the finish.



TECHNICAL CHARACTERISTICS

Type:	UPLIGHT RECESSED
Adjustable:	Adjustable $\pm 15^\circ$ on the vertical axis
IP Protection degrees:	IP67
IK Protection degrees:	IK10
Recessed in-ground suitable for pedestrian crossing:	Si
Light source 1:	1 x LED Cree 23W Warm White - 3000K 2784 lm ^(N) CRI 80
Total power consumption (W):	27.6W
Angle of the optics / Reflector:	15°, 60°
Voltage / Frequency:	100-240V/50-60Hz
Warranty (Years):	2
Option to extend the guarantee (Years):	5
Units per box:	4
Net Weight (Kg):	3.31
EAN:	8435381439972



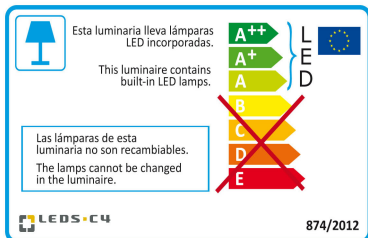
MATERIALS / FINISHES

Structure material:	Stainless steel AISI316 High purity aluminium	Diffuser material:	Glass
Structure finish:	Polished Black	Diffuser finish:	Tempered

GEAR

Multi-voltage electronic gear included (100-240V / 50-60Hz)

Download photometric file .ldt / .ies

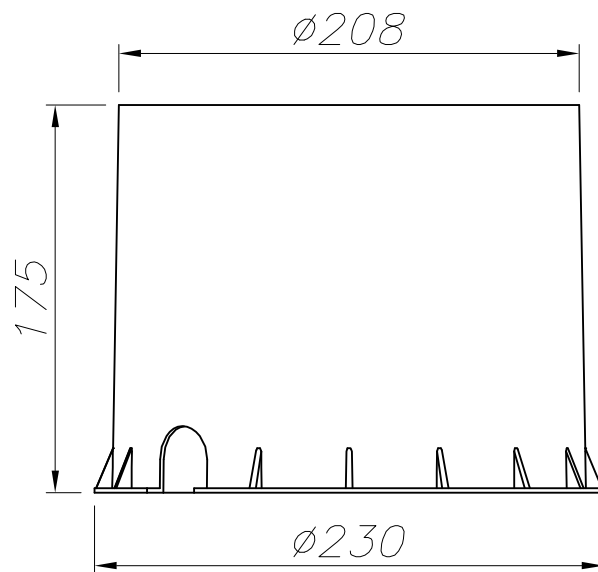
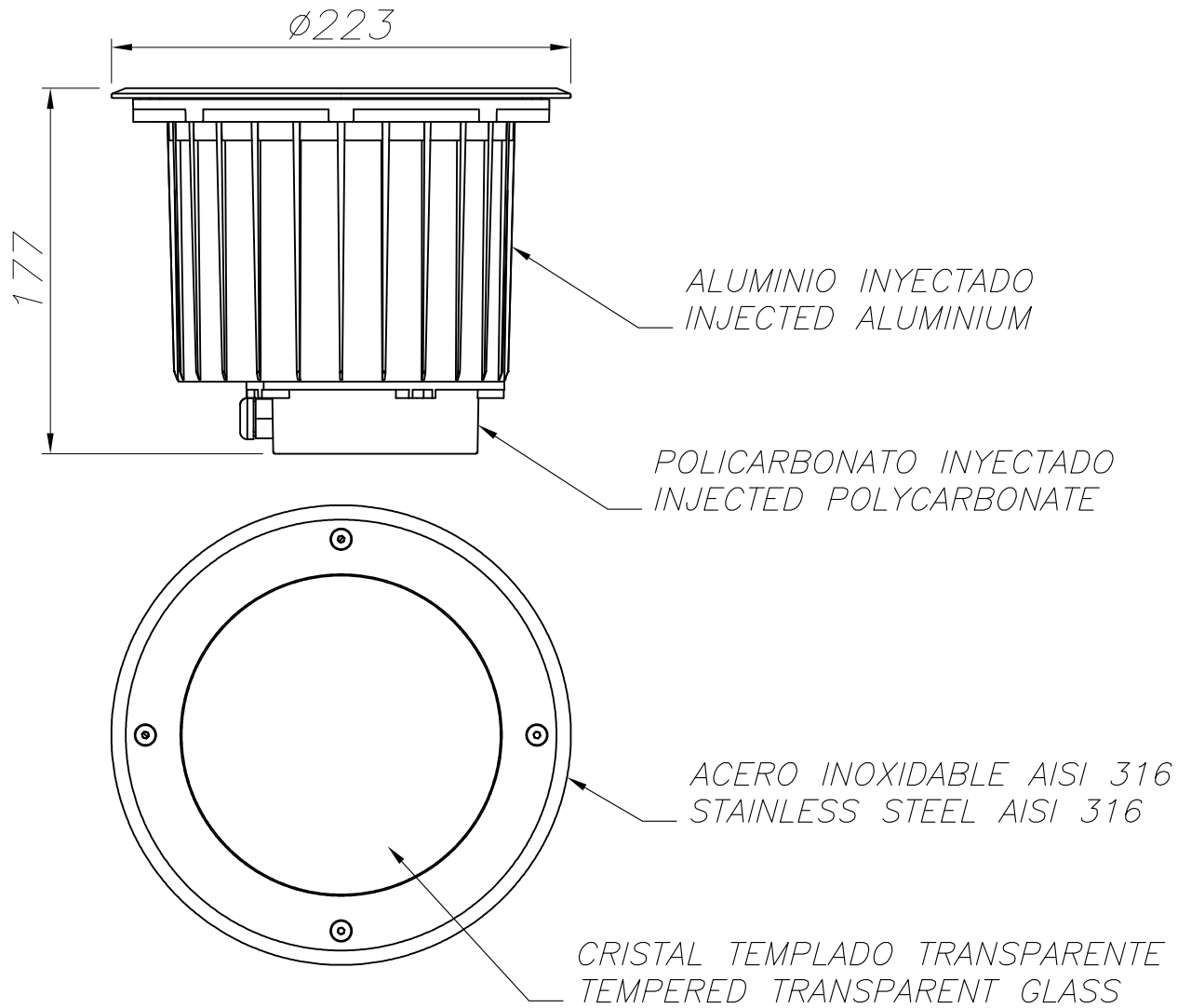


Click on image to download energy label

Lm^(N): Nominal flow of light in actual working conditions. Its actual flow will depend on the environmental conditions and the efficiency of the optics and/or diffuser.

LEDS-C4 reserves the right to make the necessary technical changes they deem adequate, in order to improve the features of the product.

Please consult the sales team to clarify any doubt.



CAJA DE EMPOTRAR
FLUSH FITTING BOX

