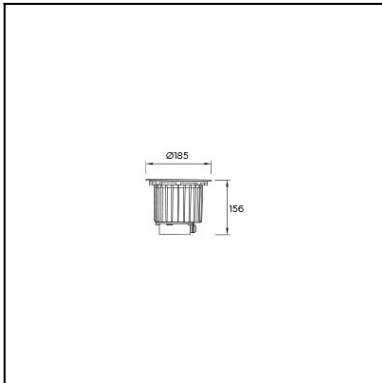




The photograph may not match the reference exactly. Please read the product description to identify the finish.

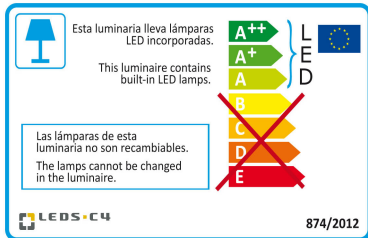


### TECHNICAL CHARACTERISTICS

Type:	UPLIGHT RECESSED
Adjustable:	Adjustable 360° on the vertical axis.
IP Protection degrees:	IP67
IK Protection degrees:	IK10
Recessed in-ground suitable for pedestrian crossing:	Si
Light source 1:	24 x LED 17W Warm White - 3000K 1785 lm <sup>(N)</sup> CRI 80
Total power consumption (W):	18.5W
Voltage / Frequency:	100-240V/50-60Hz
Warranty (Years):	2
Option to extend the guarantee (Years):	5
Units per box:	4
Net Weight (Kg):	1.96
EAN:	8435381439934



[Download photometric file .ldt / .ies](#)



[Click on image to download energy label](#)

### MATERIALS / FINISHES

<b>Structure material:</b>	Stainless steel AISI316 High purity aluminium	<b>Diffuser material:</b>	Glass
<b>Structure finish:</b>	Polished Black	<b>Diffuser finish:</b>	Tempered

### GEAR

Multi-voltage electronic gear included (100-240V / 50-60Hz)

Lm<sup>(N)</sup>: Nominal flow of light in actual working conditions. Its actual flow will depend on the environmental conditions and the efficiency of the optics and/or diffuser.

LEDS-C4 reserves the right to make the necessary technical changes they deem adequate, in order to improve the features of the product.

Please consult the sales team to clarify any doubt.

**Luminaire**

Code 55-9908-CA-CL  
Name Empotrable GEA 17W 3000K

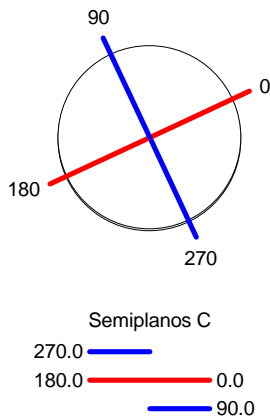
**Measur.**

Code 55-9908-CA-CL  
Name Empotrable GEA 17W 3000K

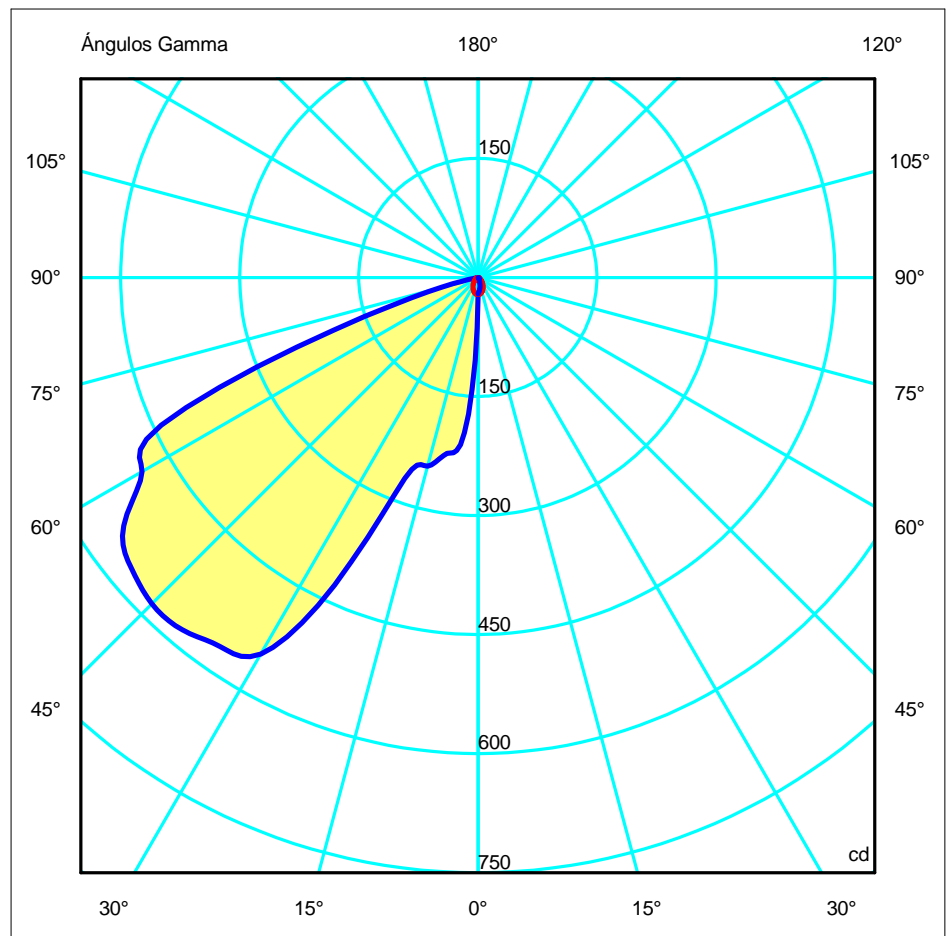
Luminaire Flux	618.26 lm	Luminaire Power	18.00 W	Efficacy	34.35 lm/W	Efficiency	100.00%
Lamps Flux	618.27 lm	Maximum value	581.10 cd	Position	C=270.00 G=45.00	CG Sym. on planes 270-90	
Round Recessed Luminaire Round Luminous Area	Diam. 185 mm Diam. 122 mm	Height	4 mm	Height	0 mm		
Horizontal Luminous Area Emitting area on Plane 0° Emitting area on Plane 90°	0.011690 m2 0.000000 m2 0.000000 m2	Emitting area on Plane 180° Emitting area on Plane 270° Glare area at 76°			0.000000 m2 0.000000 m2 0.002828 m2		
Coordinate system Date Measurement Distance	CG 03-05-2016 6.44	Symmetry Type Maximum Gamma Angle Measurement Flux			Sym. on planes 270-90 90 618.27 lm		
Operator Temperature Humidity Notes	Asselum T2 24.00 °C 41.00 %	Source voltage Source current Photocell			230.00 V Prc		

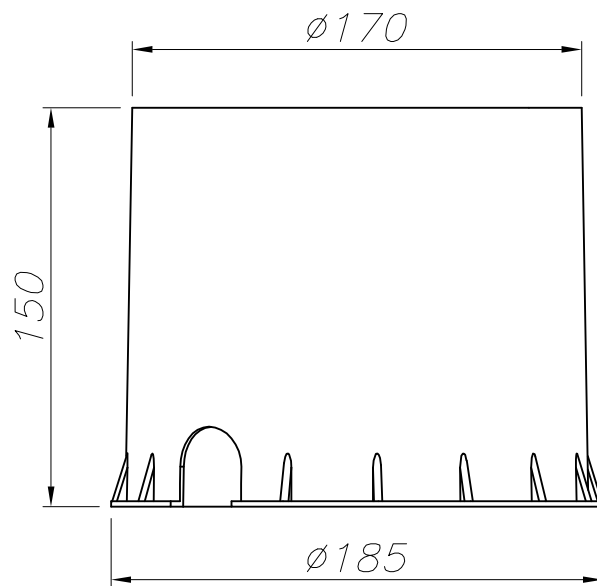
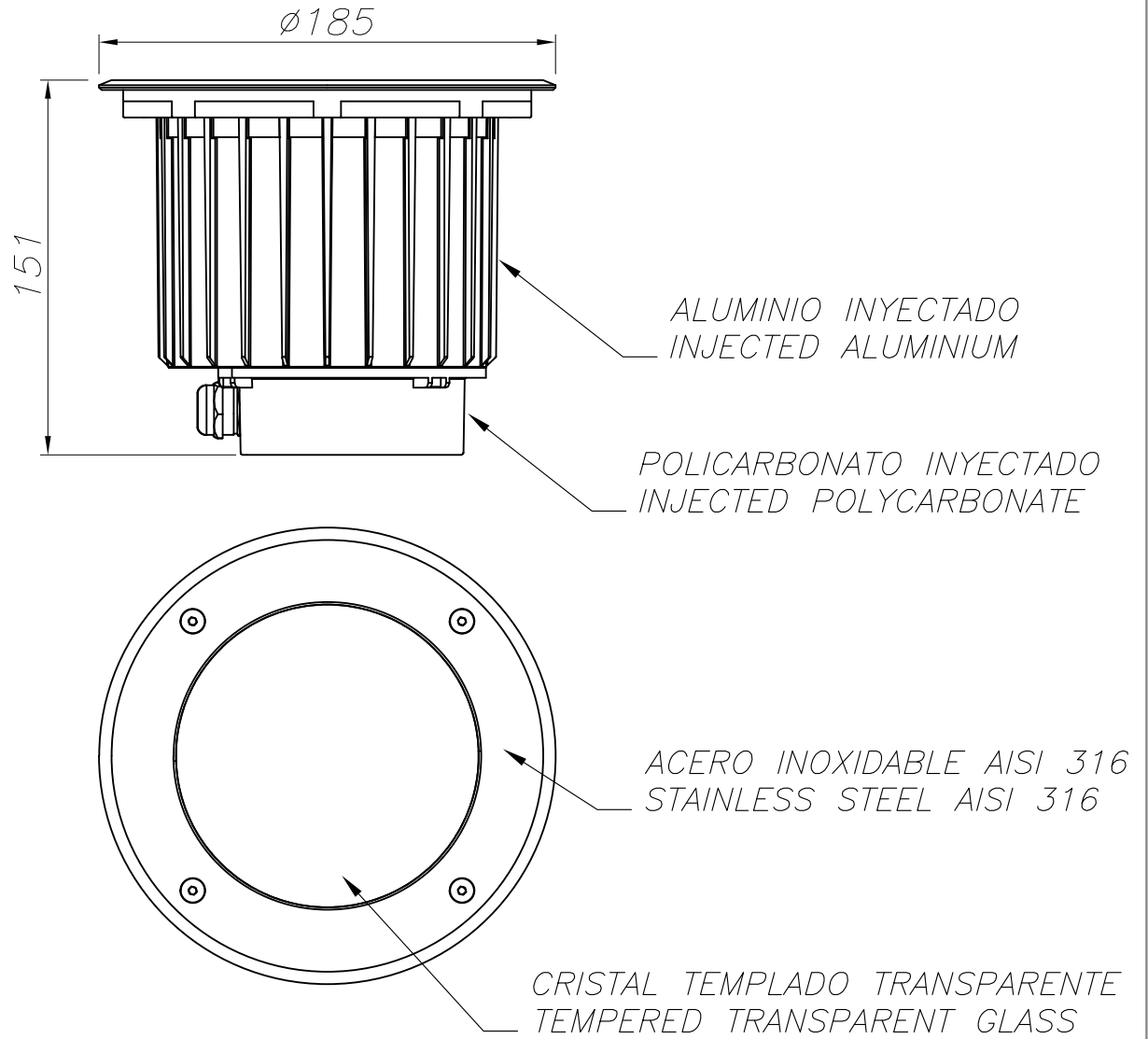
Line		Code		Luminaire Lamps		Flux [lm]	Pow. [W]	Q.ty
- LEDS C4 LEDS		55-9908-CA-CL		Name Lámpara leds 17W 3000K		618.27	18.00	1
C.I.E.	35 78 98 100 100			D DIN 5040	A20			
F UTE	1.00 H			B NBN	BZ 6 / 1 / BZ 5			

Diam=185mm Incasso



ULOR 0.00 %  
DLOR 100.00 %  
RN 0.00 %





CAJA DE EMPOTRAR  
FLUSH FITTING BOX

