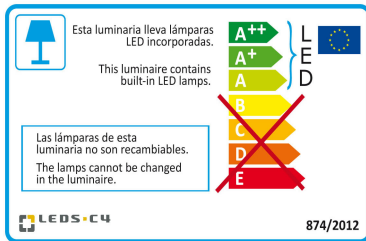




The photograph may not match the reference exactly. Please read the product description to identify the finish.

Download photometric file .ldt /.ies



Click on image to download energy label

TECHNICAL CHARACTERISTICS

Type:	UPLIGHT RECESSED
Adjustable:	Adjustable $\pm 15^\circ$ on the vertical axis Adjustable 360° on the vertical axis.
IP Protection degrees:	IP67
IK Protection degrees:	IK10
Recessed in-ground suitable for pedestrian crossing:	Si
Light source 1:	1 x LED Cree 16W Neutral white - 4000K 2034 lm ^(N) CRI 80
Total power consumption (W):	17.6W
Angle of the optics / Reflector:	15° , 60°
Voltage / Frequency:	100-240V/50-60Hz
Warranty (Years):	2
Option to extend the guarantee (Years):	5
Units per box:	4
Net Weight (Kg):	2.075
EAN:	8435381439927



MATERIALS / FINISHES

Structure material:	Stainless steel AISI316 High purity aluminium	Diffuser material:	Glass
Structure finish:	Polished Black	Diffuser finish:	Tempered

GEAR

Multi-voltage electronic gear included (100-240V / 50-60Hz)

Lm^(N): Nominal flow of light in actual working conditions. Its actual flow will depend on the environmental conditions and the efficiency of the optics and/or diffuser.

LEDS-C4 reserves the right to make the necessary technical changes they deem adequate, in order to improve the features of the product.

Please consult the sales team to clarify any doubt.

Luminaire

Code 55-9907-CA-CL 15°
 Name Empotrable GEA 16W 15° 3000K

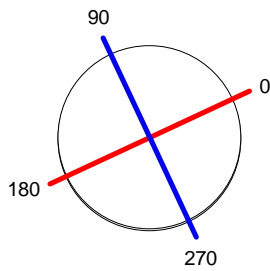
Measur.

Code 55-9907-CA-CL 15
 Name Empotrable GEA 16W 15° 3000K

Luminaire Flux	1560.30 lm	Luminaire Power	18.00 W	Efficacy	86.68 lm/W	Efficiency	100.00%
Lamps Flux	1560.23 lm	Maximum value	4071.50 cd/klm	Position	C=0.00 G=180.00	CG	Asymmetrical
Round Luminaire Round Luminous Area		Diam.	185 mm	Height	4 mm		
		Diam.	122 mm	Height	0 mm		
Horizontal Luminous Area	0.011690 m2			Emitting area on Plane 180°		0.000000 m2	
Emitting area on Plane 0°	0.000000 m2			Emitting area on Plane 270°		0.000000 m2	
Emitting area on Plane 90°	0.000000 m2			Glare area at 76°		0.002828 m2	
Coordinate system	CG			Symmetry Type		Asymmetrical	
Date	11-04-2016			Maximum Gamma Angle		180	
Measurement Distance	0.00			Measurement Flux		1560.23 lm	
Operator	Asselum T2			Source Voltage [V]			
Temperature	25.00 °C			Source current [A]			
Humidity	60.00 %			Photocell			
Notes							

Luminaire Lamps					
Line	Code	Name	Flux [lm]	Pow. [W]	Q.ty
	55-9907-CA-CL 15°	55-9907-CA-CL 15° - 18.00 W	1560.23	18.00	1
C.I.E.	0 0 0 0 100				
F UTE	1.00 T	D DIN 5040 B NBN	--	BZ 10	

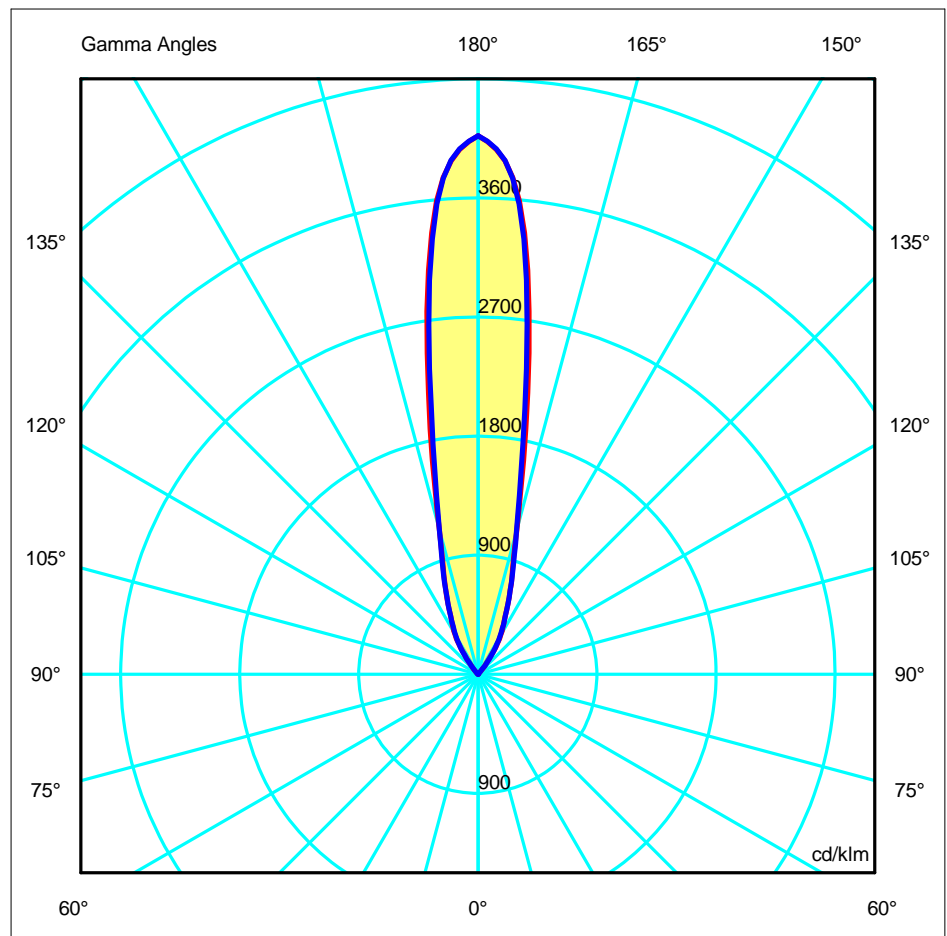
Diam=185mm



C Halfplanes

180.0 ——— 0.0
 270.0 ——— 90.0

ULOR 100.00 %
 DLOR 0.00 %
 RN 100.00 %



Luminaire

Code 55-9907-CA-CL 60°
 Name Empotrable GEA 16W 60° 3000K

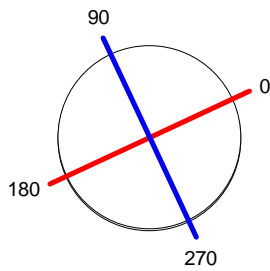
Measur.

Code 55-9907-CA-CL 60
 Name Empotrable GEA 16W 60° 3000K

Luminaire Flux	1520.34 lm	Luminaire Power	18.00 W	Efficacy	84.46 lm/W	Efficiency	100.01%
Lamps Flux	1520.26 lm	Maximum value	1369.01 cd/klm	Position	C=0.00 G=180.00	CG	Asymmetrical
Round Luminaire Round Luminous Area		Diam. Diam.	185 mm 122 mm	Height Height	4 mm 0 mm		
Horizontal Luminous Area Emitting area on Plane 0° Emitting area on Plane 90°		0.011690 m2 0.000000 m2 0.000000 m2		Emitting area on Plane 180° Emitting area on Plane 270° Glare area at 76°		0.000000 m2 0.000000 m2 0.002828 m2	
Coordinate system Date Measurement Distance		CG 11-04-2016 0.00		Symmetry Type Maximum Gamma Angle Measurement Flux		Asymmetrical 180 1520.26 lm	
Operator Temperature Humidity Notes		Asselum T2 25.00 °C 60.00 %		Source Voltage [V] Source current [A] Photocell			

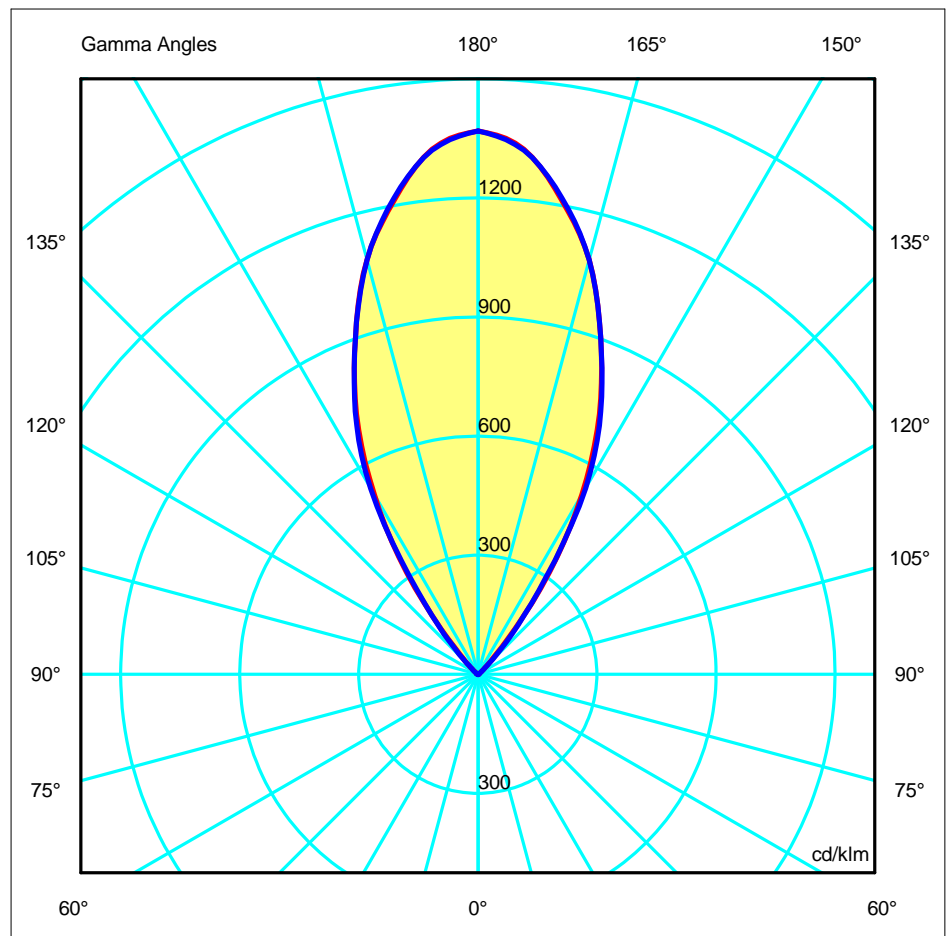
Luminaire Lamps					
Line	Code	Name	Flux [lm]	Pow. [W]	Q.ty
	55-9907-CA-CL 60°	55-9907-CA-CL 60° - 18.00 W	1520.26	18.00	1
C.I.E.	0 0 0 0 100				
F UTE	1.00 T	D DIN 5040 B NBN	-- BZ 10		

Diam=185mm



C Halfplanes
 180.0 ——— 0.0
 270.0 ——— 90.0

ULOR 100.00 %
 DLOR 0.01 %
 RN 99.99 %



Luminaire

Code 55-9907-CA-CM 15°
 Name Empotrable GEA 16W 15° 4000K

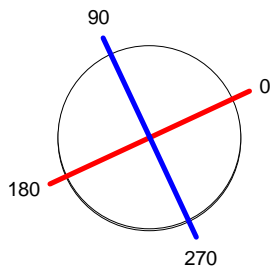
Measur.

Code 55-9907-CA-CM 15
 Name Empotrable GEA 16W 15° 4000K

Luminaire Flux	1638.32 lm	Luminaire Power	18.00 W	Efficacy	91.02 lm/W	Efficiency	100.00%
Lamps Flux	1638.24 lm	Maximum value	4071.50 cd/klm	Position	C=0.00 G=180.00	CG	Asymmetrical
Round Luminaire Round Luminous Area		Diam.	185 mm	Height	4 mm		
		Diam.	122 mm	Height	0 mm		
Horizontal Luminous Area	0.011690 m2			Emitting area on Plane 180°		0.000000 m2	
Emitting area on Plane 0°	0.000000 m2			Emitting area on Plane 270°		0.000000 m2	
Emitting area on Plane 90°	0.000000 m2			Glare area at 76°		0.002828 m2	
Coordinate system	CG			Symmetry Type		Asymmetrical	
Date	11-04-2016			Maximum Gamma Angle		180	
Measurement Distance	0.00			Measurement Flux		1638.24 lm	
Operator	Asselum T2			Source Voltage [V]			
Temperature	25.00 °C			Source current [A]			
Humidity	60.00 %			Photocell			
Notes							

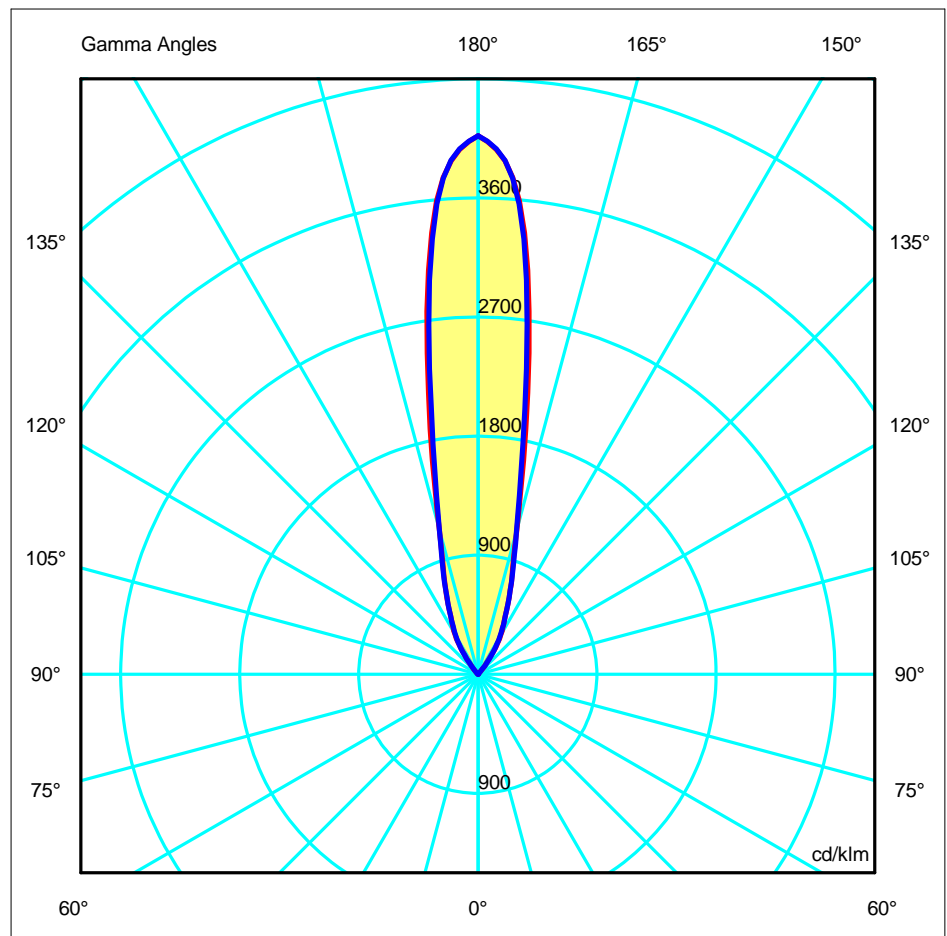
Luminaire Lamps					
Line	Code	Name	Flux [lm]	Pow. [W]	Q.ty
	55-9907-CA-CM 15°	55-9907-CA-CM 15° - 18.00 W	1638.24	18.00	1
C.I.E.	0 0 0 0 100				
F UTE	1.00 T	D DIN 5040 B NBN	-- BZ 10		

Diam=185mm



C Halfplanes
 180.0 ——— 0.0
 270.0 ——— 90.0

ULOR 100.00 %
 DLOR 0.00 %
 RN 100.00 %



Luminaire

Code 55-9907-CA-CM 60°
 Name Empotrable GEA 16W 60° 4000K

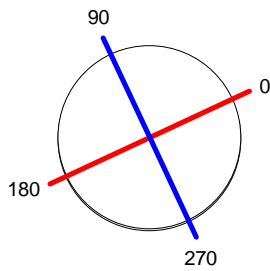
Measur.

Code 55-9907-CA-CM 60
 Name Empotrable GEA 16W 60° 4000K

Luminaire Flux	1596.35 lm	Luminaire Power	18.00 W	Efficacy	88.69 lm/W	Efficiency	100.01%
Lamps Flux	1596.27 lm	Maximum value	1369.01 cd/klm	Position	C=0.00 G=180.00	CG	Asymmetrical
Round Luminaire Round Luminous Area		Diam.	185 mm	Height	4 mm		
		Diam.	122 mm	Height	0 mm		
Horizontal Luminous Area	0.011690 m2			Emitting area on Plane 180°		0.000000 m2	
Emitting area on Plane 0°	0.000000 m2			Emitting area on Plane 270°		0.000000 m2	
Emitting area on Plane 90°	0.000000 m2			Glare area at 76°		0.002828 m2	
Coordinate system	CG			Symmetry Type		Asymmetrical	
Date	11-04-2016			Maximum Gamma Angle		180	
Measurement Distance	0.00			Measurement Flux		1596.27 lm	
Operator	Asselum T2			Source Voltage [V]			
Temperature	25.00 °C			Source current [A]			
Humidity	60.00 %			Photocell			
Notes							

Luminaire Lamps					
Line	Code	Name	Flux [lm]	Pow. [W]	Q.ty
	55-9907-CA-CM 60°	55-9907-CA-CM 60° - 18.00 W	1596.27	18.00	1
C.I.E.	0 0 0 0 100				
F UTE	1.00 T	D DIN 5040 B NBN	-- BZ 10		

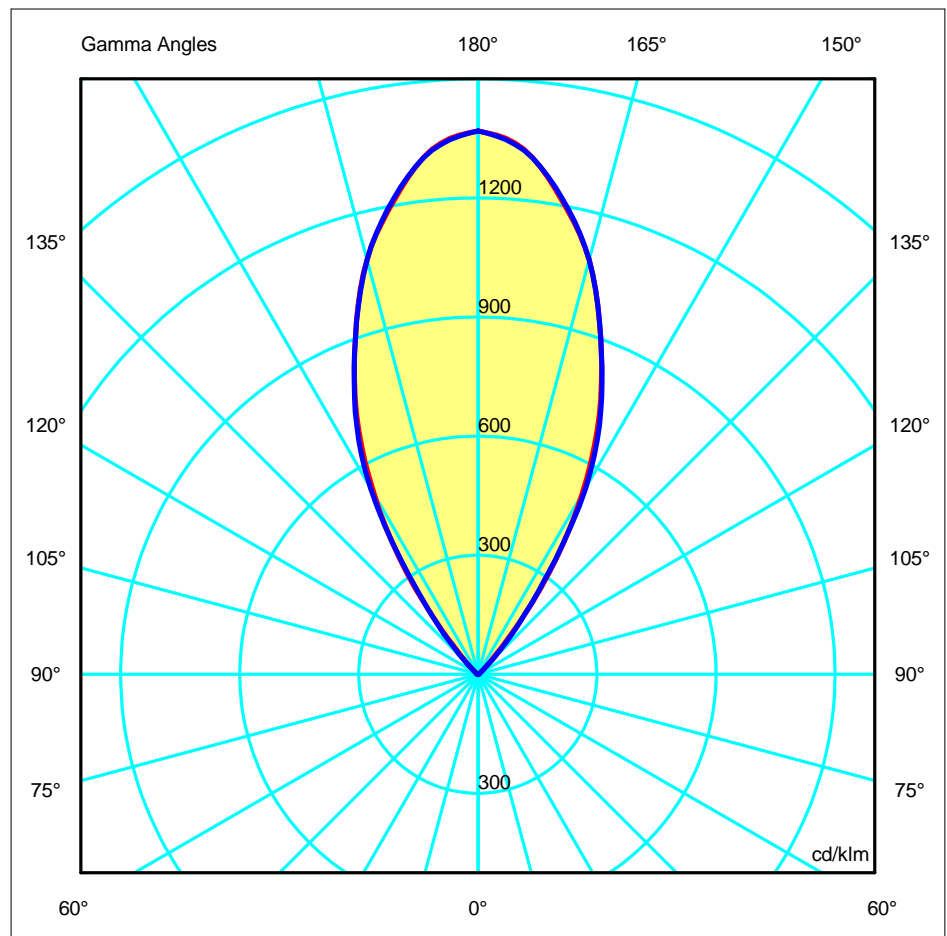
Diam=185mm

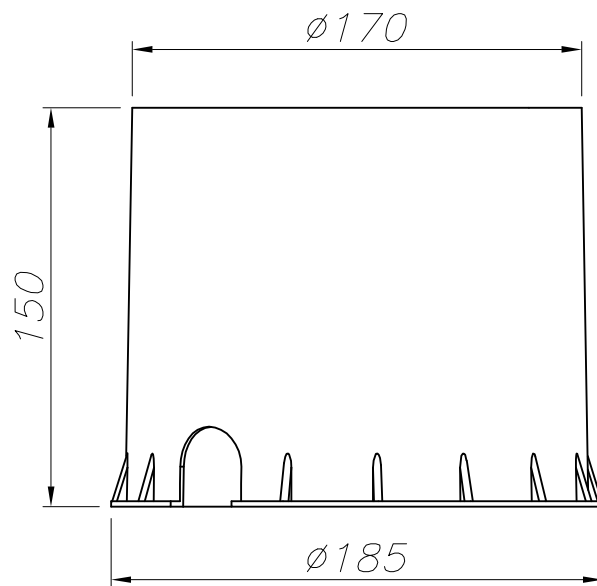
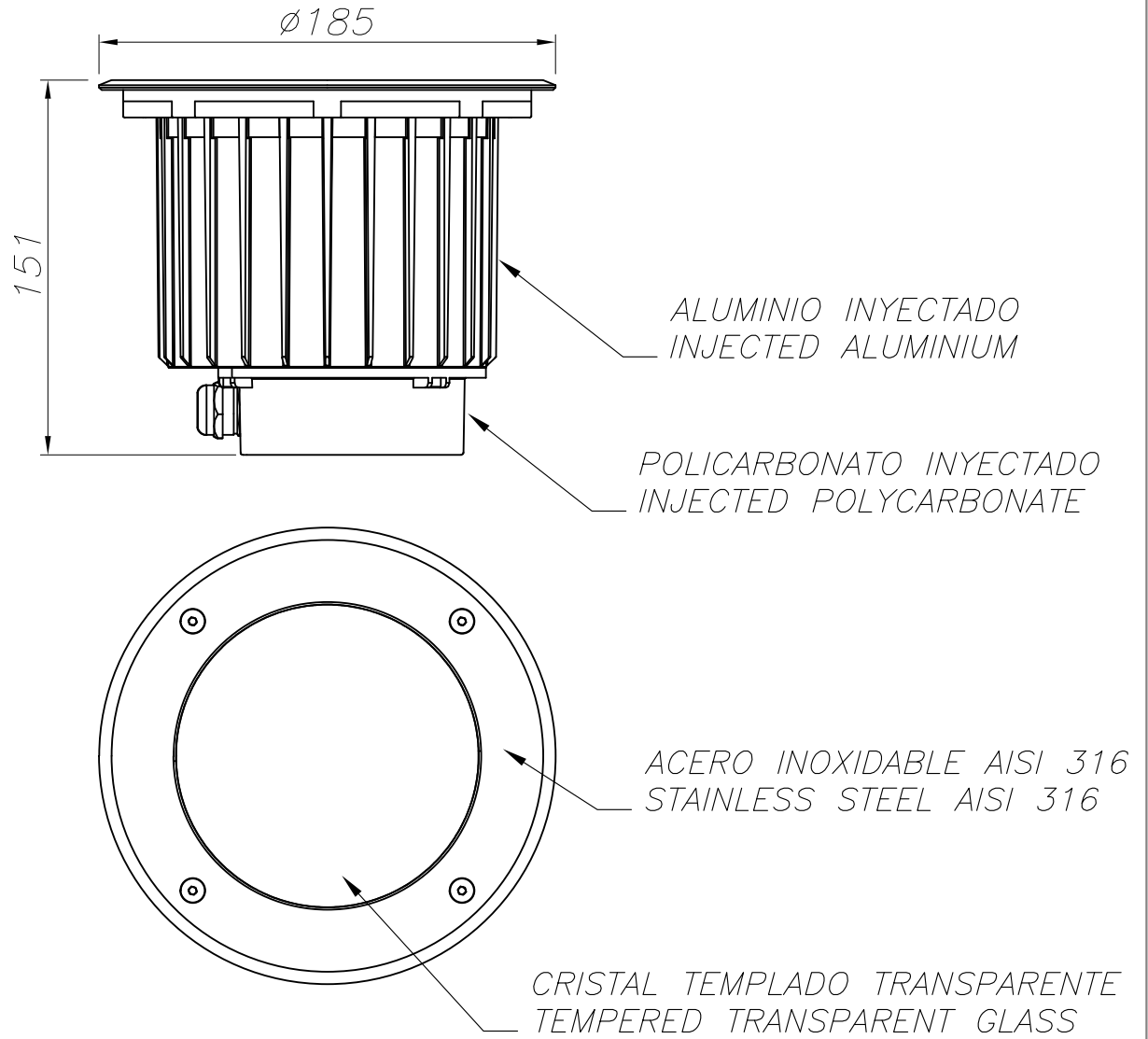


C Halfplanes

180.0 ——— 0.0
 270.0 ——— 90.0

ULOR 100.00 %
 DLOR 0.01 %
 RN 99.99 %





CAJA DE EMPOTRAR
FLUSH FITTING BOX

