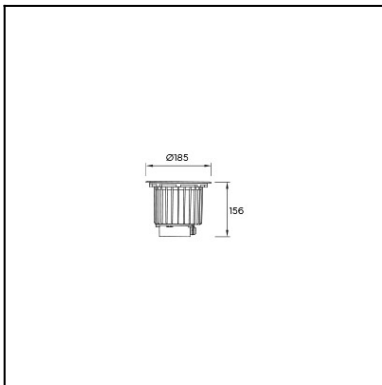




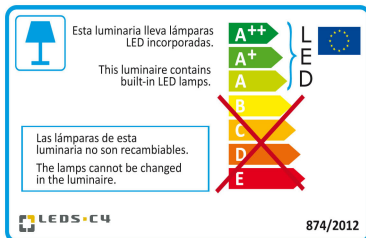
The photograph may not match the reference exactly. Please read the product description to identify the finish.



### TECHNICAL CHARACTERISTICS

Type:	UPLIGHT RECESSED
Adjustable:	Adjustable $\pm 15^\circ$ on the vertical axis Adjustable 360° on the vertical axis.
IP Protection degrees:	IP67
IK Protection degrees:	IK10
Recessed in-ground suitable for pedestrian crossing:	Si
Light source 1:	1 x LED Cree 16W Warm White - 3000K 1890 lm <sup>(N)</sup> CRI 80
Total power consumption (W):	17.6W
Angle of the optics / Reflector:	15°, 60°
Voltage / Frequency:	100-240V/50-60Hz
Warranty (Years):	2
Option to extend the guarantee (Years):	5
Units per box:	4
Net Weight (Kg):	2.075
EAN:	8435381439910

Download photometric file .ldt / .ies



Click on image to download energy label



### MATERIALS / FINISHES

<b>Structure material:</b>	Stainless steel AISI316 High purity aluminium	<b>Diffuser material:</b>	Glass
<b>Structure finish:</b>	Polished Black	<b>Diffuser finish:</b>	Tempered

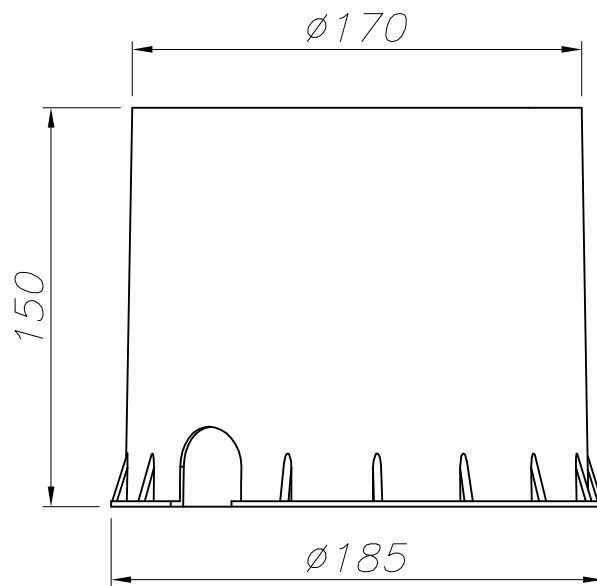
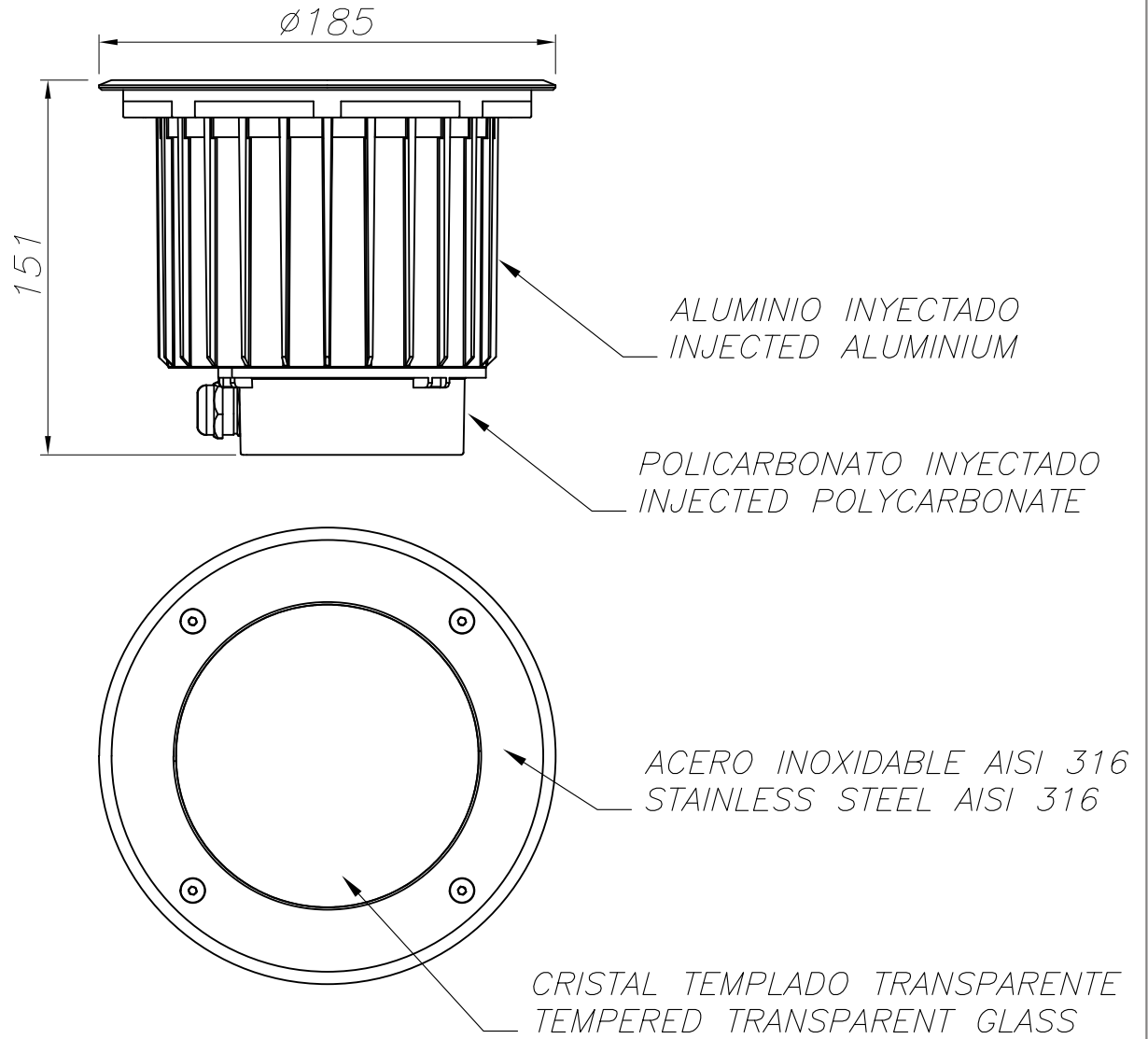
### GEAR

Multi-voltage electronic gear included (100-240V / 50-60Hz)

Lm<sup>(N)</sup>: Nominal flow of light in actual working conditions. Its actual flow will depend on the environmental conditions and the efficiency of the optics and/or diffuser.

LEDS-C4 reserves the right to make the necessary technical changes they deem adequate, in order to improve the features of the product.

Please consult the sales team to clarify any doubt.



CAJA DE EMPOTRAR  
FLUSH FITTING BOX

