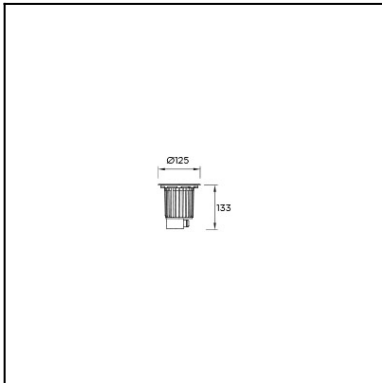




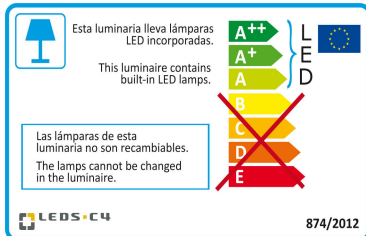
The photograph may not match the reference exactly. Please read the product description to identify the finish.



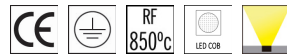
TECHNICAL CHARACTERISTICS

Type:	UPLIGHT RECESSED
Adjustable:	Adjustable $\pm 15^\circ$ on the vertical axis Adjustable 360° on the vertical axis.
IP Protection degrees:	IP67
IK Protection degrees:	IK10
Recessed in-ground suitable for pedestrian crossing:	Si
Light source 1:	1 x LED Cree 9W Warm White - 3000K 994 lm ^(N) CRI 80
Total power consumption (W):	10.5W
Angle of the optics / Reflector:	15°, 60°
Voltage / Frequency:	100-240V/50-60Hz
Warranty (Years):	2
Option to extend the guarantee (Years):	5
Units per box:	8
Net Weight (Kg):	1.025
EAN:	8435381439958

Download photometric file .ldt / .ies



Click on image to download energy label



MATERIALS / FINISHES

Structure material:	Stainless steel AISI316 High purity aluminium	Diffuser material:	Glass
Structure finish:	Polished Black	Diffuser finish:	Tempered

GEAR

Multi-voltage electronic gear included (100-240V / 50-60Hz)

Lm^(N): Nominal flow of light in actual working conditions. Its actual flow will depend on the environmental conditions and the efficiency of the optics and/or diffuser.

LEDS-C4 reserves the right to make the necessary technical changes they deem adequate, in order to improve the features of the product.

Please consult the sales team to clarify any doubt.

Luminaire

Code 55-9906-CA-CM 15°
Name Empotrable GEA 9W 15° 4000K

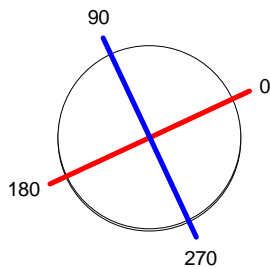
Measur.

Code 55-9906-CA-CM 15°
Name Empotrable GEA 9W 15° 4000K

Luminaire Flux	830.63 lm	Luminaire Power	10.00 W	Efficacy	83.06 lm/W	Efficiency	100.00%
Lamps Flux	830.63 lm	Maximum value	4248.93 cd	Position	C=0.00 G=0.00	CG	Double Symmetrical
Round Recessed Luminaire Round Luminous Area	Diam. 125 mm Diam. 77 mm	Height	3 mm	Height	0 mm		
Horizontal Luminous Area Emitting area on Plane 0° Emitting area on Plane 90°	0.004657 m2 0.000000 m2 0.000000 m2	Emitting area on Plane 180° Emitting area on Plane 270° Glare area at 76°	0.000000 m2 0.000000 m2 0.001127 m2				
Coordinate system Date Measurement Distance	CG 08-04-2016 0.51	Symmetry Type Maximum Gamma Angle Measurement Flux	Double Symmetrical 90 830.63 lm				
Operator Temperature Humidity Notes	Asselum T3 24.00 °C 42.00 %	Source voltage Source current Photocell	230.00 V				Czibula Grundmann

Line		Code		Luminaire Lamps		Flux [lm]	Pow. [W]	Q.ty
- LEDS C4 LEDS		55-9906-CA-CM 15°		Lámpara leds 9W 4000K 15°		830.63	10.00	1
C.I.E.	100 100 100 100 100			D DIN 5040	A60			
F UTE	--			B NBN	BZ 1			

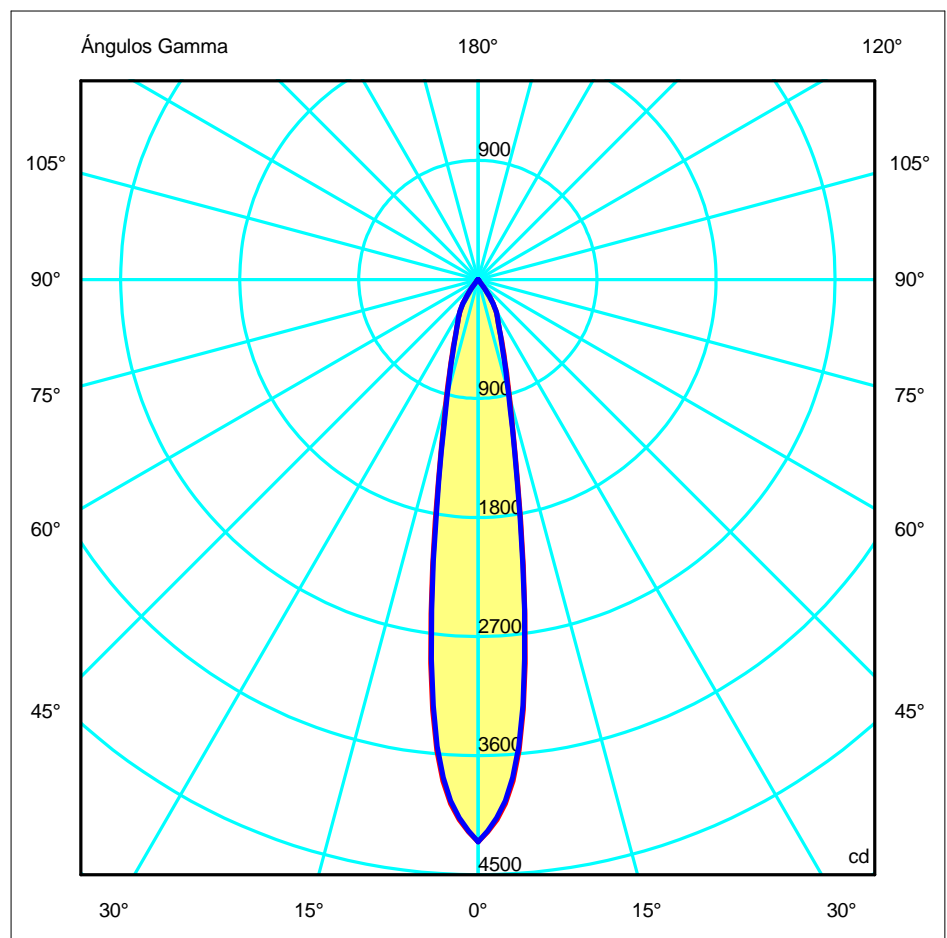
Diam=125mm Incasso



Semiplanos C

180.0 — 0.0
270.0 — 90.0

ULOR 0.00 %
DLOR 100.00 %
RN 0.00 %



Luminaire

Code 55-9906-CA-CM 60°
Name Empotrable GEA 9W 60° 4000K

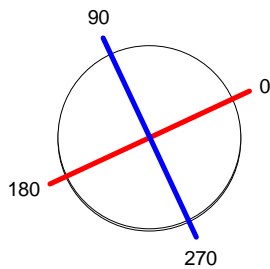
Measur.

Code 55-9906-CA-CM 60°
Name Empotrable GEA 9W 60° 4000K

Luminaire Flux	815.88 lm	Luminaire Power	10.00 W	Efficacy	81.59 lm/W	Efficiency	100.00%
Lamps Flux	815.88 lm	Maximum value	1305.30 cd	Position	C=0.00 G=0.00	CG	Double Symmetrical
Round Recessed Luminaire Round Luminous Area		Diam.	125 mm	Height	3 mm		
		Diam.	77 mm	Height	0 mm		
Horizontal Luminous Area	0.004657 m2			Emitting area on Plane 180°		0.000000 m2	
Emitting area on Plane 0°	0.000000 m2			Emitting area on Plane 270°		0.000000 m2	
Emitting area on Plane 90°	0.000000 m2			Glare area at 76°		0.001127 m2	
Coordinate system	CG			Symmetry Type		Double Symmetrical	
Date	11-04-2016			Maximum Gamma Angle		90	
Measurement Distance	0.51			Measurement Flux		815.88 lm	
Operator	Asselum T3			Source voltage		230.00 V	
Temperature	24.00 °C			Source current			
Humidity	47.00 %			Photocell		Czibula Grundmann	
Notes							

Line		Code		Luminaire Lamps		Flux [lm]	Pow. [W]	Q.ty
- LEDS C4 LEDS		55-9906-CA-CM 60°		Name Lámpara leds 9W 4000K 60°		815.88	10.00	1
C.I.E.	99 100 100 100 100			D DIN 5040		A60		
F UTE	--			B NBN		BZ 1		

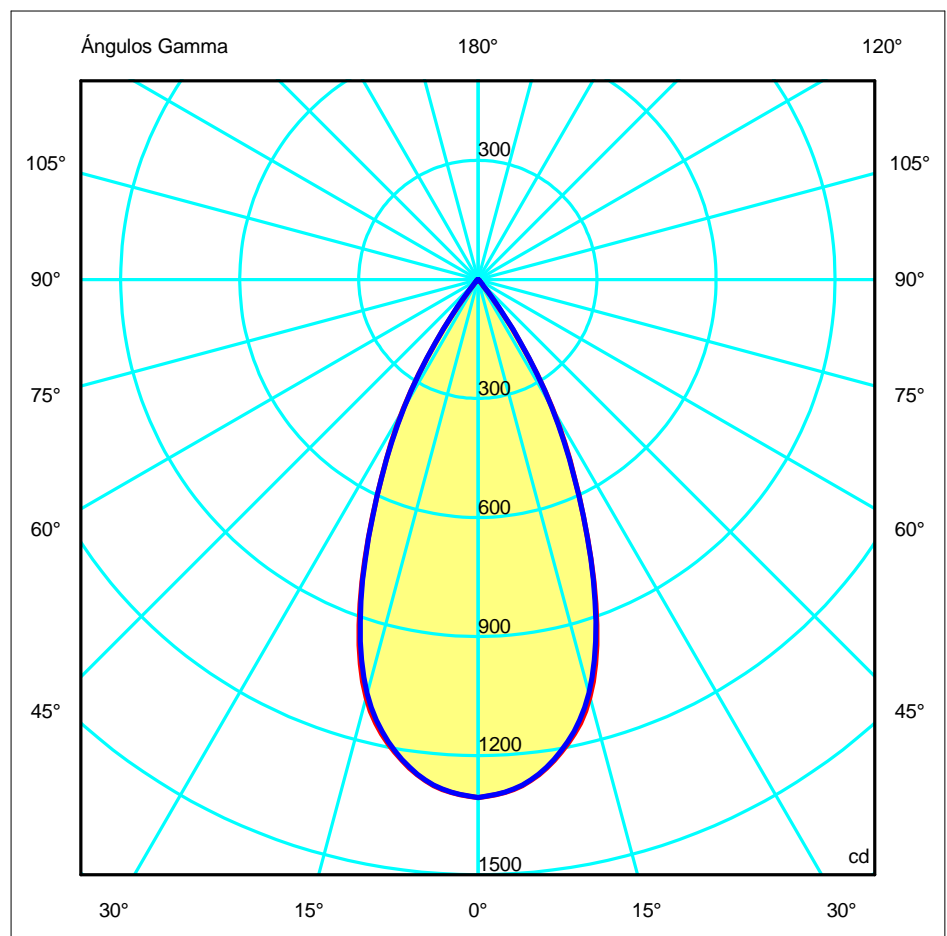
Diam=125mm Incasso

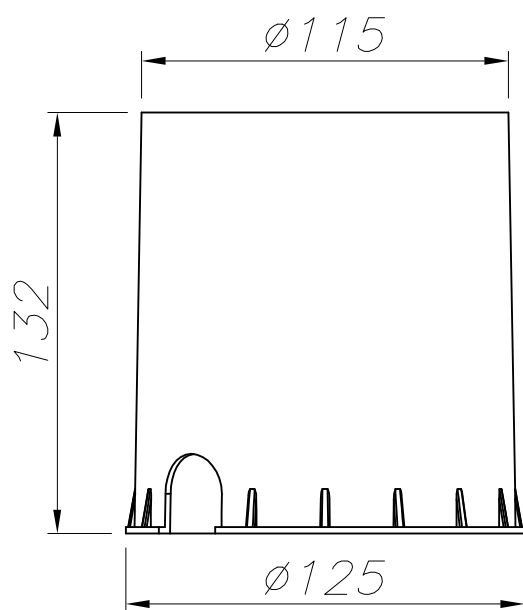
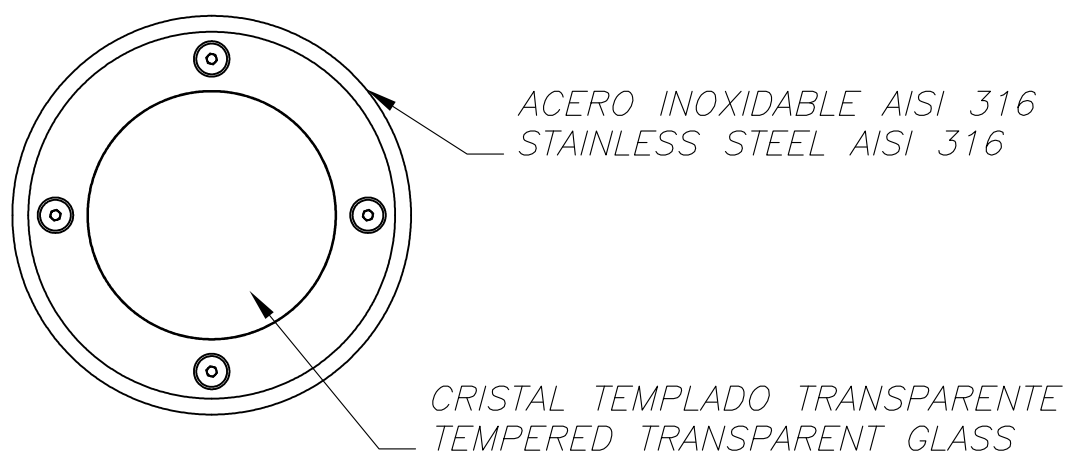
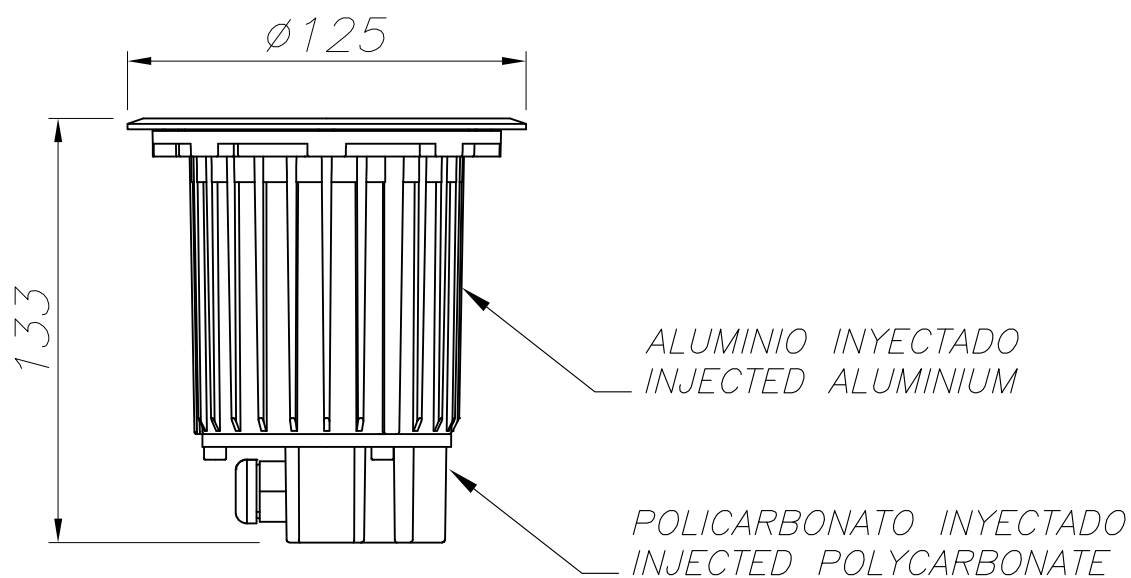


Semiplanos C

180.0 — 0.0
270.0 — 90.0

ULOR 0.00 %
DLOR 100.00 %
RN 0.00 %





CAJA DE EMPOTRAR
FLUSH FITTING BOX

