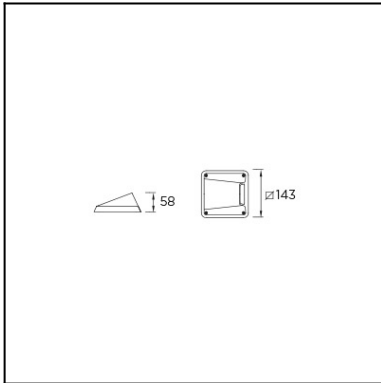
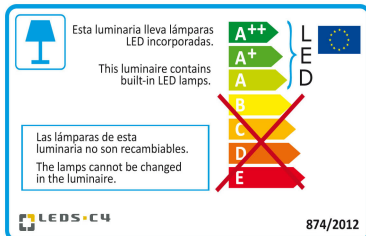


**Design by Francesc Vilaró**


The photograph may not match the reference exactly. Please read the product description to identify the finish.



Download photometric file .ldt / .ies



Click on image to download energy label

**TECHNICAL CHARACTERISTICS**

Type:	Beacon
Adjustable:	Adjustable from 0° to 15° on the horizontal axis.
IP Protection degrees:	IP67
IK Protection degrees:	IK06
Light source 1:	2 x LED Cree 2.1W Warm White - 3000K 188 lm <sup>(N)</sup> CRI 80
Total power consumption (W):	3.6W
Angle of the optics / Reflector:	45°
Voltage / Frequency:	100-240V/50-60Hz
Warranty (Years):	2
Option to extend the guarantee (Years):	5
Units per box:	12
Net Weight (Kg):	0.54
EAN:	8435381439187


**MATERIALS / FINISHES**

<b>Structure material:</b>	High purity aluminium	<b>Diffuser material:</b>	Methacrylate
<b>Structure finish:</b>	Urban grey	<b>Diffuser finish:</b>	Transparent

**GEAR**

Multi-voltage electronic gear included (100-240V / 50-60Hz)

Lm<sup>(N)</sup>: Nominal flow of light in actual working conditions. Its actual flow will depend on the environmental conditions and the efficiency of the optics and/or diffuser.

LEDS-C4 reserves the right to make the necessary technical changes they deem adequate, in order to improve the features of the product.

Please consult the sales team to clarify any doubt.

**Luminaire**

Code 55-9883-Z5-CL  
Name Baliza REXEL 2 leds 2.1W

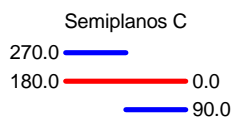
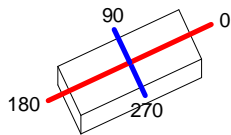
**Measurerm.**

Code 55-9883-Z5-CL  
Name Baliza REXEL 2 leds 2.1W

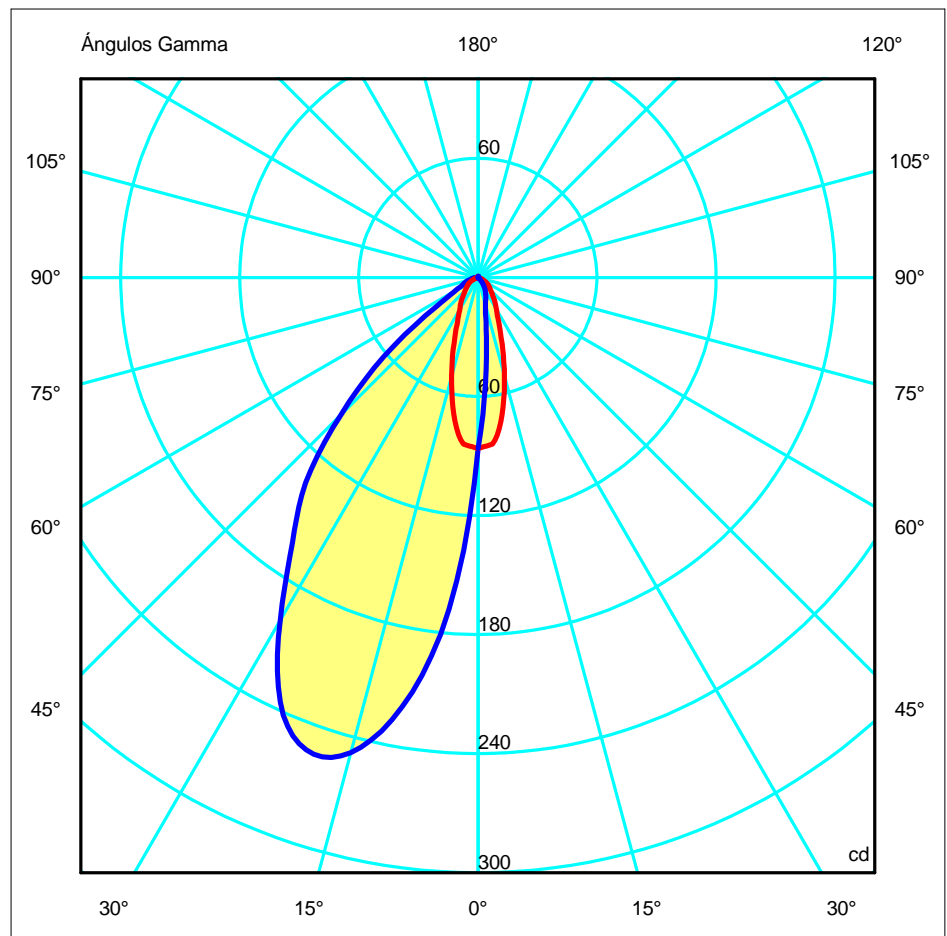
Luminaire Flux	139.11 lm	Luminaire Power	3.00 W	Efficacy	46.37 lm/W	Efficiency	100.00%
Lamps Flux	139.11 lm	Maximum value	253.33 cd	Position	C=270.00 G=20.00	CG Sym. on planes	270-90
Rectangular Luminaire		Length	58 mm	Width	143 mm	Height	143 mm
Rectangular Luminous Area		Length	20 mm	Width	50 mm	Height	0 mm
Horizontal Luminous Area	0.001000 m2			Emitting area on Plane 180°	0.000000 m2		
Emitting area on Plane 0°	0.000000 m2			Emitting area on Plane 270°	0.000000 m2		
Emitting area on Plane 90°	0.000000 m2			Glare area at 76°	0.000242 m2		
Coordinate system	CG			Symmetry Type	Sym. on planes 270-90		
Date	04-10-2016			Maximum Gamma Angle	180		
Measurement Distance	6.44			Measurement Flux	139.11 lm		
Operator	Asselum T2			Source voltage	230.00 V		
Temperature	25.00 °C			Source current	Prc		
Humidity	59.00 %			Photocell			
Notes							

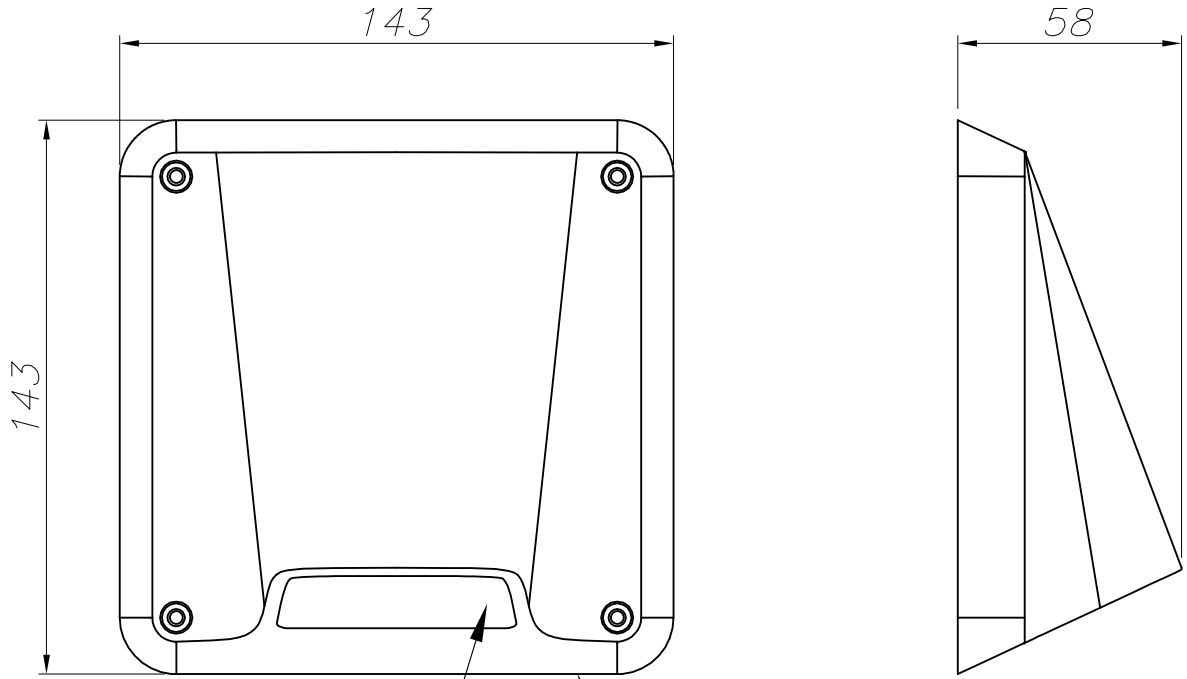
Line		Code		Luminaire Lamps		Flux [lm]	Pow. [W]	Q.ty
- LEDS C4 LEDS		55-9883-Z5-CL		Name Lámpara leds 2.1W		139.11	3.00	1
C.I.E.	76 95 99 98 100			D DIN 5040	A61			
F UTE	0.98 B + 0.02 T			B NBN	BZ 1 / 2.5 / BZ 2			

58mm x 143mm



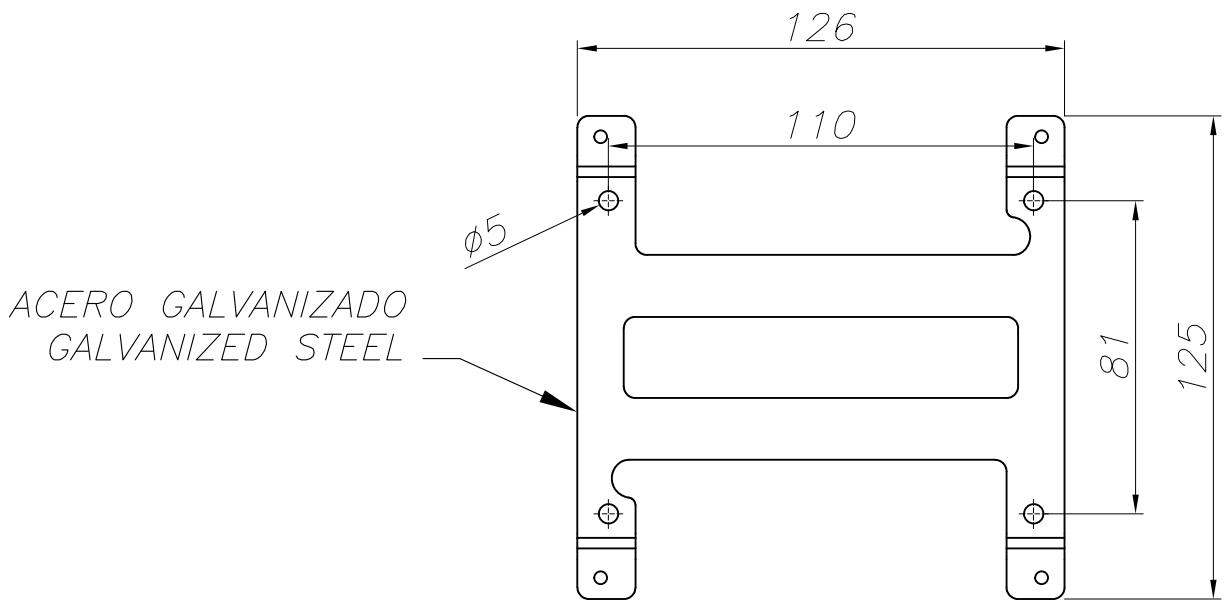
ULOR 1.52 %  
DLOR 98.48 %  
RN 1.52 %





PMMA TRANSPARENTE  
TRANSPARENT PMMA

ALUMINIO INYECTADO  
INJECTED ALUMINIUM



ACERO GALVANIZADO  
GALVANIZED STEEL

PLANTILLA DE INSTALACIÓN  
INSTALLATION TEMPLATE

