

OUT

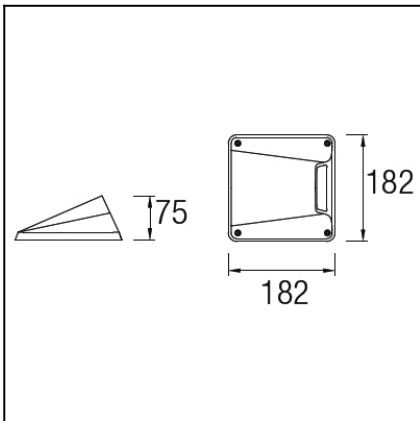
REXEL

55-9741-Z5-37

Design by Francesc Vilaró

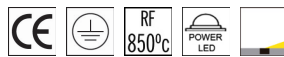


The photograph may not match the reference exactly. Please read the product description to identify the finish.

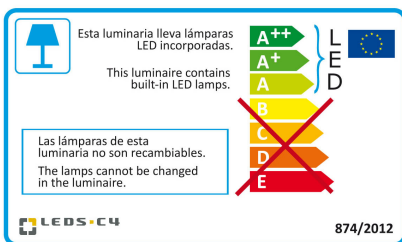


TECHNICAL CHARACTERISTICS

Type:	UPLIGHT RECESSED
Adjustable:	Adjustable from 0° to 15° on the horizontal axis.
IP Protection degrees:	IP67
IK Protection degrees:	IK06
Light source 1:	4 x LED Cree 4.3W Warm White - 3000K 304 lm ^(N) CRI 80
Total power consumption (W):	5.5W
Angle of the optics / Reflector:	45°
Voltage / Frequency:	100-240V/50-60Hz
Warranty (Years):	2
Option to extend the guarantee (Years):	5
Units per box:	8
Net Weight (Kg):	0.86
EAN:	8435381414047



Download photometric file .ldt / .ies



Click on image to download energy label

MATERIALS / FINISHES

Structure material:	High purity aluminium	Diffuser material:	Glass
Structure finish:	Urban grey	Diffuser finish:	Transparent

GEAR

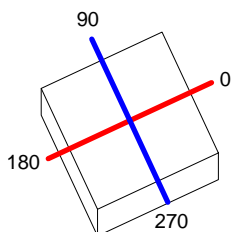
Multi-voltage electronic gear included (100-240V / 50-60Hz)

Lm^(N): Nominal flow of light in actual working conditions. Its actual flow will depend on the environmental conditions and the efficiency of the optics and/or diffuser.

Luminaire		Measur.		Lamp		
Code	55-9741	Code	55-9741	Code	11	
Name	RECESSED	Name	RECESSED	Number	6	
Line	REXEL	Date	17-02-2014	Position		
Efficiency	70.87%	Coordinate system	CG	Total Flux	390.00 lm	
Maximum value	587.13 cd	Position	C=75.00 G=4.00	Asymmetrical		
Rectangular Luminaire	Length	1 mm	Width	1 mm	Height	1 mm
Rectangular Luminous Area	Length	1 mm	Width	1 mm	Height	0 mm
Horizontal Luminous Area	0.000001 m2	Emitting area on Plane 180°		0.000000 m2		
Emitting area on Plane 0°	0.000000 m2	Emitting area on Plane 270°		0.000000 m2		
Emitting area on Plane 90°	0.000000 m2	Glare area at 76°		0.000000 m2		
Symmetry Type	Asymmetrical	Maximum Gamma Angle		90		
Measurement Distance	0.00	Measurement Flux		390.00 lm		
Operator		Source voltage				
Temperature	25.00 °C	Source current				
Humidity	60.00 %	Photocell				
Notes						

Line		Code		Luminaire Lamps		Flux [lm]	Pow. [W]	Q.ty
IESNA-1995		11		Name		65.00	0.97	6
				11 - 0.97 W				
C.I.E.	92 99 100 100 71			D DIN 5040	A60			
F UTE	0.71 A			B NBN	BZ 1			

1mm x 1mm



C Halfplanes

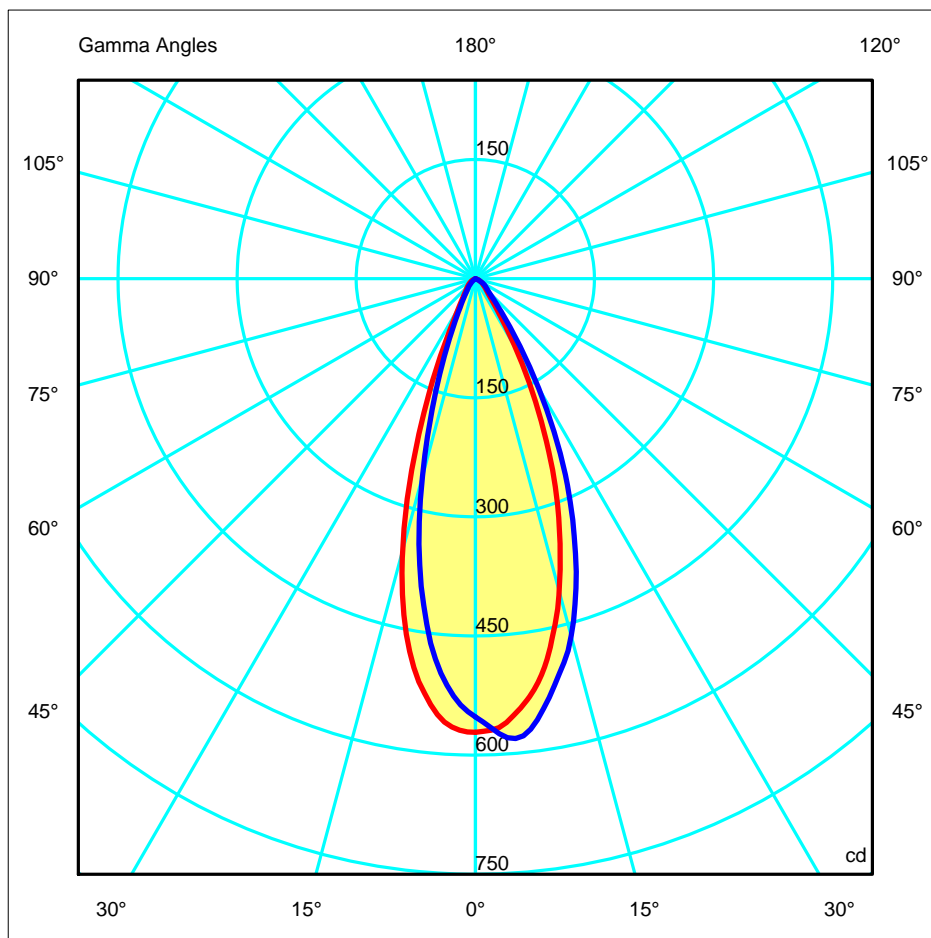
180.0 — 0.0

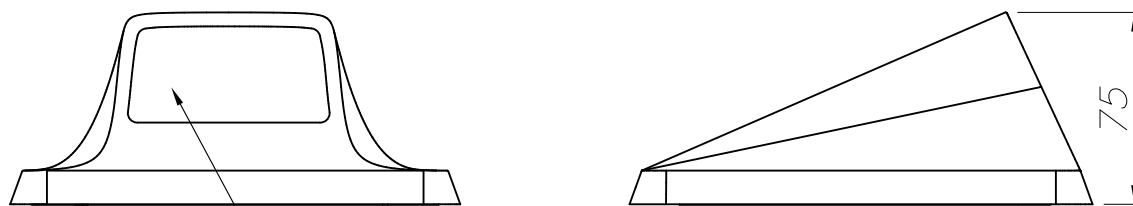
270.0 — 90.0

ULOR 0.00 %

DLOR 70.87 %

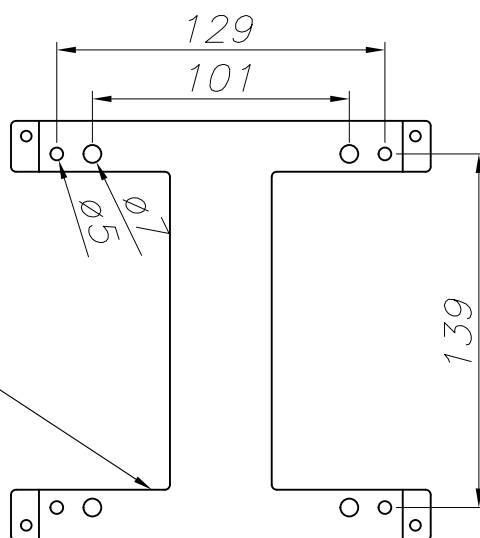
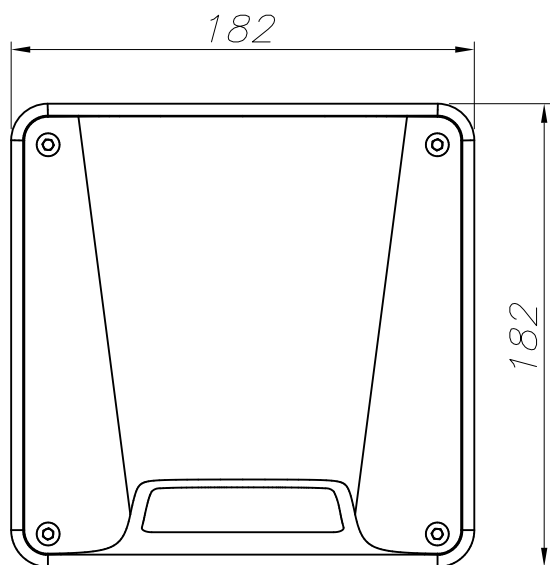
RN 0.00 %





PMMA TRANSPARENTE
TRANSPARENT PMMA

ALUMINIO INYECTADO
INJECTED ALUMINIUM



ACERO GALVANIZADO
GALVANIZED STEEL

PLANTILLA DE INSTALACION
INSTALLATION TEMPLATE

