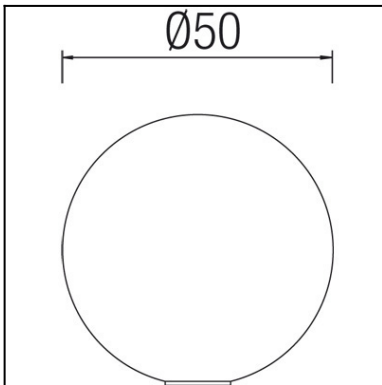




The photograph may not match the reference exactly. Please read the product description to identify the finish.



TECHNICAL CHARACTERISTICS

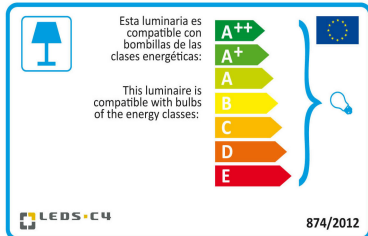
Type:	Table lamp
IP Protection degrees:	IP44
IK Protection degrees:	IK06
Light source 1:	1 x E27 MAX 150W
Total power consumption (W):	150
Voltage / Frequency:	230V/50-60Hz
Warranty (Years):	2
Units per box:	1
Net Weight (Kg):	2.16
EAN:	8435111081624



MATERIALS / FINISHES

Structure material:	Methacrylate	Diffuser material:	Methacrylate
Structure finish:	White	Diffuser finish:	Opal

[Download photometric file .ldt / .ies](#)

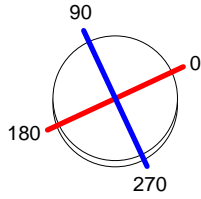


[Click on image to download energy label](#)

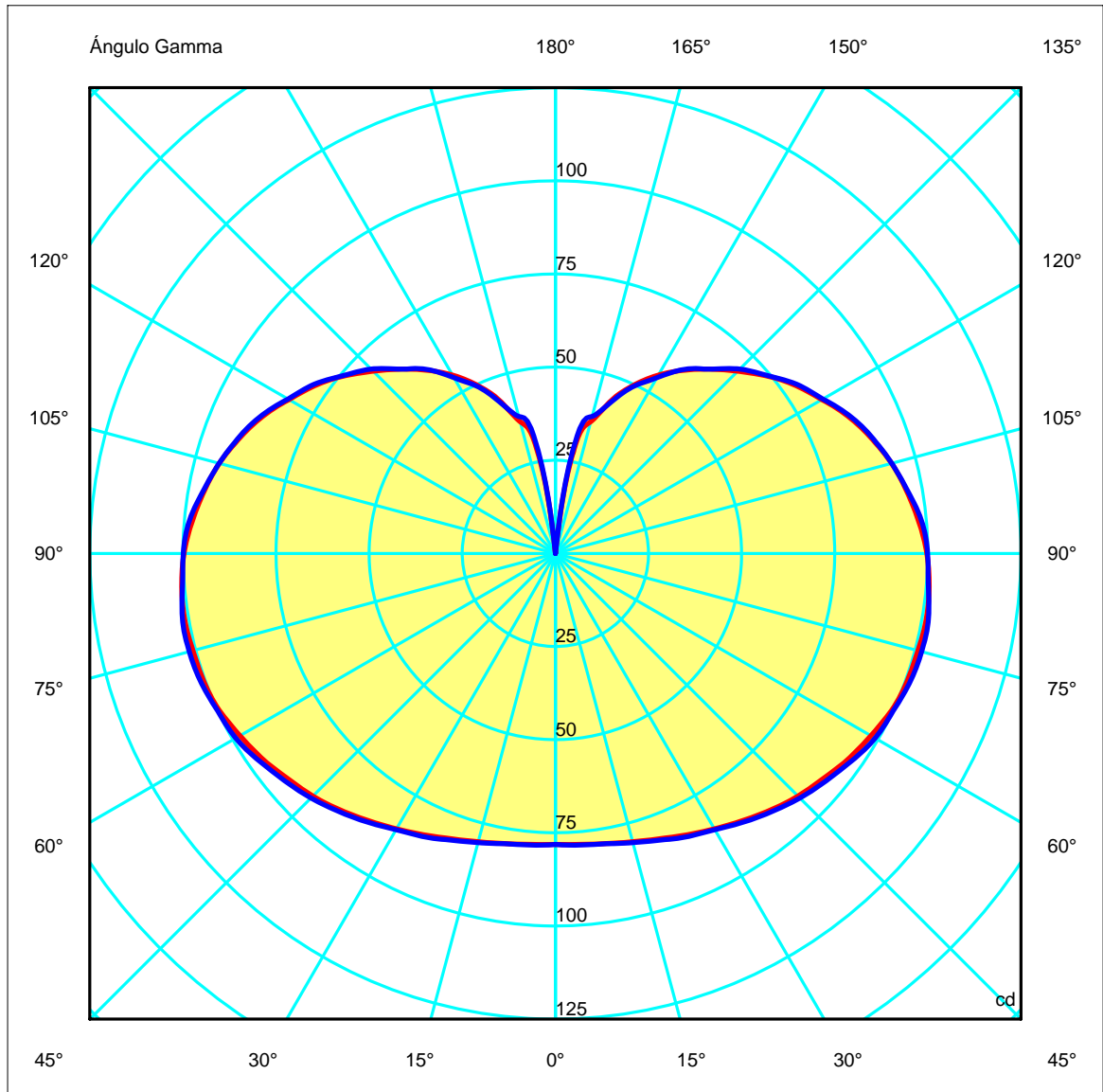
Luminaria		Ensayo		Lámpara	
Código	55-9481-Y4-M1	Código	55-9156-Y4-M1	Código	DELN2341
Nombre	Bola diám. 500 1x23W TC-EL E27	NombreBola	23W TC-EL E27	Número	1
Familia	- LEDS-C4	Fecha	17-11-2008	Posición	Universal
Eficiencia	72.06%	Sist. de Coorden.	C-G	Flujo Total	1500.00 lm
Valor Máximo	101.77 cd	Posición	C=90.00 G=75.00	Bisimétrico	

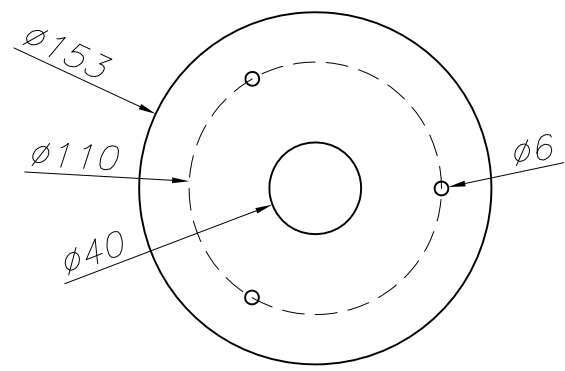
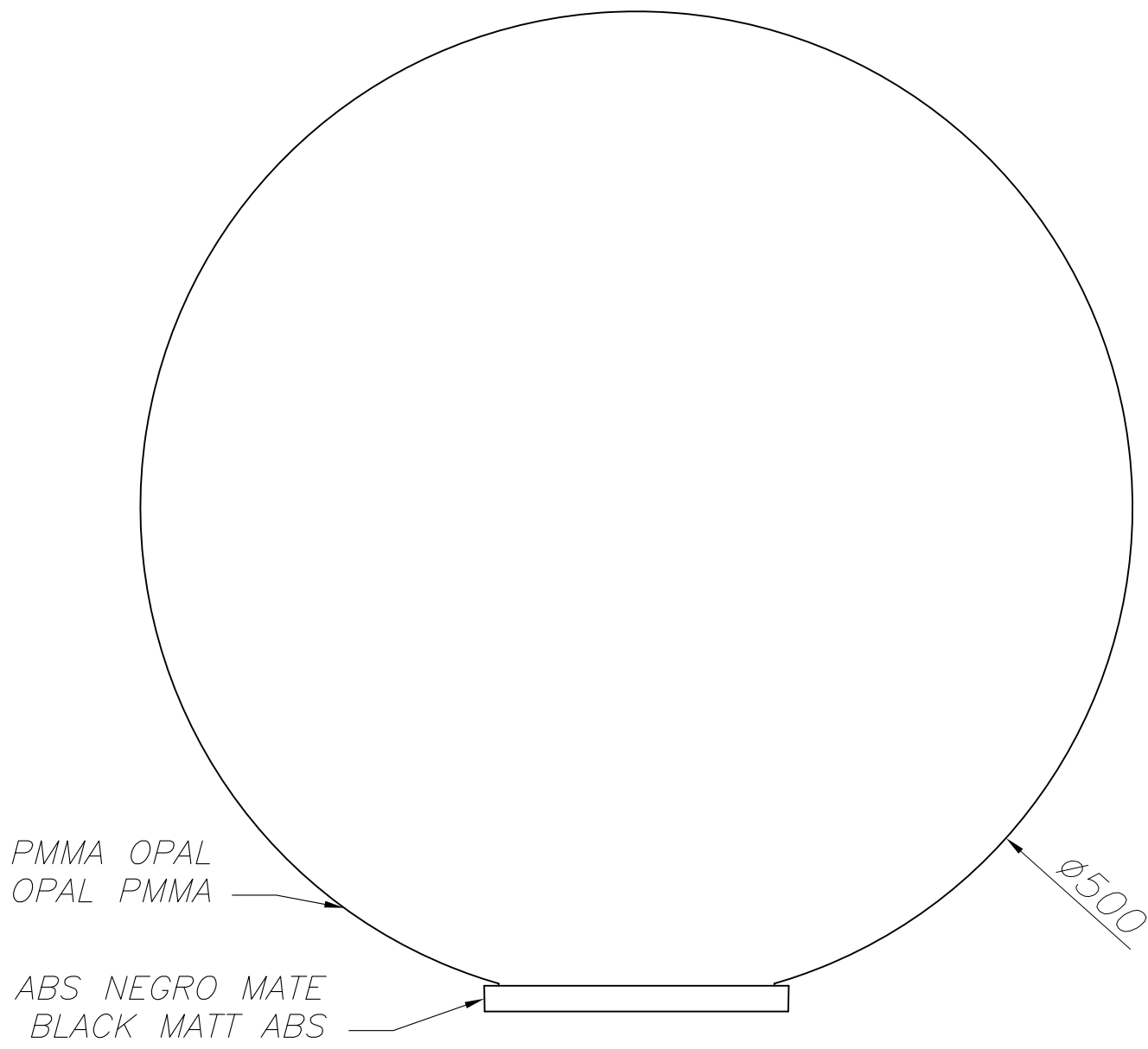
Diam=500mm

Semiplanos C



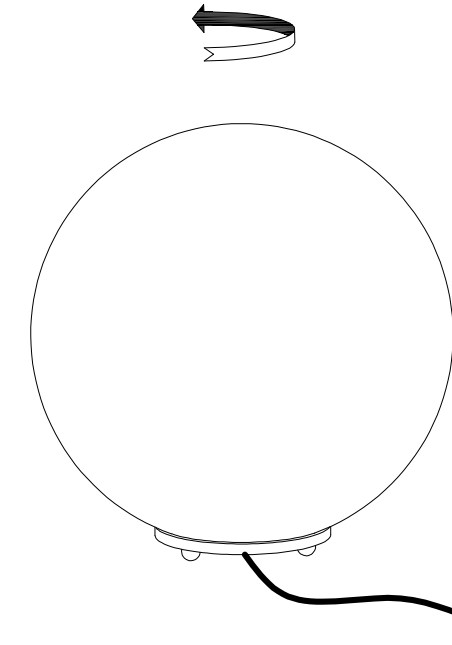
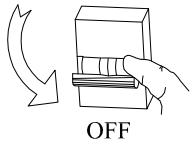
180.0 ——— 0.0
270.0 ——— 90.0



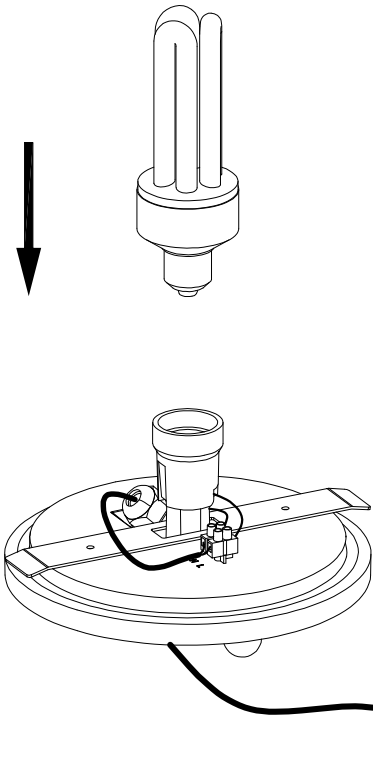


PLANTILLA DE INSTALACIÓN
INSTALLATION TEMPLATE

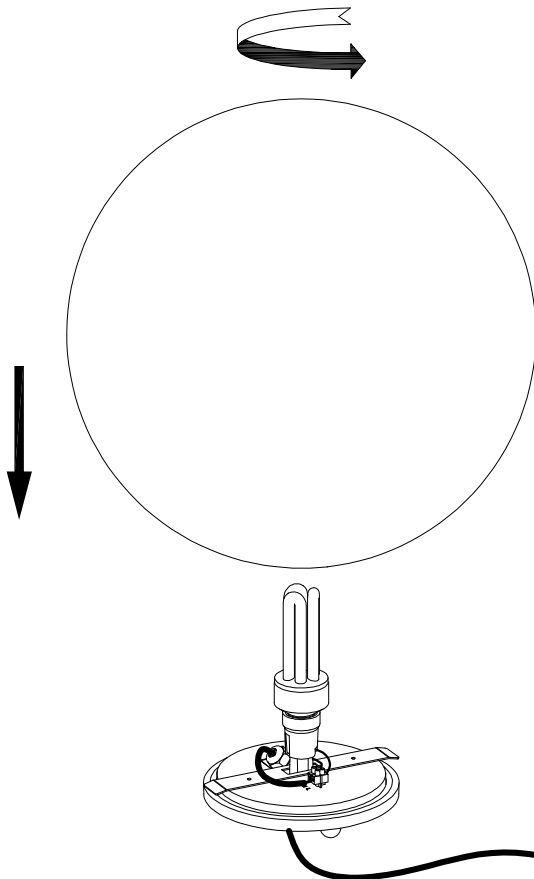
①



②



③



④

