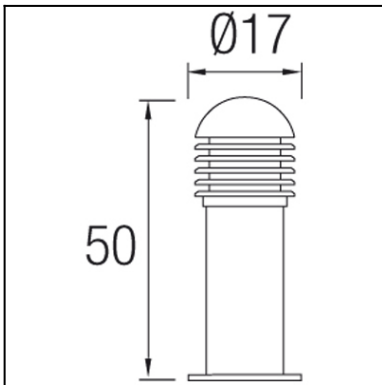




The photograph may not match the reference exactly. Please read the product description to identify the finish.



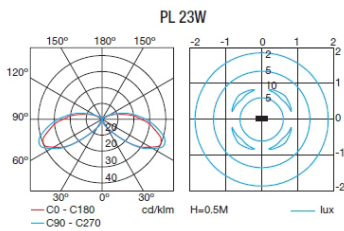
TECHNICAL CHARACTERISTICS

| | |
|------------------------------|--|
| Type: | Beacon |
| IP Protection degrees: | IP44 |
| IK Protection degrees: | IK08 |
| Light source 1: | 1 x E27 Max.100W Maximum lamp length: 140.00 mm Maximum lamp diameter: 55.00 mm |
| Total power consumption (W): | 100 |
| Voltage / Frequency: | 220-240V/50-60Hz |
| Warranty (Years): | 2 |
| Units per box: | 4 |
| Net Weight (Kg): | 1.92 |
| EAN: | 8435111075913 |

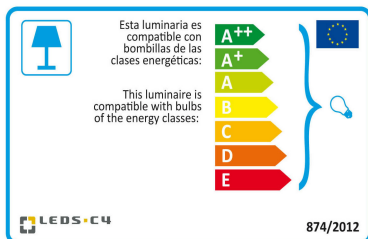


MATERIALS / FINISHES

| | | | |
|----------------------------|-----------------------|---------------------------|---------------|
| Structure material: | High purity aluminium | Diffuser material: | Polycarbonate |
| Structure finish: | Urban grey | Diffuser finish: | Matt |



Download photometric file .ldt / .ies

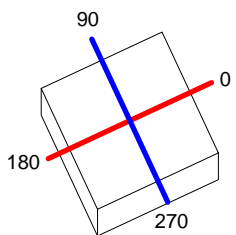


Click on image to download energy label

| | | | | | | |
|----------------------------|---------------|-----------------------------|-----------------|--------------|------------|--------|
| Luminaire | | Measur. | | Lamp | | |
| Code | 55-9319-34-Z5 | Code | LEDS021 | Code | TC-DSE 23W | |
| Name | BALIZAS | Name | BALIZAS | Number | 1 | |
| Line | Eulumdat | Date | 29-04-1994 | Position | | |
| Efficiency | 15.00% | Coordinate system | CG | Total Flux | 1500.00 lm | |
| Maximum value | 54.60 cd | Position | C=40.00 G=75.00 | Asymmetrical | | |
| Rectangular Luminaire | Length | 170 mm | Width | 170 mm | Height | 498 mm |
| Rectangular Luminous Area | Length | 125 mm | Width | 125 mm | Height | 0 mm |
| Horizontal Luminous Area | 0.015625 m2 | Emitting area on Plane 180° | | 0.000000 m2 | | |
| Emitting area on Plane 0° | 0.000000 m2 | Emitting area on Plane 270° | | 0.000000 m2 | | |
| Emitting area on Plane 90° | 0.000000 m2 | Glare area at 76° | | 0.003780 m2 | | |
| Symmetry Type | Asymmetrical | Maximum Gamma Angle | | 180 | | |
| Measurement Distance | 0.00 | Measurement Flux | | 1500.00 lm | | |
| Operator | | Source voltage | | | | |
| Temperature | 25.00 °C | Source current | | | | |
| Humidity | 60.00 % | Photocell | | | | |
| Notes | | | | | | |

| Luminaire Lamps | | | | | | |
|-----------------|--------------|----------------------|-----------|----------|------|-----------|
| Line | Code | Name | Flux [lm] | Pow. [W] | Q.ty | |
| Eulumdat | TC-DSE 23W | TC-DSE 23W - 20.00 W | 1500.00 | 20.00 | 1 | |
| C.I.E. | 0 3 46 65 15 | D DIN 5040 | | | | |
| F UTE | -- | B NBN | | | | B11 BZ 10 |

170mm x 170mm



C Halfplanes

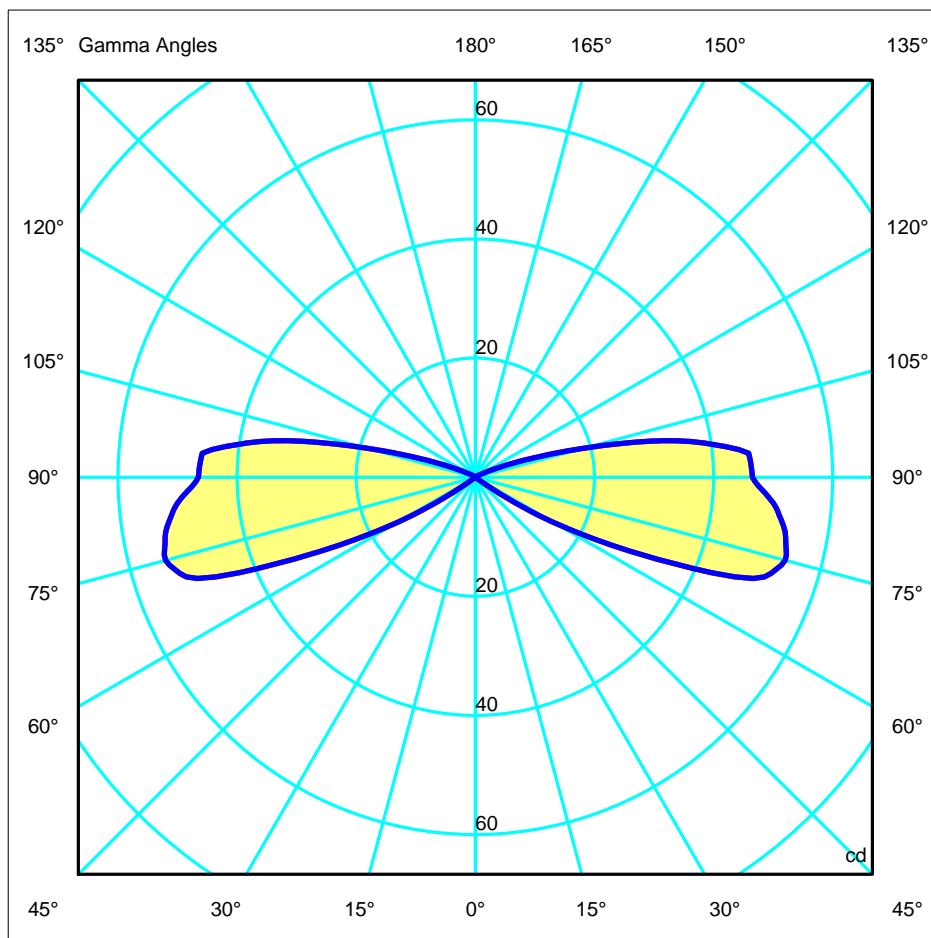
180.0 — 0.0

270.0 — 90.0

ULOR 5.19 %

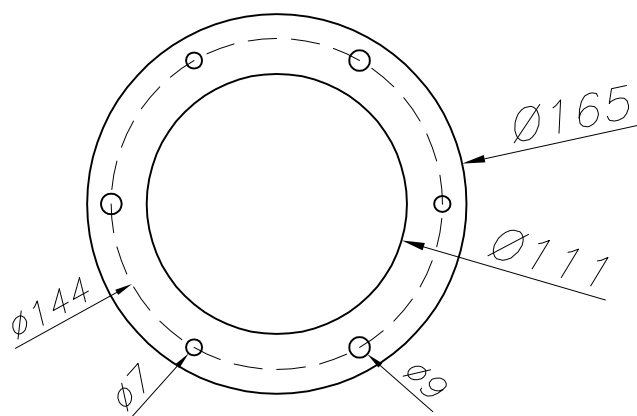
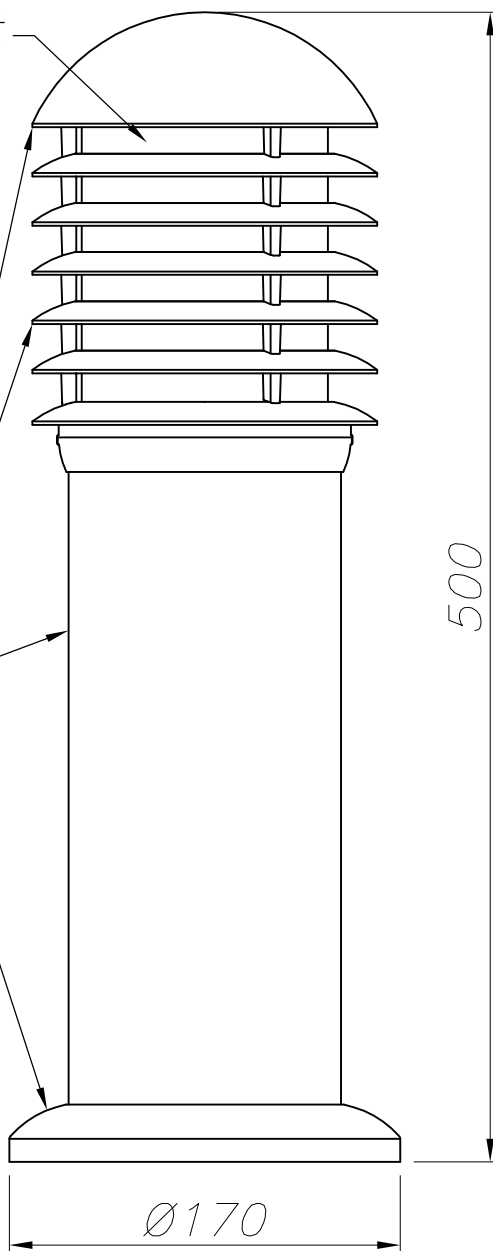
DLOR 9.81 %

RN 34.61 %

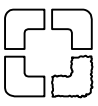


POLICARBONATO TRANSPARENTE MATE
TRANSPARENT MATT POLYCARBONATE

ALUMINIO DE ALTA PUREZA
HIGH QUALITY ALUMINUM



PLANTILLA DE INSTALACIÓN
INSTALLATION TEMPLATE



LEDSONIC

OUTDOOR

55-9318
55-9319
55-9320

