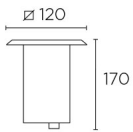


GEA GU10 Uplight recessed



Description

Floor recessed for outdoor use.

For uplighting. The unit will withstand a static weight of 2,000 Kg and the occasional transit of slow-moving vehicles. Includes flush-mounting box. Suitable for installation in marine environments. Includes 2 cable outlets to facilitate chain mounting. Maximum light surface temperature below 80°C. Structure material: Stainless steel AISI316, Technopolymer. Structure finish: Polished. Diffuser material: Glass. Diffuser finish: Tempered. UV protection. Warranty: 5 Years.

Finish
Polished
Tempered

Material
Stainless steel AISI316
Technopolymer
Glass



TECHNICAL CHARACTERISTICS

Light source

Lampholder: 1 x GU10
Output (W): MAX 50W
Total power consumption (W): 50
Lamp maximum dimension: 80/ mm
Real Lumen: 230
Quantity: 1
Lm/Real W: 5

Luminaire

Temperature on the surface: 80.00
Double cable exit: Yes
Drainage: Yes
Public Areas: 2000
Seaside: Yes
Uv Protection: Yes
Warranty: 5 Years

Logistics

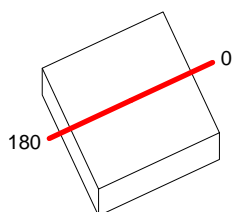
Energy Efficiency: NO BULB
EAN Code: 8435381435165
Net Weight (Kg): 0.715
Weight in Kg (packaged): 1.025
Packing: 135 x 135 x 180
Masterbox: 8

The photograph may not match the reference exactly. Please read the product description to identify the finish.

Luminaire		Measur.		Lamp		
Code	55-9281	Code	74_03_03	Code	GU10 35W	
Name	GEA	Name	GEA	Number	1	
Line	Eulumdat	Date	29-04-1994	Position		
Efficiency	100.00%	Coordinate system	CG	Total Flux	230.00 lm	
Maximum value	526.70 cd	Position	C=0.00 G=1.00	Rotosymmetrical		
Rectangular Luminaire	Length	130 mm	Width	130 mm	Height	170 mm
Rectangular Luminous Area	Length	100 mm	Width	100 mm	Height	0 mm
Horizontal Luminous Area	0.010000 m2	Emitting area on Plane 180°		0.000000 m2		
Emitting area on Plane 0°	0.000000 m2	Emitting area on Plane 270°		0.000000 m2		
Emitting area on Plane 90°	0.000000 m2	Glare area at 76°		0.002419 m2		
Symmetry Type	Rotosymmetrical	Maximum Gamma Angle		180		
Measurement Distance	0.00	Measurement Flux		230.10 lm		
Operator		Source voltage				
Temperature	25.00 °C	Source current				
Humidity	60.00 %	Photocell				
Notes						

Line		Code		Luminaire Lamps		Flux [lm]	Pow. [W]	Q.ty
Eulumdat		GU10 35W		Name		230.00	50.00	1
				GU10 35W - 50.00 W				
C.I.E.	82 94 97 100 100			D DIN 5040	A60			
F UTE	1.00 B			B NBN	BZ 1			

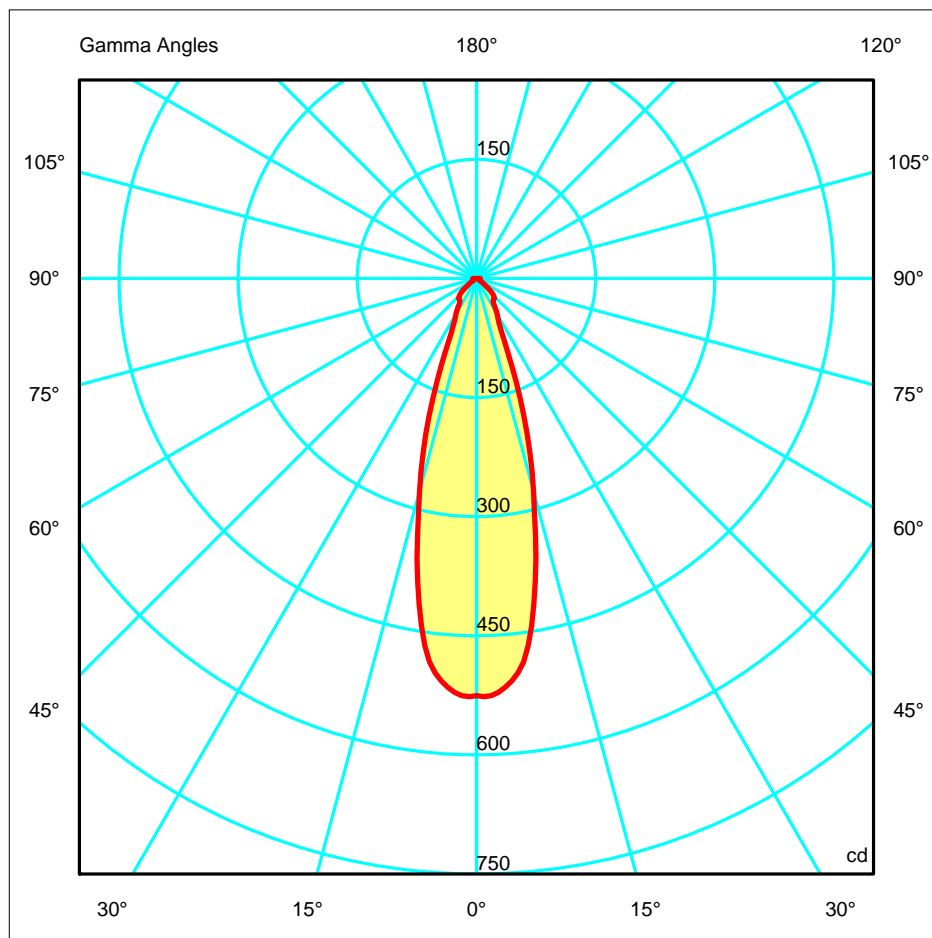
130mm x 130mm



C Halfplanes

180.0 — 0.0

ULOR 0.11 %
DLOR 99.88 %
RN 0.11 %

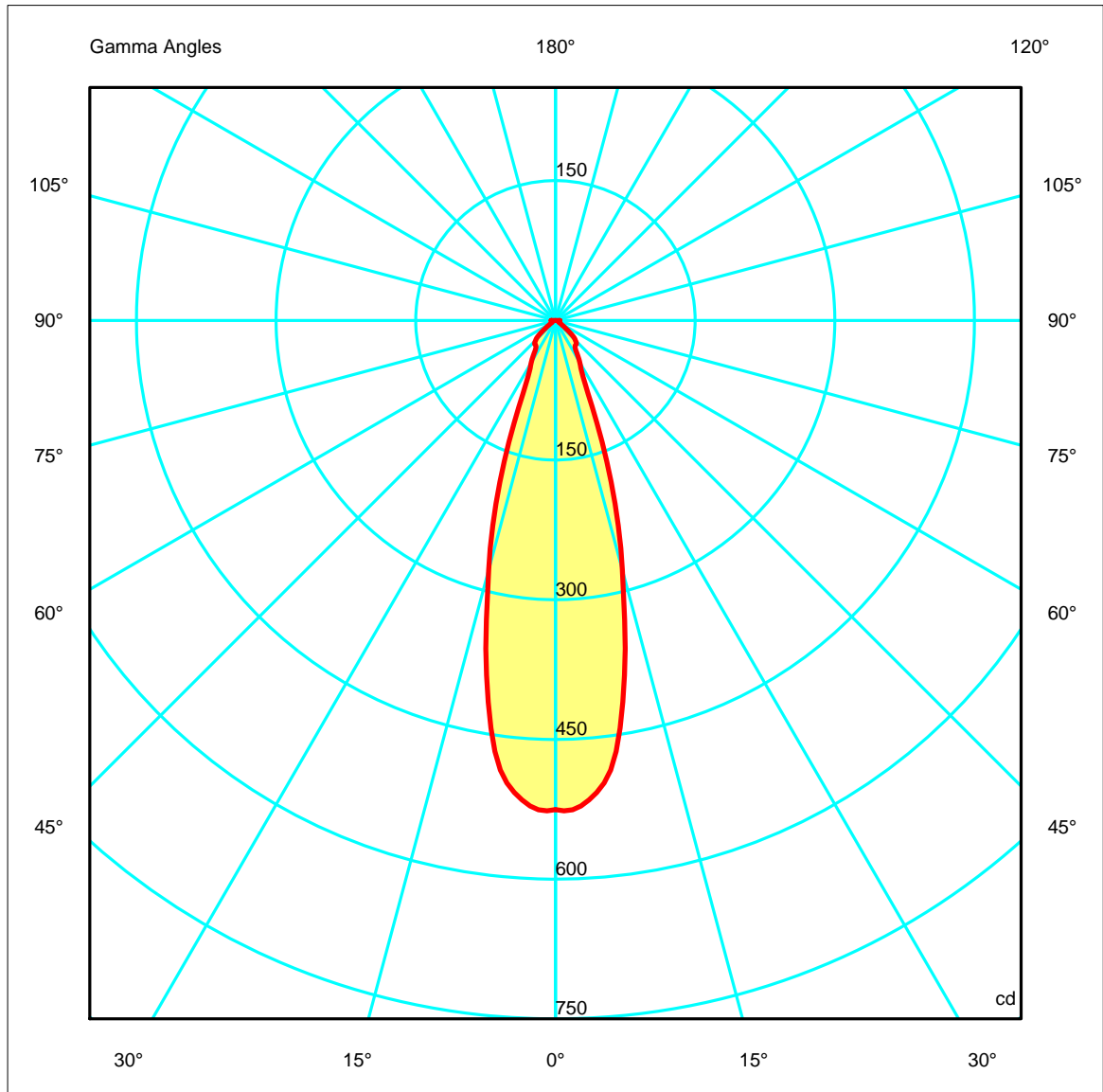
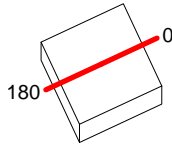


Luminaire		Measur.		Lamp	
Code	55-9281	Code	74_03_03	Code	GU10 35W
Name	GEA	Name	GEA	Number	1
Line	Eulumdat	Date	29-04-1994	Position	
Efficiency	100.00%	Coordinate system	CG	Total Flux	230.00 lm

130mm x 130mm

C Halfplanes

180.0  0.0



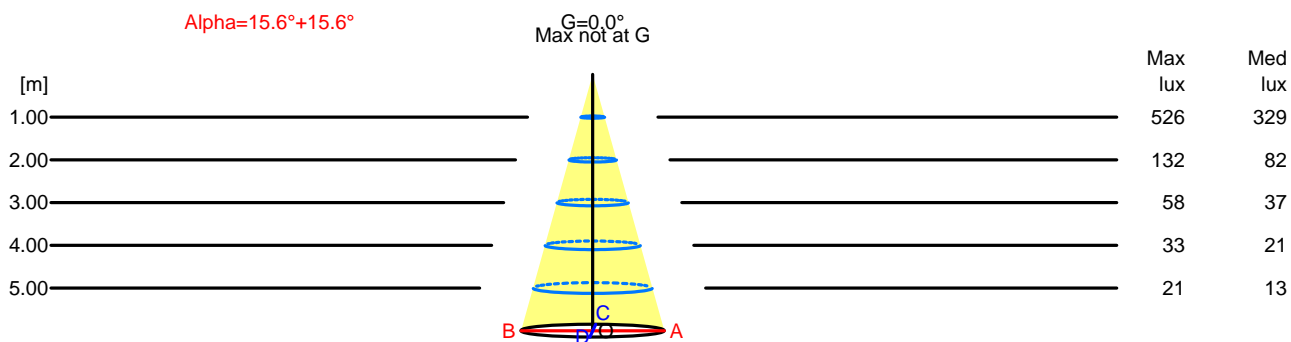
Luminaire		Measur.		Lamp	
Code	55-9281	Code	74_03_03	Code	GU10 35W
Name	GEA	Name	GEA	Number	1
Line	Eulumdat	Date	29-04-1994	Position	
Efficiency	100.00%	Coordinate system	CG	Total Flux	230.00 lm

Width at 50.00 % of Max Intensity

H[m]	1.00	2.00	3.00	4.00	5.00	H[m]	1.00	2.00	3.00	4.00	5.00
OA	0.28	0.56	0.84	1.12	1.40	OC	0.28	0.56	0.84	1.12	1.40
OB	0.28	0.56	0.84	1.12	1.40	OD	0.28	0.56	0.84	1.12	1.40

Luminous Intensities [cd]

	0	5	15	25	35	45	55	65	75	85
OA	525.34	508.84	277.42	75.45	37.04	30.19	8.81	4.09	4.28	4.12
OB	525.34	508.84	277.42	75.45	37.04	30.19	8.81	4.09	4.28	4.12
OC	525.34	508.84	277.42	75.45	37.04	30.19	8.81	4.09	4.28	4.12
OD	525.34	508.84	277.42	75.45	37.04	30.19	8.81	4.09	4.28	4.12

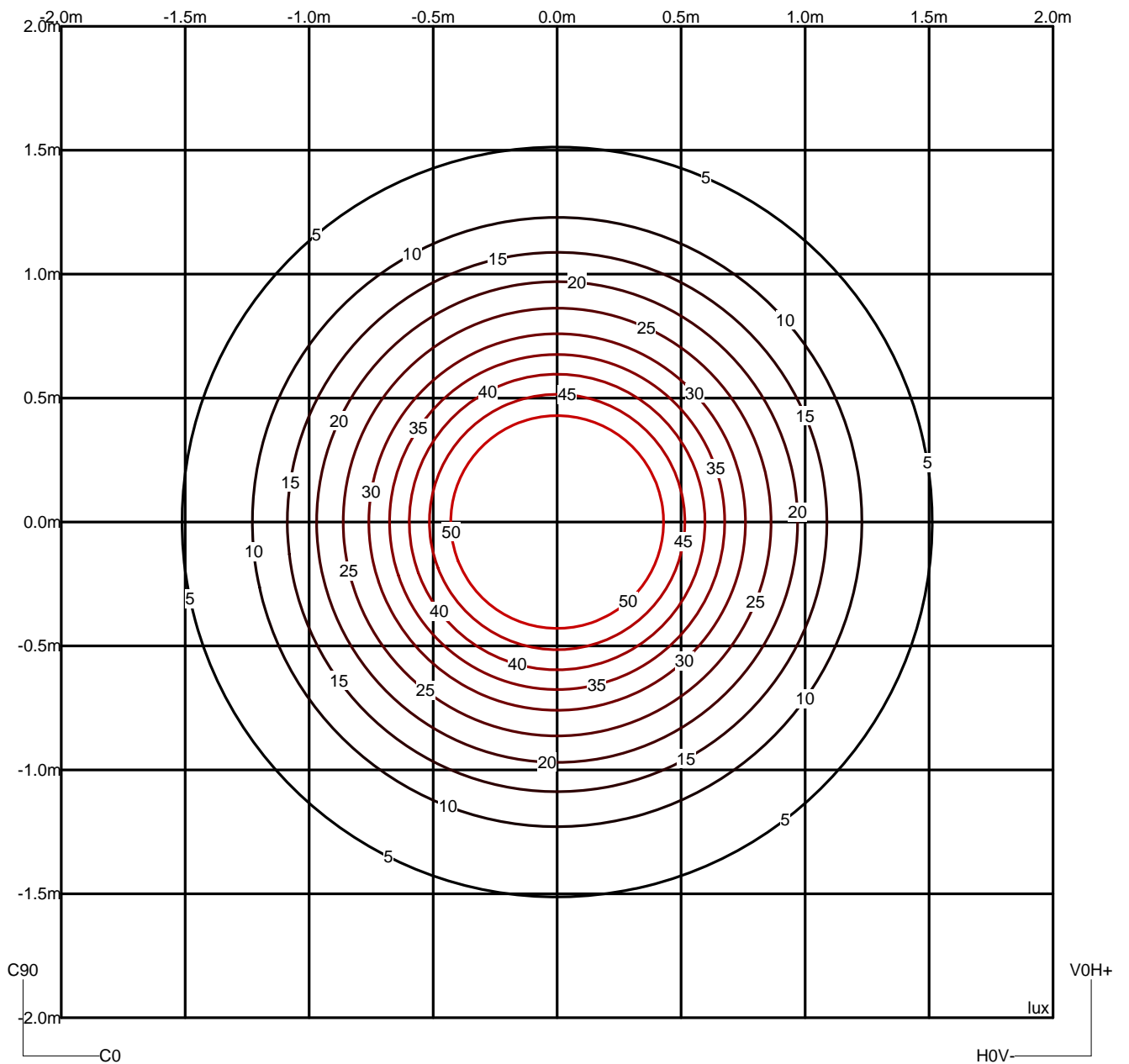


H[m]	D[m]	Max lux	Med lux	Alpha=15.6°+15.6°	G=0.0 Max not at G	
1.00	0.56	526	329			
2.00	1.12	132	82			
3.00	1.68	58	37			
4.00	2.24	33	21			
5.00	2.80	21	13			

Luminaire		Measur.		Lamp	
Code	55-9281	Code	74_03_03	Code	GU10 35W
Name	GEA	Name	GEA	Number	1
Line	Eulumdat	Date	29-04-1994	Position	
Efficiency	100.00%	Coordinate system	CG	Total Flux	230.00 lm

Isolux (Floor)

Luminaire position X=0.00m Y=0.00m Z=3.00m



Luminaire
 Code 55-9281
 Name GEA
 Line Eulumdat

Measur.
 Code 74_03_03
 Name GEA
 Date 29-04-1994

Lamp
 Code GU10 35W
 Number 1
 Position

Efficiency 100.00%

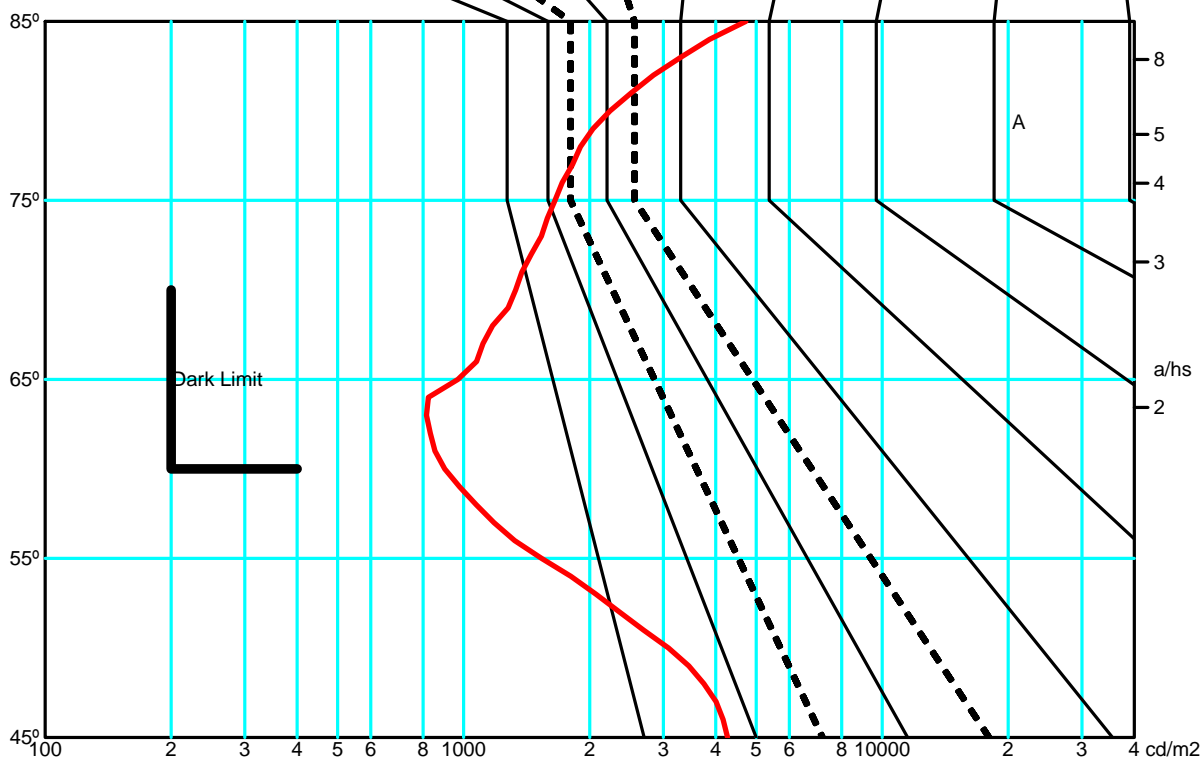
Coordinate system CG

Total Flux 230.00 lm

Average Luminance [cd/m²]

0.0°	45°	50°	55°	60°	65°	70°	75°	80°	85°	---
	4269	3087	1535	901	968	1331	1652	2237	4722	

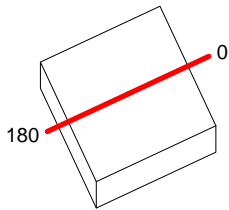
Flush mounted or longitudinal view												
		Illumination(lx)										
A	A	2000	1000	750	500		<300					1.15
B	1		2000	1500	1000	750	500	<300				1.5
C					2000		1000	500	<300			1.85
D	2						2000	1000	500	<300		2.2
E	3							2000	1000	500	<300	2.55



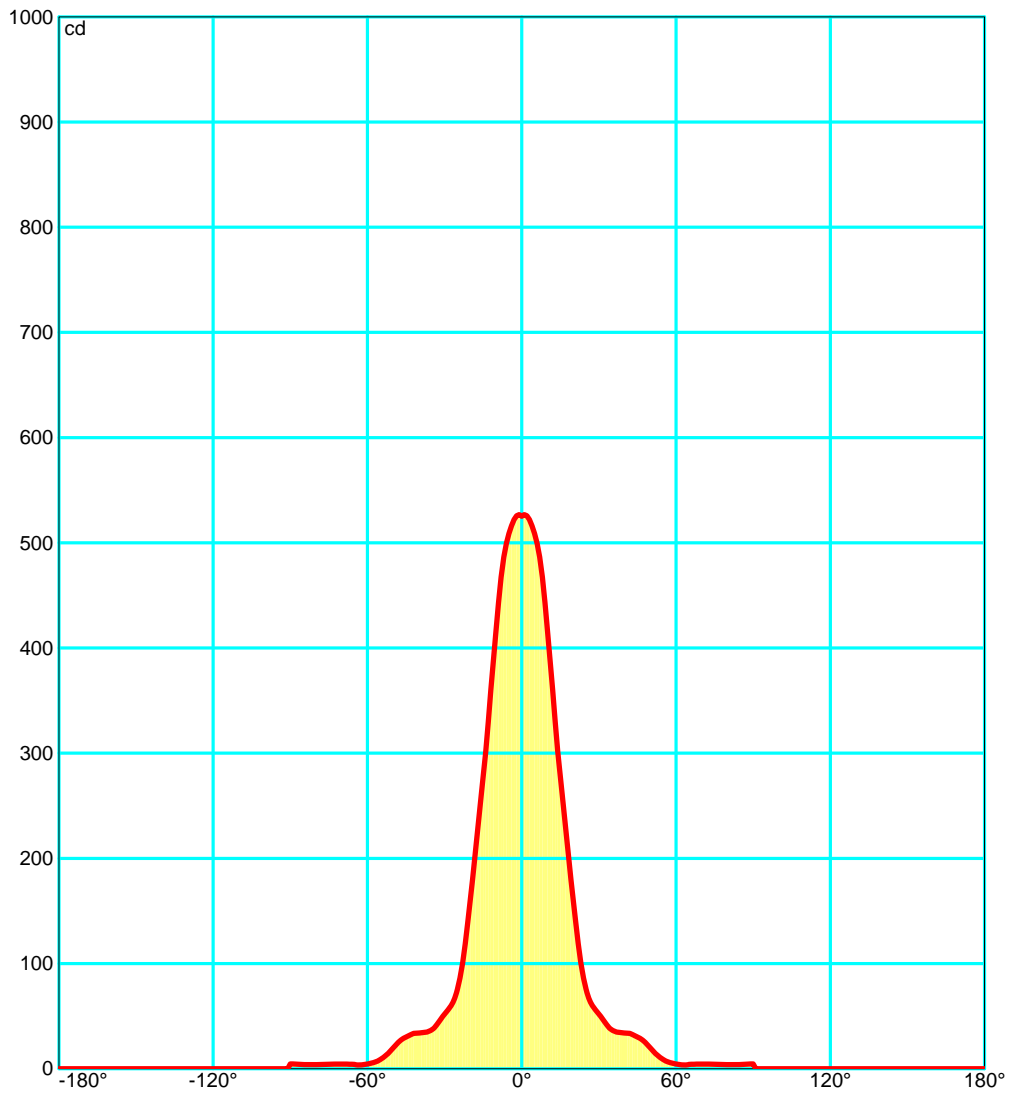
Luminaire		Measur.		Lamp	
Code	55-9281	Code	74_03_03	Code	GU10 35W
Name	GEA	Name	GEA	Number	1
Line	Eulumdat	Date	29-04-1994	Position	
Efficiency	100.00%	Coordinate system	CG	Total Flux	230.00 lm

130mm x 130mm

C Halfplanes



180.0 ————— 0.0



Luminaire		Measur.		Lamp	
Code	55-9281	Code	74_03_03	Code	GU10 35W
Name	GEA	Name	GEA	Number	1
Line	Eulumdat	Date	29-04-1994	Position	
Efficiency	100.00%	Coordinate system	CG	Total Flux	230.00 lm

UGR
S = 0.250

Reflectancies										
Ceiling/Cavity	0.7	0.7	0.5	0.5	0.3	0.7	0.7	0.5	0.5	0.3
Walls	0.5	0.3	0.5	0.3	0.3	0.5	0.3	0.5	0.3	0.3
WorkingPlane	0.2	0.2	0.2	0.2	0.2	0.2	0.2	0.2	0.2	0.2
RoomDimensions	ViewedCrosswise					ViewedEndwise				
x=2H y=2H	11.5	12.3	11.7	12.5	12.7	11.5	12.3	11.7	12.5	12.7
x=2H y=3H	12.1	12.8	12.3	13.1	13.3	12.1	12.8	12.3	13.1	13.3
x=2H y=4H	12.7	13.4	13.0	13.7	14.0	12.7	13.4	13.0	13.7	14.0
x=2H y=6H	13.6	14.2	13.9	14.5	14.8	13.6	14.2	13.9	14.5	14.8
x=2H y=8H	14.2	14.9	14.6	15.2	15.5	14.2	14.9	14.6	15.2	15.5
x=2H y=12H	15.1	15.8	15.5	16.1	16.4	15.1	15.8	15.5	16.1	16.4
x=4H y=2H	11.5	12.3	11.8	12.5	12.8	11.5	12.3	11.8	12.5	12.8
x=4H y=3H	12.5	13.1	12.8	13.4	13.7	12.5	13.1	12.8	13.4	13.7
x=4H y=4H	13.4	13.9	13.7	14.3	14.6	13.4	13.9	13.7	14.3	14.6
x=4H y=6H	14.6	15.0	15.0	15.4	15.8	14.6	15.0	15.0	15.4	15.8
x=4H y=8H	15.4	15.9	15.9	16.3	16.7	15.4	15.9	15.9	16.3	16.7
x=4H y=12H	16.6	17.0	17.0	17.4	17.8	16.6	17.0	17.0	17.4	17.8
x=8H y=4H	13.8	14.3	14.3	14.7	15.1	13.8	14.3	14.3	14.7	15.1
x=8H y=6H	15.3	15.7	15.8	16.1	16.6	15.3	15.7	15.8	16.1	16.6
x=8H y=8H	16.4	16.7	16.9	17.2	17.7	16.4	16.7	16.9	17.2	17.7
x=8H y=12H	17.9	18.1	18.3	18.6	19.1	17.9	18.1	18.3	18.6	19.1
x=12H y=4H	14.0	14.3	14.4	14.7	15.2	14.0	14.3	14.4	14.7	15.2
x=12H y=6H	15.6	15.9	16.1	16.4	16.8	15.6	15.9	16.1	16.4	16.8
x=12H y=8H	16.8	17.1	17.3	17.5	18.0	16.8	17.1	17.3	17.5	18.0

Luminaire
 Code 55-9281
 Name GEA
 Line Eulumdat

Measur.
 Code 74_03_03
 Name GEA
 Date 29-04-1994

Lamp
 Code GU10 35W
 Number 1
 Position

Efficiency 100.00% Coordinate system CG Total Flux 230.00 lm

Total Flux=230.00 Luminaire Flux=229.99

RI	0.60	0.80	1.00	1.25	1.50	2.00	2.50	3.00	4.00	5.00	10.00	20.00
DRR	0.59	0.65	0.71	0.75	0.79	0.84	0.88	0.90	0.93	0.94	0.97	0.99
RC	-	-	-	-	1	1	1	1	1	1	-	-

Zonal Flux per 1000 Lumen

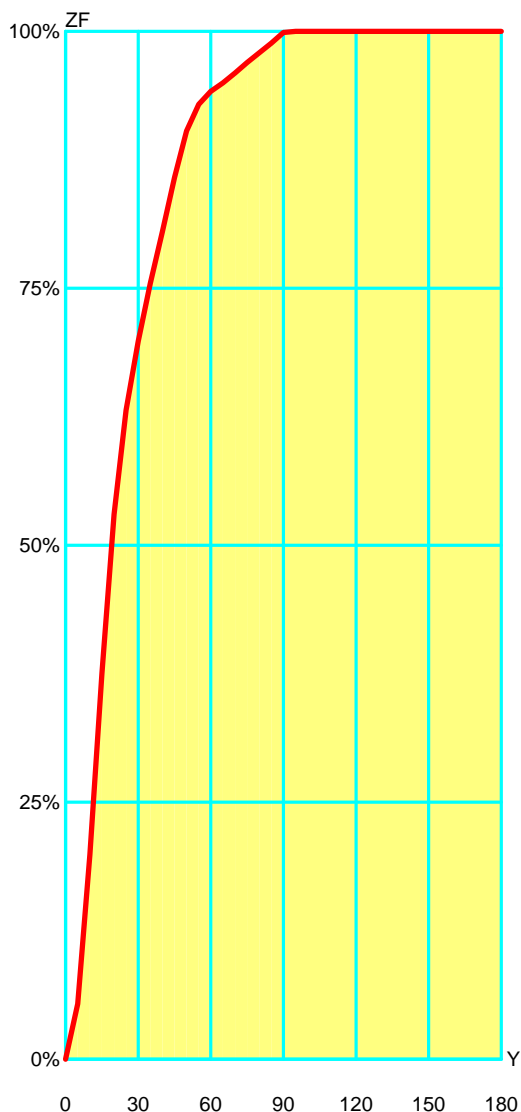
Y°	10	20	30	40	50	60	70	80	90	100	110	120	130	140	150	160	170	180
ZF(Y)	199	530	698	805	903	942	960	979	999	1000	1000	1000	1000	1000	1000	1000	1000	1000

CIE Flux Codes

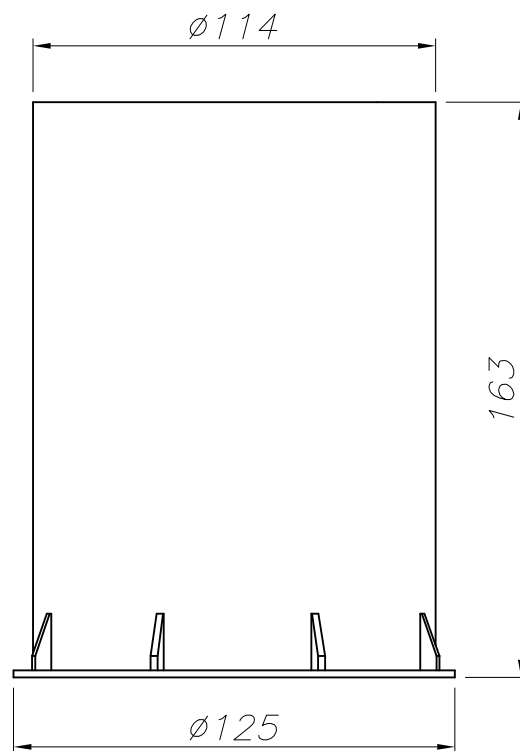
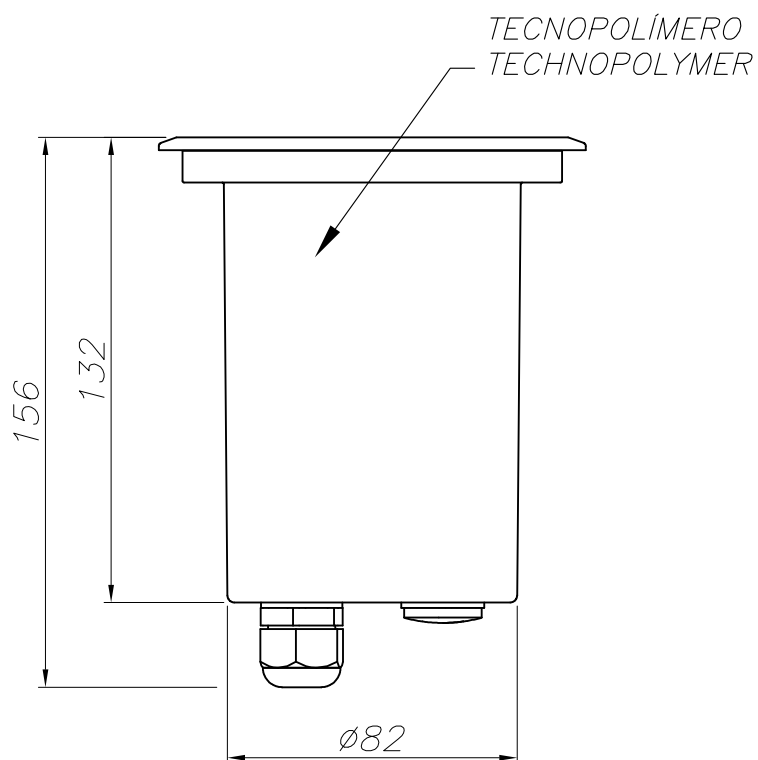
82 94 97 100 100

C.I.E.	-/-/-/1/1/1/1/1/1/-/-
D DIN 5040	A60
F UTE	1.00 B
B NBN	BZ 1
RN	0.11126 %
BLF	1.0

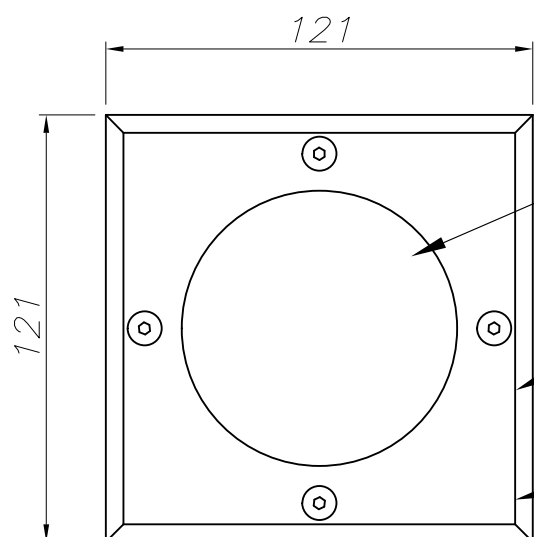
LOR	99.99556 %
ULOR	0.11125 %
DLOR	99.88430 %
UFF	0.11126 %
DFF	99.88874 %
FFR	0.11138 %



Zonal Flux				
Gamma °	Flux	Sum lm	Flux [%]	Sum [%]
0°	0.00	0.00	0.00%	0.00 %
5°	53.93	53.93	5.39 %	5.39 %
10°	145.22	199.15	14.52 %	19.92 %
15°	175.78	374.92	17.58 %	37.49 %
20°	155.03	529.96	15.50 %	53.00 %
25°	101.45	631.40	10.15 %	63.14 %
30°	67.07	698.47	6.71 %	69.85 %
35°	56.09	754.56	5.61 %	75.46 %
40°	50.62	805.17	5.06 %	80.52 %
45°	52.70	857.87	5.27 %	85.79 %
50°	45.22	903.10	4.52 %	90.31 %
55°	25.92	929.02	2.59 %	92.91 %
60°	12.51	941.52	1.25 %	94.16 %
65°	8.31	949.83	0.83 %	94.99 %
70°	9.69	959.52	0.97 %	95.96 %
75°	10.10	969.63	1.01 %	96.97 %
80°	9.39	979.01	0.94 %	97.91 %
85°	9.43	988.44	0.94 %	98.85 %
90°	10.40	998.84	1.04 %	99.89 %
95°	1.11	999.96	0.11 %	100.00 %
100°	0.00	999.96	0.00 %	100.00 %
105°	0.00	999.96	0.00 %	100.00 %
110°	0.00	999.96	0.00 %	100.00 %
115°	0.00	999.96	0.00 %	100.00 %
120°	0.00	999.96	0.00 %	100.00 %
125°	0.00	999.96	0.00 %	100.00 %
130°	0.00	999.96	0.00 %	100.00 %
135°	0.00	999.96	0.00 %	100.00 %
140°	0.00	999.96	0.00 %	100.00 %
145°	0.00	999.96	0.00 %	100.00 %
150°	0.00	999.96	0.00 %	100.00 %
155°	0.00	999.96	0.00 %	100.00 %
160°	0.00	999.96	0.00 %	100.00 %
165°	0.00	999.96	0.00 %	100.00 %
170°	0.00	999.96	0.00 %	100.00 %
175°	0.00	999.96	0.00 %	100.00 %
180°	0.00	999.96	0.00 %	100.00 %



CAJA DE EMPOTRAR
FLUSH FITTING BOX



CRISTAL TEMPLADO TRANSPARENTE
TRANSPARENT TEMPERED GLASS

ACERO INOXIDABLE AISI 304
STAINLESS STEEL AISI 304
55-9281-Y4-37

ACERO INOXIDABLE AISI 316
STAINLESS STEEL AISI 316
55-9281-CA-37

