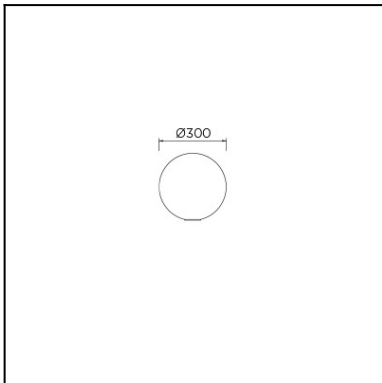
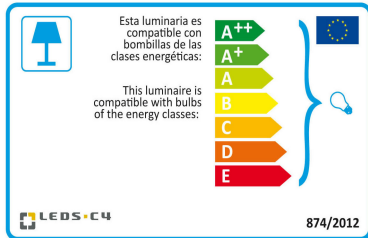




The photograph may not match the reference exactly. Please read the product description to identify the finish.



Download photometric file .ldt /.ies



Click on image to download energy label

TECHNICAL CHARACTERISTICS

Type:	Table lamp
IP Protection degrees:	IP44
IK Protection degrees:	IK06
Light source 1:	1 x E27 MAX 100W
Total power consumption (W):	100
Voltage / Frequency:	230V/50-60Hz
Warranty (Years):	2
Units per box:	4
Net Weight (Kg):	0.97
EAN:	8435111082775



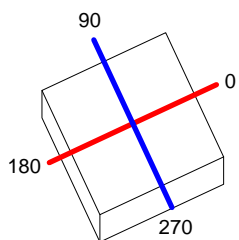
MATERIALS / FINISHES

Structure material:	Methacrylate	Diffuser material:	Methacrylate
Structure finish:	White	Diffuser finish:	Opal

Luminaire		Measur.		Lamp		
Code	55-9155-Z5	Code	55-9155-Y4-M1	Code	TC-DSE 23W	
Name	CISNE	Name	CISNE	Number	1	
Line	Eulumdat	Date	29-04-1994	Position		
Efficiency	66.48%	Coordinate system	CG	Total Flux	1500.00 lm	
Maximum value	101.25 cd	Position	C=60.00 G=40.00	Double Symmetrical		
Rectangular Luminaire	Length	298 mm	Width	297 mm	Height	295 mm
Rectangular Luminous Area	Length	50 mm	Width	50 mm	Height	300 mm
Horizontal Luminous Area	0.002500 m2	Emitting area on Plane 180°		0.015000 m2		
Emitting area on Plane 0°	0.015000 m2	Emitting area on Plane 270°		0.015000 m2		
Emitting area on Plane 90°	0.015000 m2	Glare area at 76°		0.015159 m2		
Symmetry Type	Double Symmetrical	Maximum Gamma Angle		180		
Measurement Distance	0.00	Measurement Flux		1500.00 lm		
Operator		Source voltage				
Temperature	25.00 °C	Source current				
Humidity	60.00 %	Photocell				
Notes						

Luminaire Lamps					
Line	Code	Name	Flux [lm]	Pow. [W]	Q.ty
Eulumdat	TC-DSE 23W	TC-DSE 23W - 23.00 W	1500.00	23.00	1
C.I.E.	26 52 77 61 66	D DIN 5040		B11	
F UTE	0.41 J + 0.26 T	B NBN		BZ 8	

298mm x 297mm



C Halfplanes

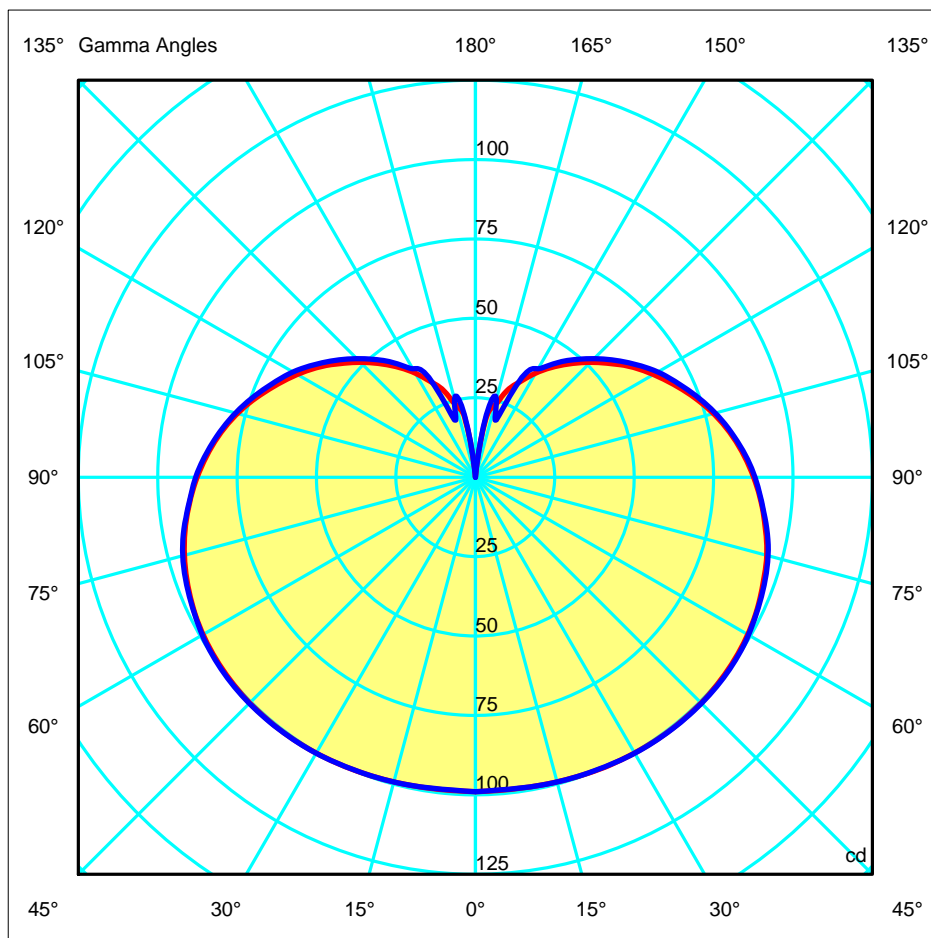
180.0 — 0.0

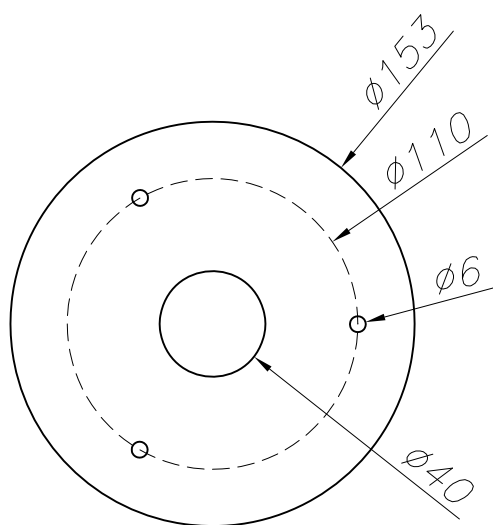
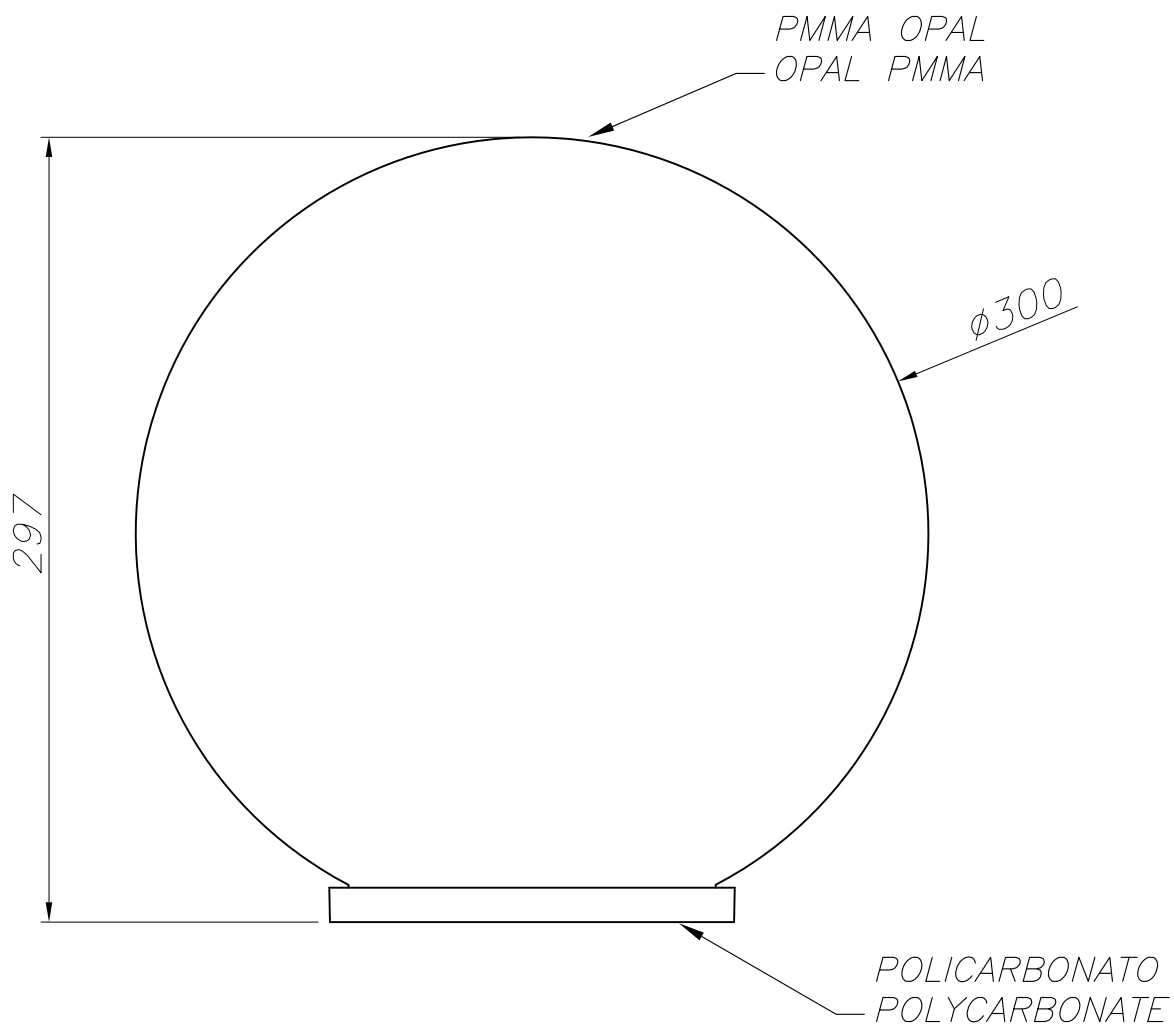
270.0 — 90.0

ULOR 25.71 %

DLOR 40.76 %

RN 38.68 %





PLANTILLA DE INSTALACIÓN
INSTALLATION TEMPLATE

