

Triac/0-10V/1-10V/Potentiometer/10V PWM 5 in 1 Dimmable LED driver

- constant voltage 100W

**Whole Family**  
**KVG-xxxxx-DHS 12V 24VDC**  
**30W 36W 60W 100W**  
**Plastic Linear**



■ **Features:**

- Output constant Voltage
- Range: 200-240VAC
- Built-in active PFC function
- Efficiency up to 87%
- Protections: short circuit/over load/ over temperature
- Cooling by free air convection
- IP20 design for indoor installation
- Dimming function:  
 Phase dimming: work with leading edge and trailing edge TRIAC dimmers  
 1-10V dimming: 0-10V/1-10V/Potentiometer/10V PWM 4 in 1
- Dimming range: 0-100% and suitable for intelligent LED lighting



■ **Specification**

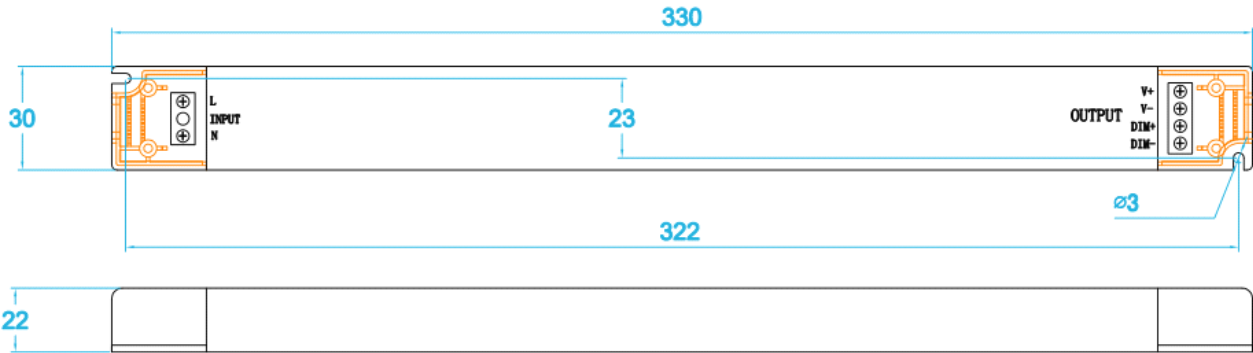
Model		KVG-12100-DHS	KVG-24100-DHS
<b>Output</b>	DC Voltage	12V	24V
	Voltage Tolerance	±0.5V	
	Voltage Regulation	± 0.5%	
	Rated current	8.33A	4.17A
	Rated power	100W	
	Load Regulation	± 2%	
<b>Input</b>	Voltage Range	200-240VAC	
	Frequency Range	47 - 63Hz	
	Power Factor(Typ.)@ full load	PF≥0.96/230VAC	
	THD(Typ. ) @ full load	< 10%	
	Efficiency(Typ.)@ full load	85%	87%
	AC Current(Max.)	0.8A	0.8A
	Inrush Current (Typ.)	72A,50%,116us	
	Leakage current	<0.5mA	
<b>Protection</b>	Short Circuit	shut down o/p voltage, re-power on to recover after fault condition is removed	
	Over Load	≤120% Hiccup mode,recovers automatically after fault condition is removed	
	Over temperature	100°C±10°C	
	Protection Class	II	
<b>Environment</b>	Working TEMP.	-40~+60°C (see below derating curve)	
	Working Humidity	20 - 95%RH,non-condensing	
	Storage TEM.,Humidity	-40 - +80°C,10 - 95%RH	
	TEMP.coefficient	±0.03%/°C(0 - 50°C)	
	Vibration	10~500Hz, 2G 10min./1 cycle,period for 60min. each along X,Y,Z axes	
<b>Safety &amp; EMC</b>	Safety standards	EN61347-1 EN61347-2-13 EN62493	
	Withstand voltage	I/P-O/P:3.75KVAC	
	Isolation resistance	I/P-O/P: 100MΩ/500VDC/25°C/70%RH	

Triac/0-10V/1-10V/Potentiometer/10V PWM 5 in 1 Dimmable LED driver

- constant voltage 100W

	EMC Emission	EN55015	EN61000-3-2	EN61000-3-3
	EMC Immunity	EN61000-4-2,3,4,5,6,11		EN61547
<b>Others</b>	Net Weight	0.4Kg		
	Dimension	330*30*22mm(L*W*H)		
	packing	350*330*145mm/	50pcs /CTN	G.W.: KG/CTN
<b>Notes</b>	<p>1. All parameters NOT specially mentioned are measured at 230VAC input , rated load and 25°C of ambient temperature.</p> <p>2. Tolerance: includes set up tolerance, line regulation and load regulation .</p> <p>3. The power supply is considered as a component that will be operated in combination with final Equipment. Since EMC performance will be affected by the complete installation, the final equipment manufactures must be-qualify EMC Directive on the complete installation again.</p>			

**■ Mechanical Specification**



- ※ Input terminals: (L) and (N) to connect to L and N of Mains AC
- ※ Output terminals: LED (+) to LED Positive side (+) , LED (-) to LED Negative side (-).
- ※ Dimming Terminal: DIM (+) to 0/1-10V dimmer signal(+), DIM (-) to 0/1-10V dimmer signal(-)
- ※ Please DO NOT connect “DIM-“ to “LED-“, “DIM+“ to “LED+“ ,or other incorrect connection.
- ※ Please make sure your connect these correctly otherwise your product will not function correctly and could be damaged.
- ※ Note: Any other requests we can customized.

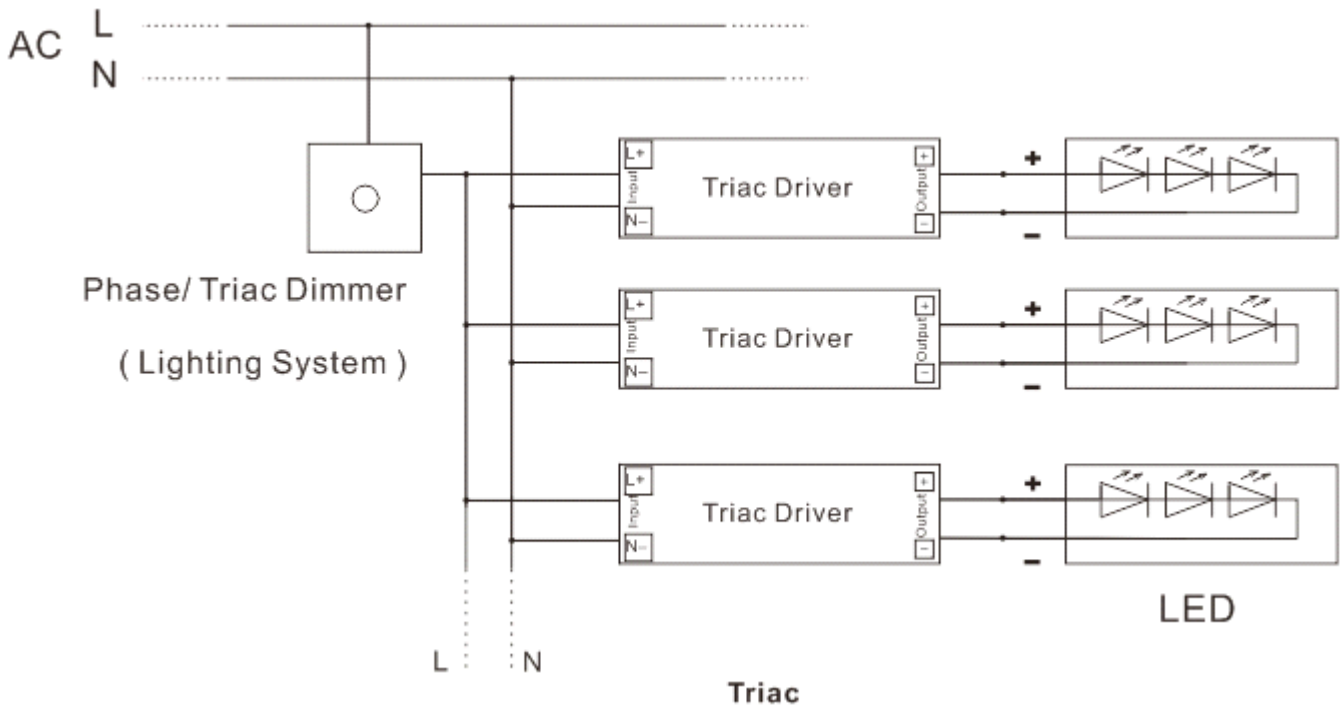
**■ Dimming Operation and Connecting Diagram**

**※ TRIAC/Phase cut dimming**

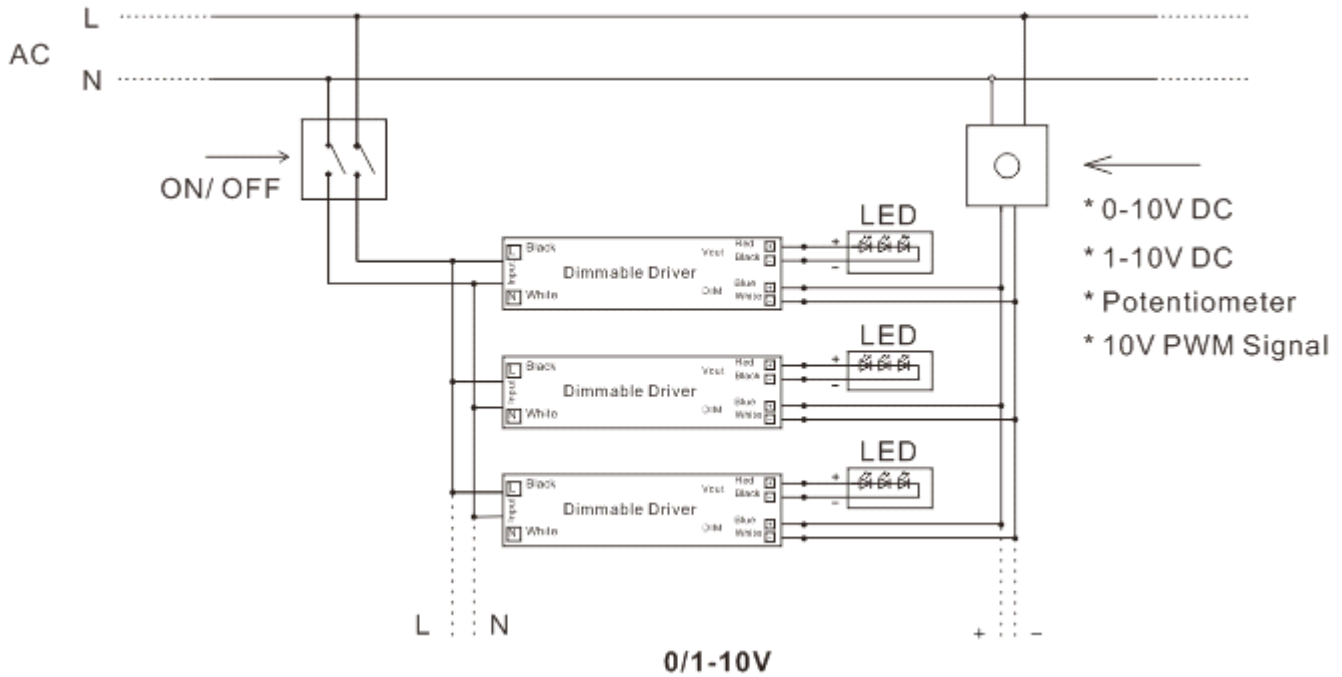
1. The Pulse-Width Modulation (PWM) of output voltage can be adjusted through input terminal of the AC phase line(L) by connection a phase /Triac dimmer of lighting system.
2. Matching with leading edge and trailing edge Triac dimmer or lighting system.
3. Please try to use dimmers with power at least 1.5 times as the output power of the driver.

Triac/0-10V/1-10V/Potentiometer/10V PWM 5 in 1 Dimmable LED driver

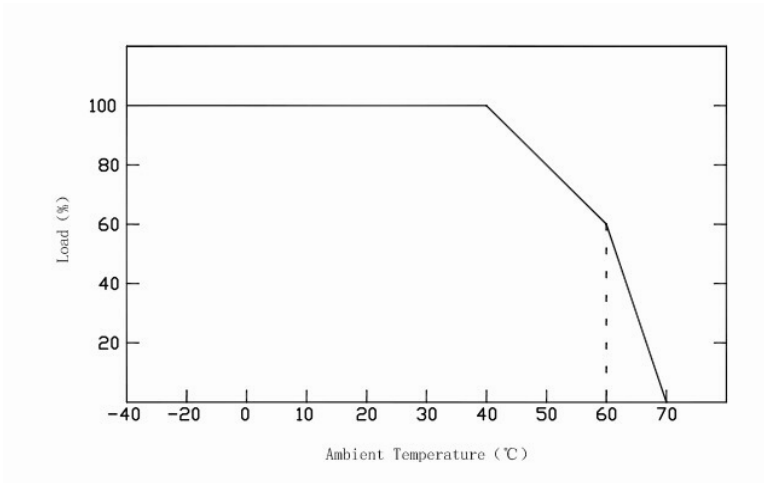
- constant voltage 100W



※ 0-10V/1-10V/Potentiometer/10V PWM



■ Derating Curve



※To extend their life, please refer to the Derating Curve and derate according to the temperature.

**■ Instruction:**

- 1) This driver should be installed by qualified and professional person;
- 2) Please make sure the driver is installed with adequate ventilation around it to allow for heat dissipation.
- 3) Ensure that wiring is correct before test in order to avoid light and power supply damage;
- 4) If driver Cannot work normally, don't maintain privately; Have any question, please contact Zhuhai Shengchang.

Please visit our website or contact us for more information! [www.scpower.net.cn](http://www.scpower.net.cn)