

Triac/0-10V/1-10V/Potentiometer/10V PWM 5 in 1 Dimmable LED driver

- constant voltage 60W

Whole Family
KVG-xxxxx-DHL 12V 24VDC
30W 36W 60W 100W
Aluminum Linear



■ Features:

- Output constant Voltage
- Range: 200-240VAC
- Built-in active PFC function
- Efficiency up to 86%
- Protections: short circuit/over load/ over temperature
- Cooling by free air convection
- IP66 waterproof design for indoor and outdoor installation
- Dimming function:
 Phase dimming: work with leading edge and trailing edge TRIAC dimmers
 1-10V dimming: 0-10V/1-10V/Potentiometer/10V PWM 4 in 1
- Dimming range: 0-100% and suitable for intelligent LED lighting



■ Specification

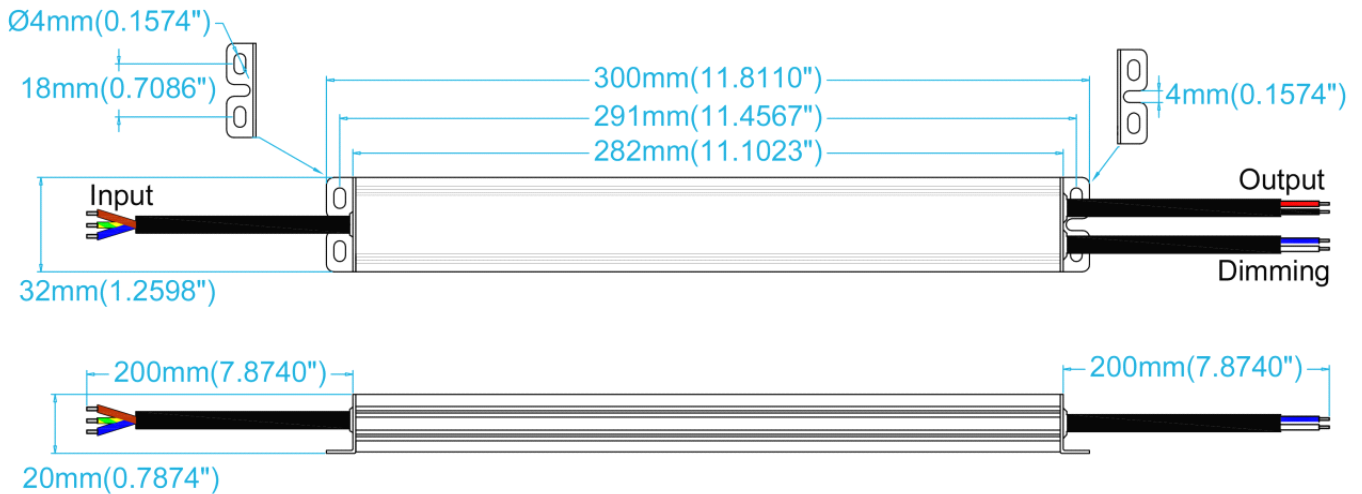
Model		KVG-12060-DHL	KVG-24060-DHL
Output	DC Voltage	12V	24V
	Voltage Tolerance	±0.5V	
	Voltage Regulation	±0.5%	
	Rated current	5A	2.5A
	Rated power	60W	
	Load Regulation	±2%	
Input	Voltage Range	200-240VAC	
	Frequency Range	47 - 63Hz	
	Power Factor(Typ.)@ full load	PF≥0.96/230VAC	
	THD(Typ.) @ full load	<20%	
	Efficiency(Typ.)@ full load	83%	86%
	AC Current(Max.)	0.5A	0.5A
	Inrush Current (Typ.)	57.6A,50%,128us	
	Leakage current	<0.5mA	
Protection	Short Circuit	shut down o/p voltage, re-power on to recover after fault condition is removed	
	Over Load	≤120% Hiccup mode,recovers automatically after fault condition is removed	
	Over temperature	100°C±10°C	
	Protection Class	I	
Environment	Working TEMP.	-40~+60°C (see below derating curve)	
	Working Humidity	20 - 95%RH,non-condensing	
	Storage TEM.,Humidity	-40 - +80°C,10 - 95%RH	
	TEMP.coefficient	±0.03%/°C(0 - 50°C)	
	Vibration	10~500Hz, 5G 10min./1 cycle,period for 60min. each along X,Y,Z axes	
Safety & EMC	Safety standards	EN61347-1 EN61347-2-13 EN62493 IP66	
	Withstand voltage	I/P-O/P:3.75KVAC I/P-FG:1.88KVAC O/P-FG:0.5KVAC	

Triac/0-10V/1-10V/Potentiometer/10V PWM 5 in 1 Dimmable LED driver

- constant voltage 60W

	Isolation resistance	I/P-O/P I/P-FG O/P-FG: 100MΩ/500VDC/25°C/70%RH
	EMC Emission	EN55015 EN61000-3-2 EN61000-3-3
	EMC Immunity	EN61000-4-2,3,4,5,6,11 EN61547
Others	Net Weight	0.45Kg
	Dimension	300*32*20mm(L*W*H)
	packing	330*270*160mm/ 30pcs /CTN G.W.: KG/CTN
Notes	1. All parameters NOT specially mentioned are measured at 230VAC input , rated load and 25°C of ambient temperature. 2. Tolerance: includes set up tolerance, line regulation and load regulation . 3. The power supply is considered as a component that will be operated in combination with final Equipment. Since EMC performance will be affected by the complete installation, the final equipment manufactures must be-qualify EMC Directive on the complete installation again.	

■ Mechanical Specification



- ※ Input cable 3*1.0 mm², the green/yellow cable to (FG) "Brown" to L ,and "Blue" to N of Mains AC
- ※ Output cable 2*1.0 mm²: "Red" (+) to LED Positive side (+) , "Black"(-) to LED Negative side (-).
- ※ Dimming cable 2*0.75 mm²: DIM (+) Blue to 0/1-10V dimmer signal(+), DIM (-) white to 0/1-10V dimmer signal (-)
- ※ Please DO NOT connect "DIM-" to "LED-", "DIM+" to "LED+", or other incorrect connection.
- ※ Please make sure you connect these correctly otherwise your product will not function correctly and could be damaged.
- ※ Note: Any other requests we can customized.

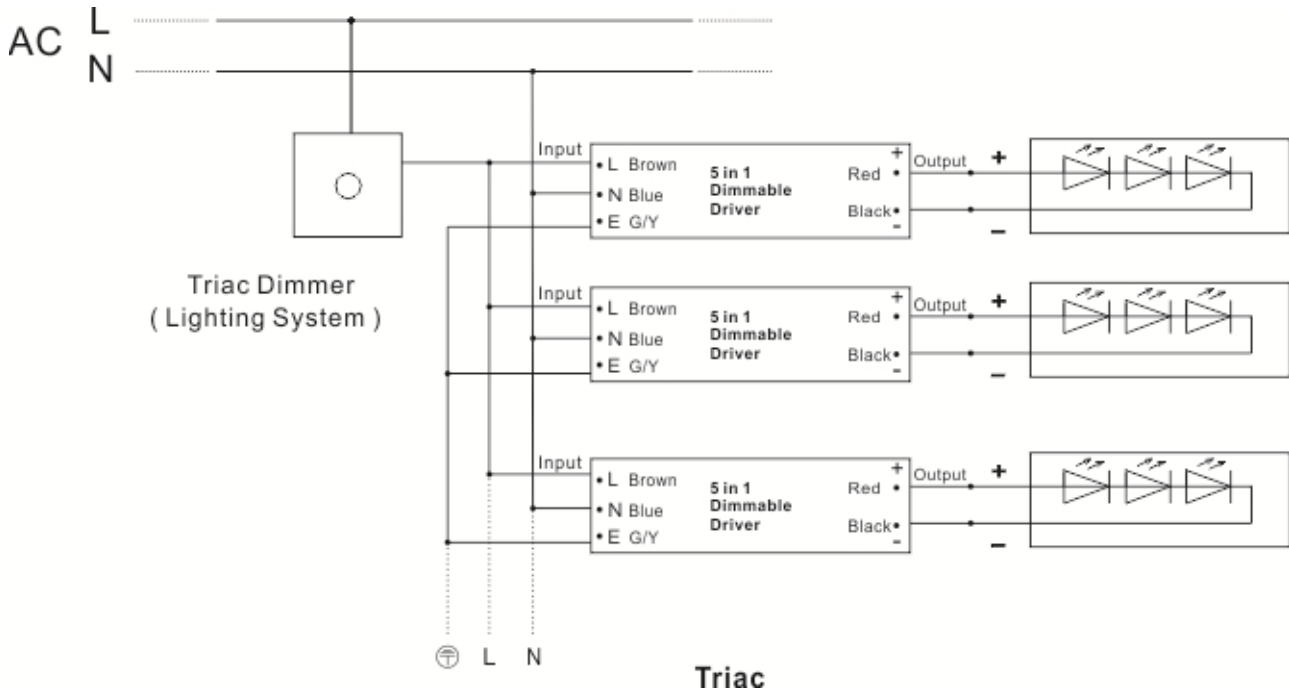
■ Dimming Operation and Connecting Diagram

※ TRIAC/Phase cut dimming

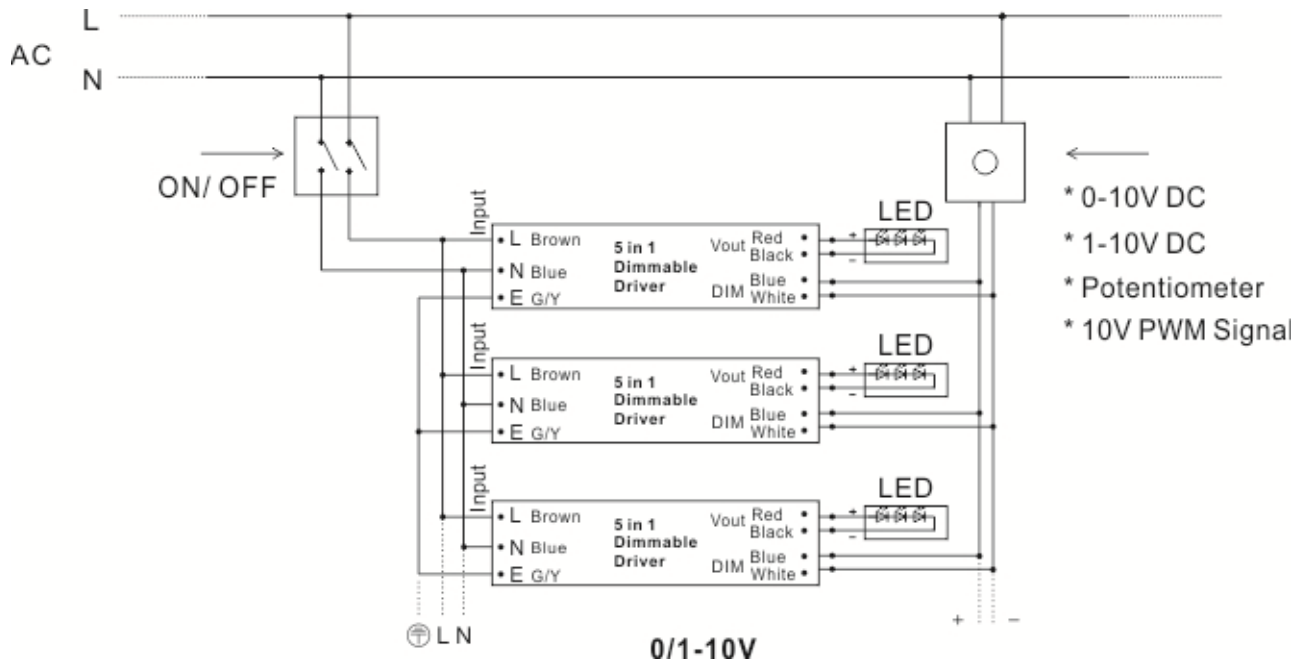
1. The Pulse-Width Modulation (PWM) of output voltage can be adjusted through input terminal of the AC phase line(L) by connection a phase /Triac dimmer of lighting system.
2. Matching with leading edge and trailing edge Triac dimmer or lighting system.
3. Please try to use dimmers with power at least 1.5 times as the output power of the driver.

Triac/0-10V/1-10V/Potentiometer/10V PWM 5 in 1 Dimmable LED driver

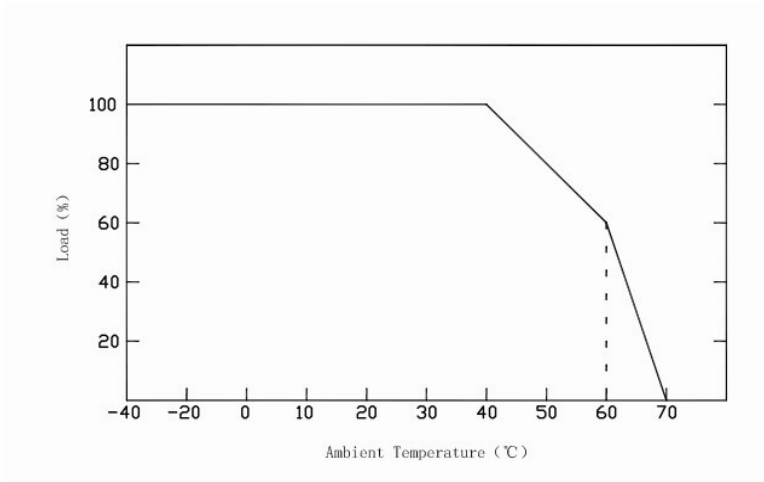
- constant voltage 60W



※ 0-10V/1-10V dimming



■ **Derating Curve**



※To extend their life, please refer to the Derating Curve and derate according to the temperature.

■ **Instruction:**

- 1) This driver should be installed by qualified and professional person;
- 2) Please make sure the driver is installed with adequate ventilation around it to allow for heat dissipation.
- 3) Ensure that wiring is correct before test in order to avoid light and power supply damage;
- 4) If driver Cannot work normally, don't maintain privately; Have any question, please contact Zuhai Shengchang.

Please visit our website or contact us for more information! www.scpower.net.cn