

High PFC Phase cut /Triac dimmable driver-PWM output KVF-TDH series 75W

Whole Family
 KVF-xxxxx-TDH 12V 24VDC
 30W 60W 75W 80W 90W 100W 120W
 150W 200W 300W 320W 360W



■Features

- Output constant voltage
- CE RoHs
- AC input: 200-240VAC
- With slightly adjustable output voltage
- Power Factor: up to 0.98
- High efficiency : up to 87%
- Dimming range: 0-100%
- Load: 10-100%
- Protection:short circuit/over loading/ Over temperature
- PWM output, does not change the color index
- Full protection plastic case, IP20 for indoor installation
- Flicker-free
- Compatible with leading edge and trailing edge TRIAC dimmers
- Cooling by free air convection
- Suitable for LED lighting and moving sign applications

CE RoHS IP20 SELV

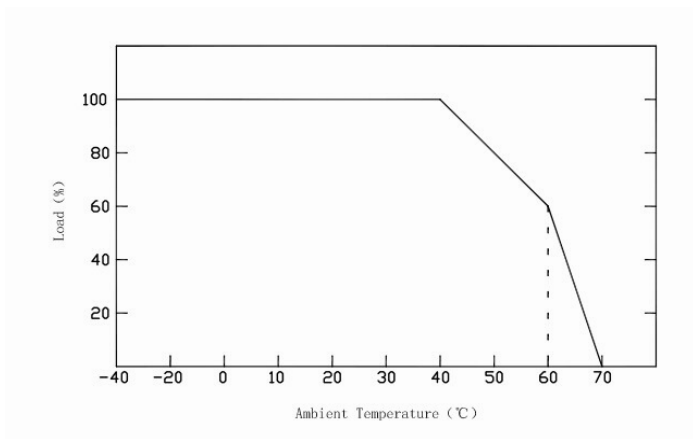
■Specification

Model	KVF-12075-TDH	KVF-24075-TDH	
Certificates	CE RoHs	CE RoHs	
Output	DC Voltage	12V	24V
	Adj. Voltage Range	10-13V	21.5-25.5V
	Rated Current	6.25A	3.13A
	Rated Power	75W	
	Voltage Tolerance	±0.5V	
	Voltage Regulation	±0.5%	
	Load Regulation	±2%	±1%
Input	Voltage Range	200-240VAC	
	Frequency Range	47-63Hz	
	Power Factor(Typ.)@ full load	0.98@230VAC	
	THD(Typ.)@ full load	≤10%	
	Efficiency(Typ.)@ full load	85%	87%
	AC Current(Max.)	0.45A@200VAC	
	Inrush Current (Typ.)	60A 50% 176us	
	Leakage current	<0.50mA	
Protection	Short Circuit	shut down o/p voltage, re-power on to recover after fault condition removed	
	Over Loading	≤120% Hiccup mode,recovers automatically after fault condition is removed	
	Over temperature	100°C±10°C shut down o/p voltage, automatically recover after cooling.	
Environment	Working TEMP.	-40~+60°C (see below derating curve)	
	Working Humidity	20~90%RH, non-condensing	
	Storage TEMP. Humidity	-40~+80°C, 10~95%RH	
	TEMP .coefficient	±0.03%/°C(0~50°C)	
	Vibration	10~500Hz, 2G 10min./1 cycle,period for 60min. each along X,Y,Z axes	
Safety& EMC	Safety standards	EN61347-1 EN61347-2-13	
	Withstand voltage	I/P-O/P:3.75KVAC	
	Isolation resistance	I/P-O/P:100MΩ/500VDC/25°C/70%RH	
	EMC EMISSION	EN55015,EN61000-3-2,3 (≥60%loading)	
others	Net. Weight	0.45Kg	
	Size	180*60*35mm (L*W*H)	

High PFC Phase cut /Triac dimmable driver-PWM output KVF-TDH series 75W

	packing	20PCS/CTN 185*65*45mm inner box 355*215*215mm outside carton
Notes	1. All parameters if NOT specially mentioned are measured at 230VAC input , rated load and 25°C of ambient temperature. 2. To extend the driver's using life ,please reduce the loading at lower input voltage.	

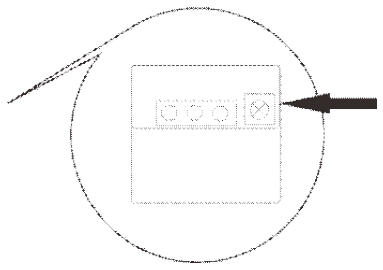
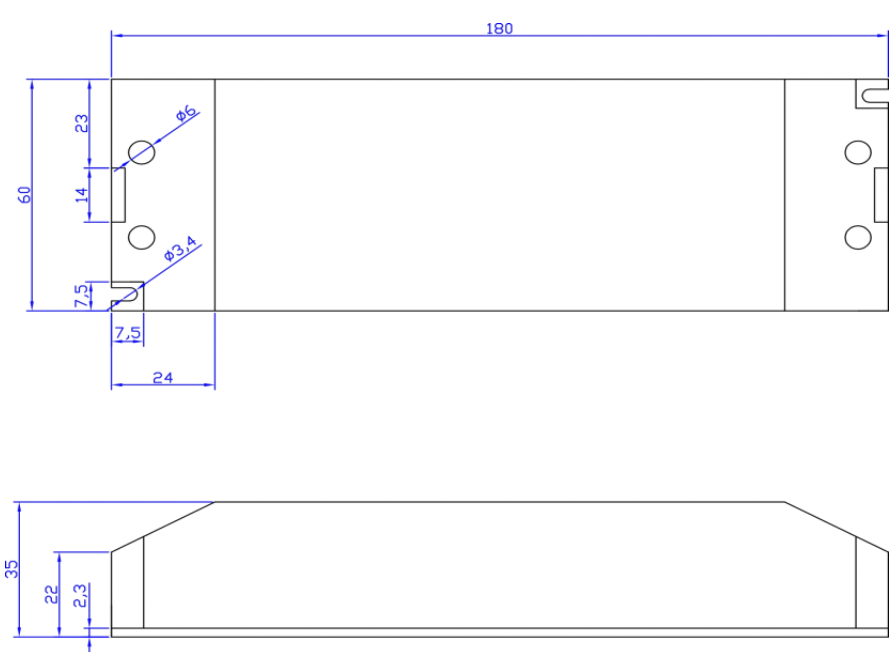
Derating Curve



※To extend their life, please refer to the Derating Curve and derate according to the temperature.

Mechanical Specification

Unite: mm
 Tolerance:P0.5-2mm
 Set-screw in output side.



- ※ Input terminals "Brown" and "Blue" to connect to AC L and N.
- ※ Output terminals "Red" to LED Positive side (+) , "Black" to LED Negative side (-).
- ※ Suggested wire diameter : Input 0.75-4.0mm²; Output 0.75-4.0mm².
- ※ Please make sure your connect these correctly otherwise your product will not function correctly and could be damaged.
- ※ Slightly adjustable output voltage ,adjustable range for 12V: 10-13V; 24V : 21.5-25.5V; The set-screw in the output side.
- ※ Note: Any other requests we can customized.

High PFC Phase cut /Triac dimmable driver-PWM output KVF-TDH series 75W

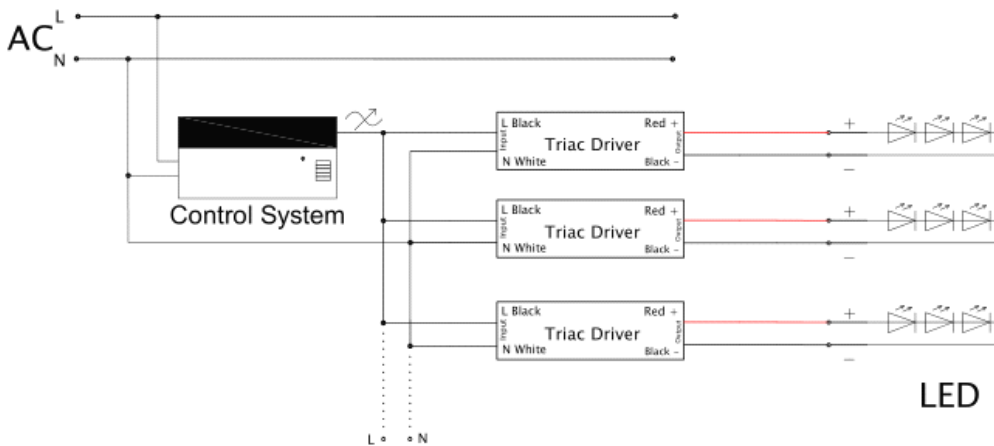
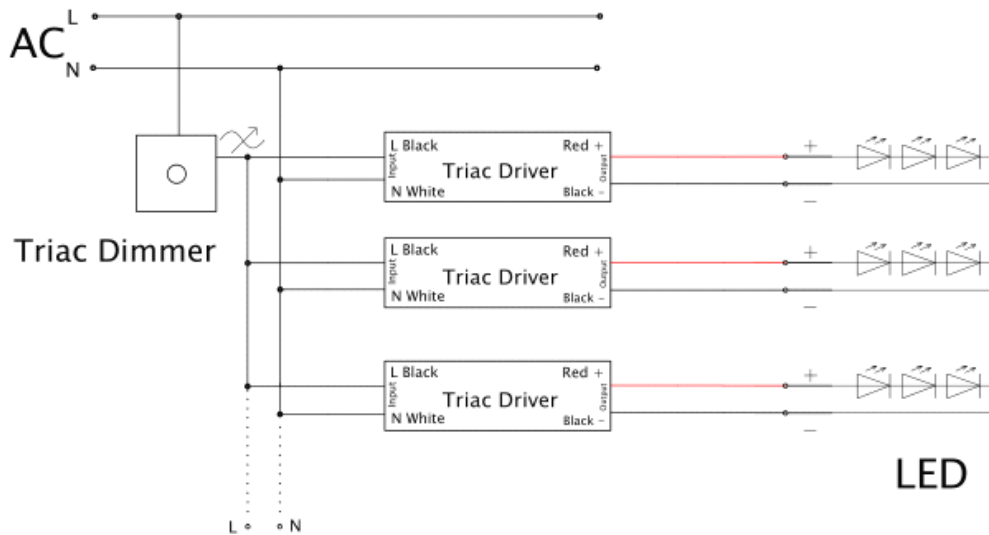
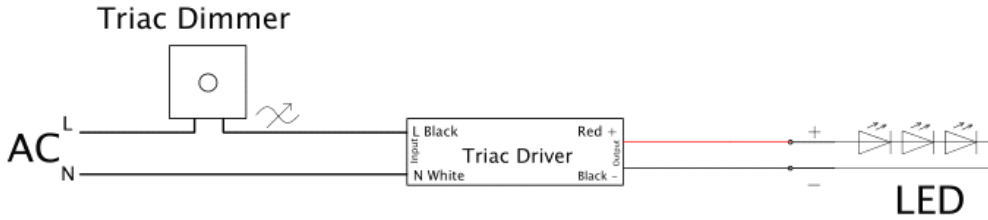
■ Dimming Operation

※The Pulse-Width Modulation (PWM) of output voltage can be adjusted through input terminal of the AC phase line(L) by connection a phase/triac dimmer.

※Usually matching with leading edge and trial edge Triac Dimmers both;

※Please try to use dimmers with power at least 1.5 times as the output power of the driver.

■ Connecting Diagram



High PFC Phase cut /Triac dimmable driver-PWM output KVF-TDH series 75W**■ Instruction:**

- 1)This driver should be installed by qualified and professional person;
- 2)Please make sure the driver is installed with adequate ventilation around it to allow for heat dissipation.
- 3)Ensure that wiring is correct before test in order to avoid light and power supply damage;
- 4)If driver Cannot work normally, don't maintain privately; Have any question, please contact Zhuhai Shengchang.

Please visit our website or contact us for more information! www.scpower.net.cn