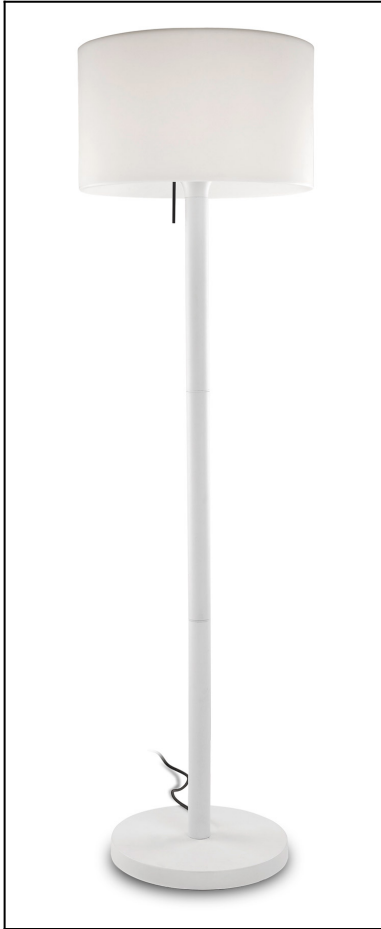


Design by Francesc Vilaró



### TECHNICAL CHARACTERISTICS

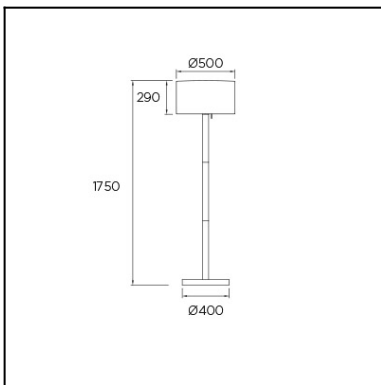
Type:	Floor lamp
IP Protection degrees:	IP44
IK Protection degrees:	IK08
Light source 1:	1 x E27 max. 100W Maximum lamp length: 170.00 mm
Voltage / Frequency:	220-240V/50-60Hz
Warranty (Years):	2
Units per box:	1
Net Weight (Kg):	9
EAN:	8435111091067
Stability:	>15°



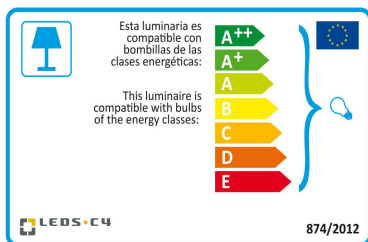
### MATERIALS / FINISHES

<b>Structure material:</b>	High purity aluminium	<b>Diffuser material:</b>	Polyethylene
<b>Structure finish:</b>	White	<b>Diffuser finish:</b>	White

The photograph may not match the reference exactly. Please read the product description to identify the finish.



Download photometric file .ldt / .ies

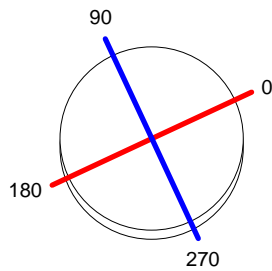


Click on image to download energy label

Luminaire		Measuram.		Lamp			
Code	25-9614-14-M1	Code	25-9614-14-M1	Code	STANDAR GOC 100W O		
Name	Pie salón SMOOTH 100W E27 A55	Name	Pie salón SMOOTH 100W E27 A55	Number	1		
Line	- LEDS-C4	Date	10-09-2015	Position	Universal		
Luminaire Flux	886.87 lm	Luminaire Power	100.00 W	Efficacy	8.87 lm/W	Efficiency	66.18%
Lamps Flux	1340.00 lm	Maximum value	104.49 cd	Position	C=75.00 G=155.00	CG Asymmetrical	
Round Luminaire		Diam.	500 mm	Height	290 mm		
Round Luminous Area		Diam.	500 mm	Height	290 mm		
Horizontal Luminous Area	0.196350 m2			Emitting area on Plane 180°	0.145000 m2		
Emitting area on Plane 0°	0.145000 m2			Emitting area on Plane 270°	0.145000 m2		
Emitting area on Plane 90°	0.145000 m2			Glare area at 76°	0.188194 m2		
Coordinate system	CG			Symmetry Type	Asymmetrical		
Date	10-09-2015			Maximum Gamma Angle	180		
Measurement Distance	6.44			Measurement Flux	1271.00 lm		
Operator	Asselum T2			Source voltage	230.00 V		
Temperature	24.00 °C			Source current	Prc		
Humidity	58.00 %			Photocell			
Notes							

Luminaire Lamps						
Line	Code	Name	Flux [lm]	Pow. [W]	Q.ty	
PHILIPS 2005 ILCOS IA,IB,IC	STANDAR GOC 100W O	STANDAR GOCCIA 100W E27 OPALE	1340.00	100.00	1	
C.I.E.	19 45 73 39 66	D DIN 5040	D12			
F UTE	0.26 J + 0.40 T	B NBN	BZ 9			

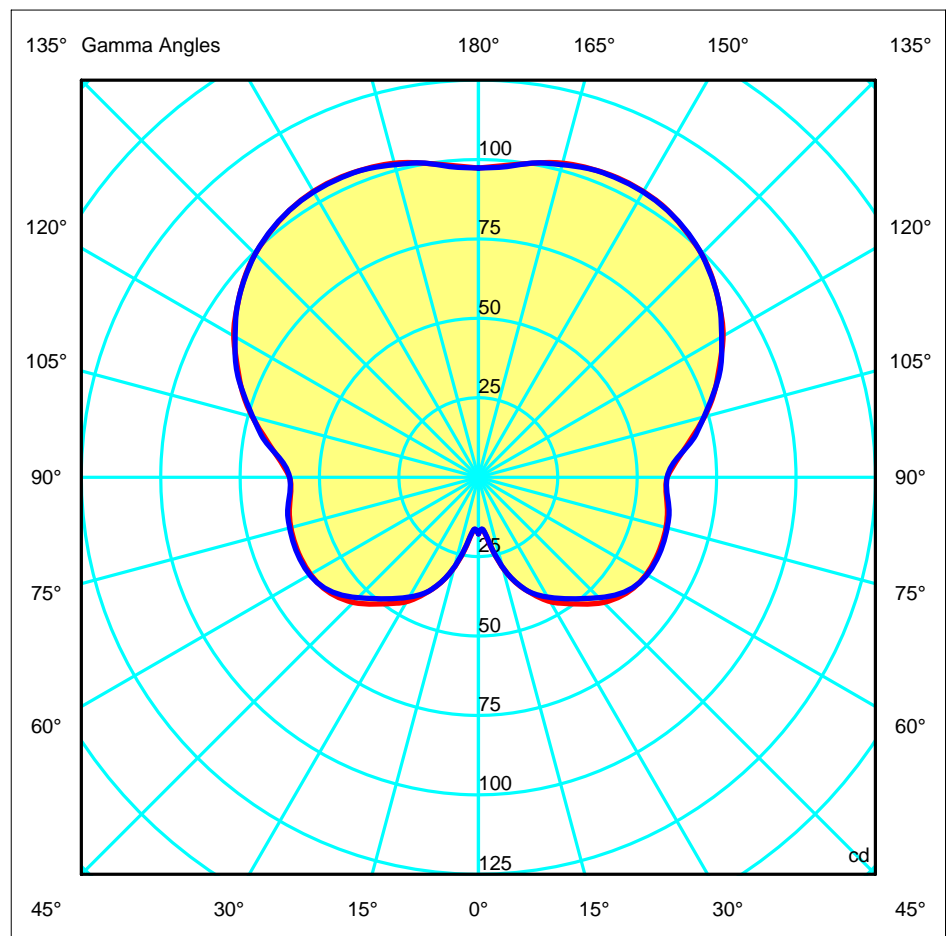
Diam=500mm

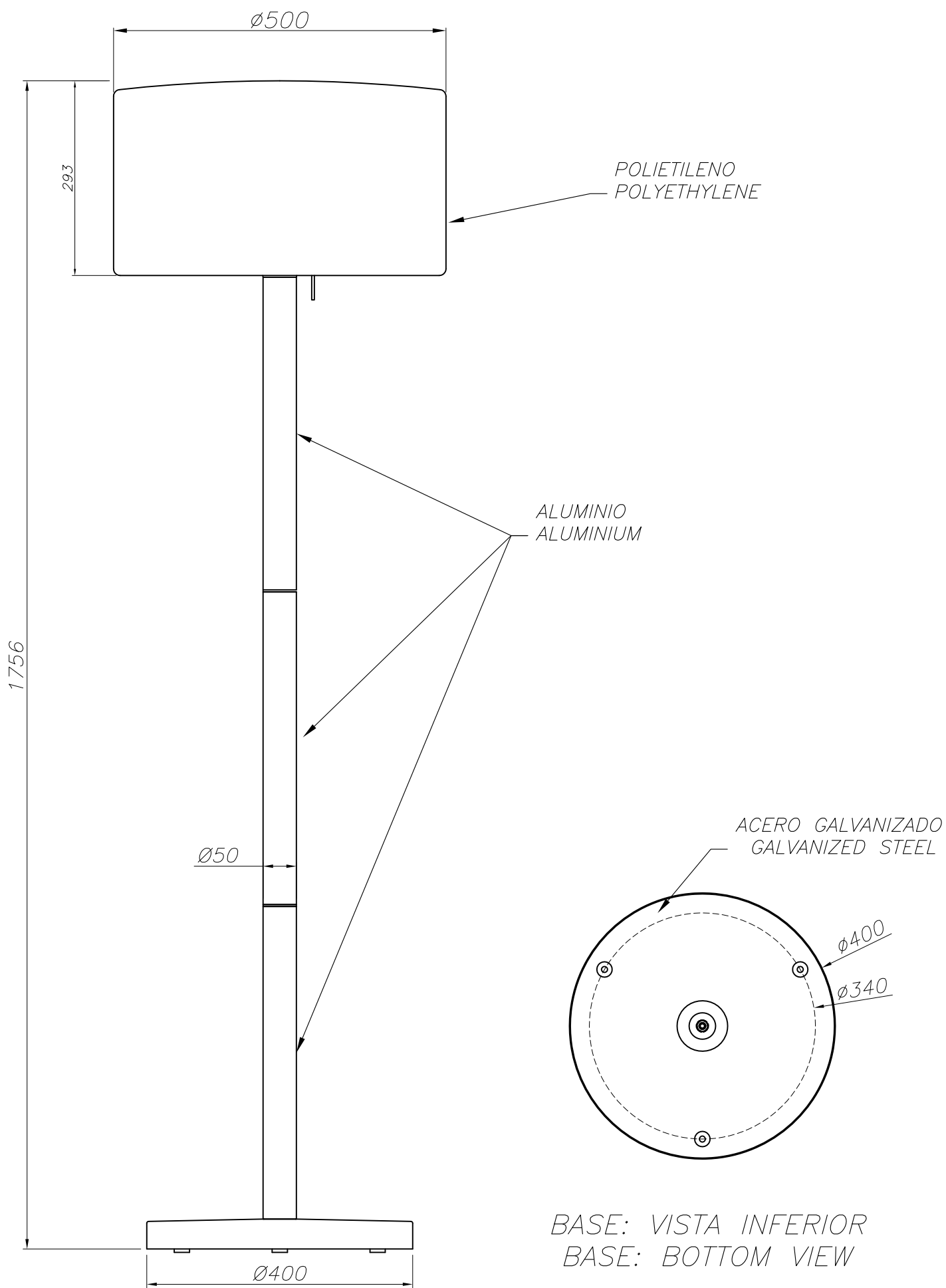


C Halfplanes

180.0 — 0.0  
270.0 — 90.0

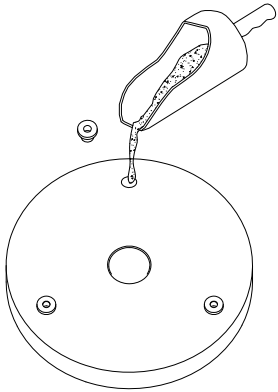
ULOR 40.36 %  
DLOR 25.82 %  
RN 60.98 %



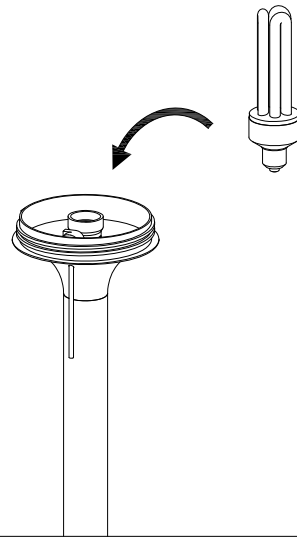


BASE: VISTA INFERIOR  
BASE: BOTTOM VIEW

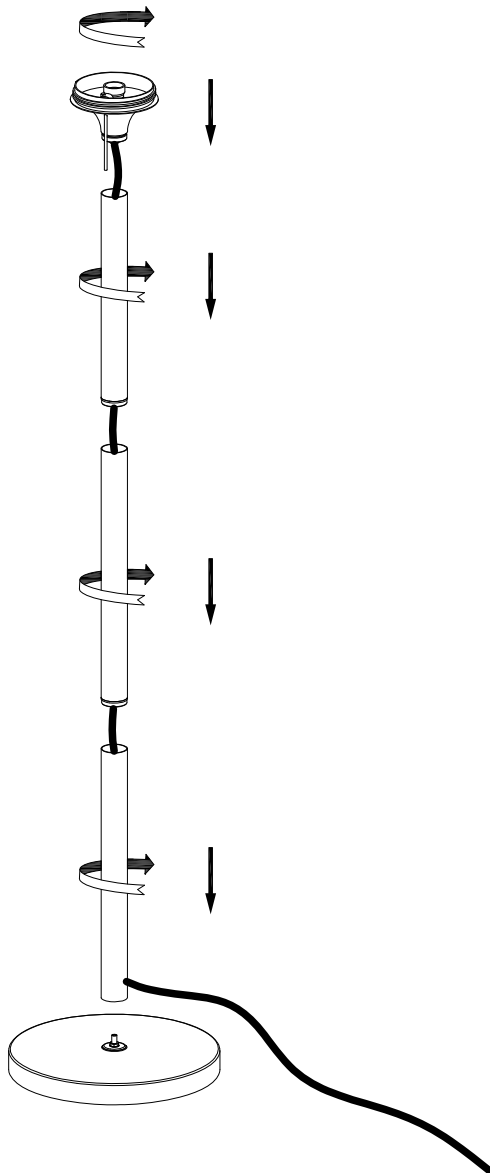
①



③



②



④

