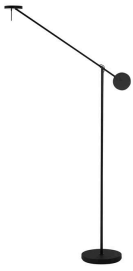


INVISIBLE Floor lamp

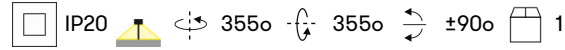
Designer: Francesc Vilaró

25-5693-05-05 V0



Finish
Matt black
Matt opal

Material
Steel
Aluminium
Methacrylate



TECHNICAL CHARACTERISTICS

Light source

Light source: LED REFOND
Output (W): 9W
Total power consumption (W): 11.5W
Color temperature: Warm White - 3000K
CRI: 80
Real Lumen: 568
Nominal Lumen: 765
Qty Leds: 48
Lm/Real W: 49
Life Time: 50.000h L90B10
Bin / Grup: 30K
UGR: 22.3
Photobiological risk: RG0

GEAR

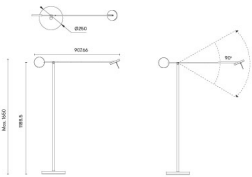
Brand: LETARON
Gear included: Yes, electronic
Voltage / Frequency:
100-240VAC/50-60Hz
Power Factor: 0.95

Luminaire

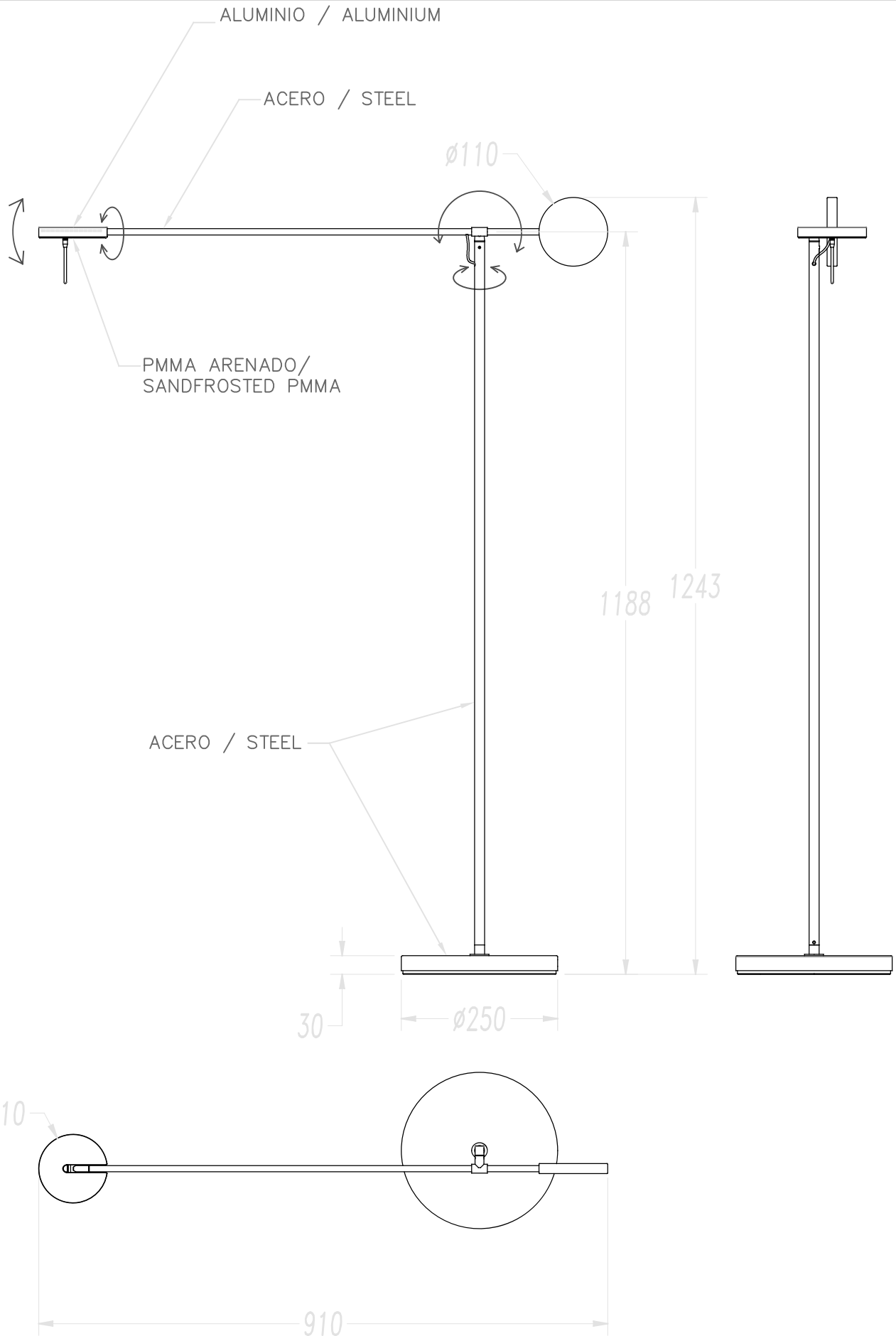
Warranty: 5 Years

Logistics

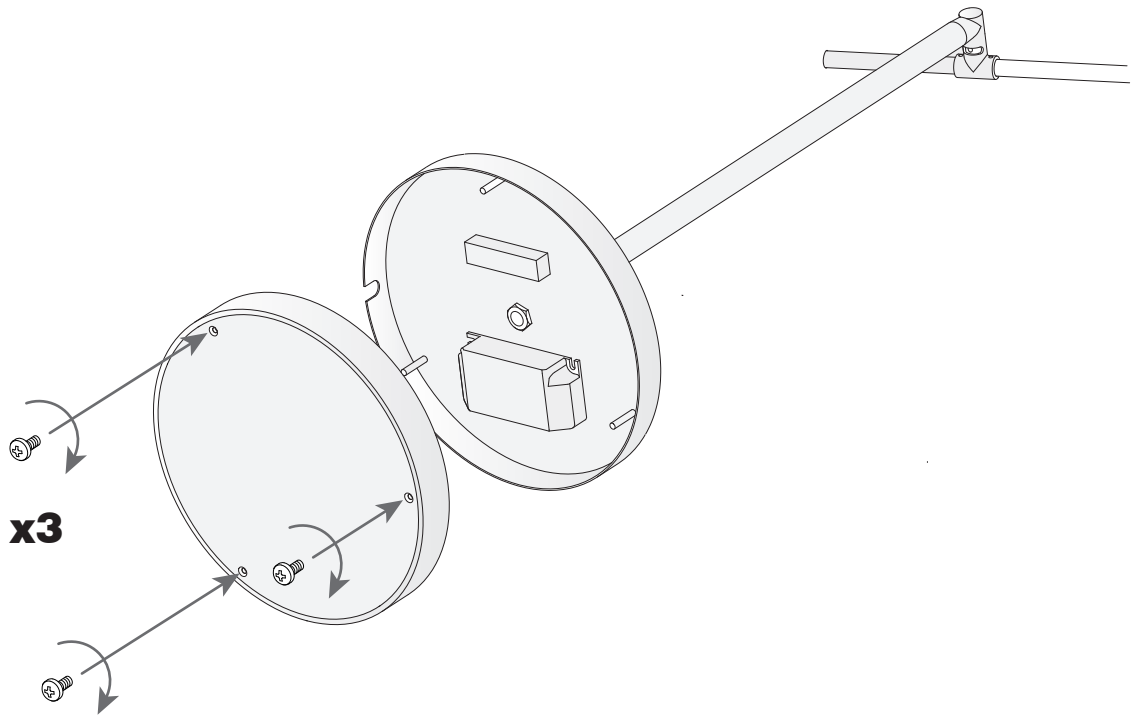
Energy Efficiency: LED A++
EAN Code: 8435381462338
Net Weight (Kg): 7.850
Weight in Kg (packaged): 11.800
Packing: 370 x 370 x 100
Masterbox: 1



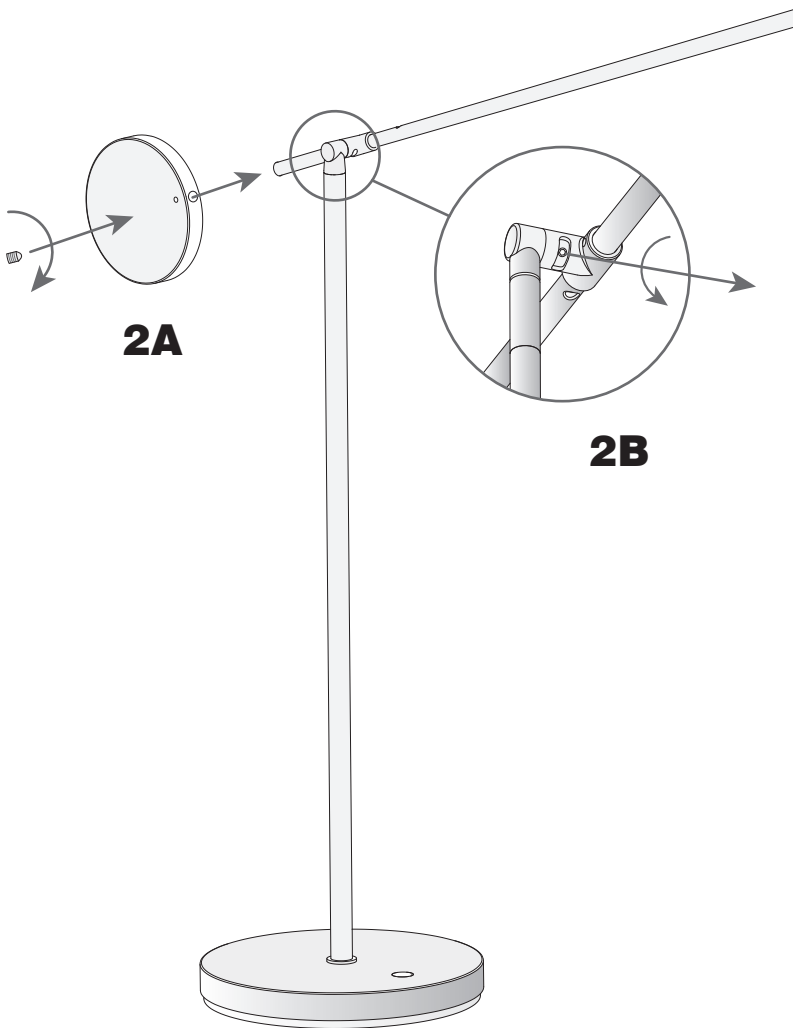
The photograph may not match the reference exactly. Please read the product description to identify the finish.



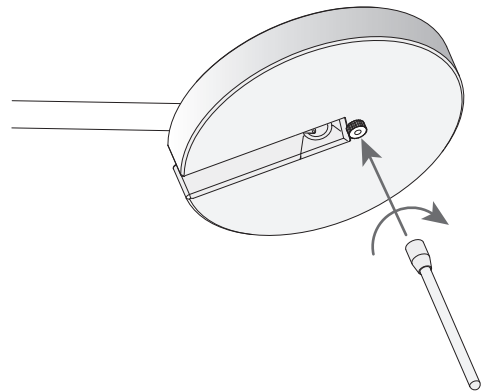
1



2



3



4

