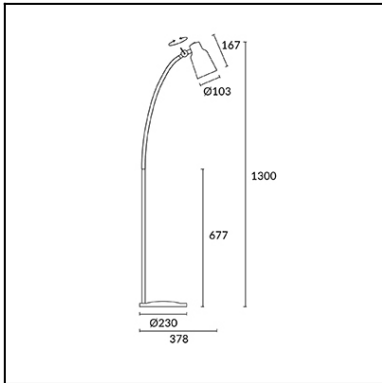
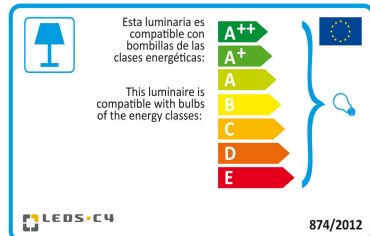




The photograph may not match the reference exactly. Please read the product description to identify the finish.



[Download photometric file .ldt /.ies](#)



[Click on image to download energy label](#)

### TECHNICAL CHARACTERISTICS

|  |  |
|--|--|
| Type:  | Floor lamp   |
| Adjustable:  | Adjustable 355° on the horizontal axis.<br>Adjustable ±90° on the horizontal axis. |
| IP Protection degrees:                                 | IP20   |
| Light source 1:<br>Bulb specified at the product label | 1 x E27<br>MAX 60W   |
| Total power consumption (W):                           | 60   |
| Voltage / Frequency:                                   | 220-240V/50-60Hz   |
| Warranty:  | 2  |
| Units per box:   | 2  |
| Net Weight (Kg):                                       |  |
| EAN Code:  | 8435381421205  |
| Stability:   | >15°   |



### MATERIALS / FINISHES

**Structure material:** Steel

**Structure finish:** Dark brown

