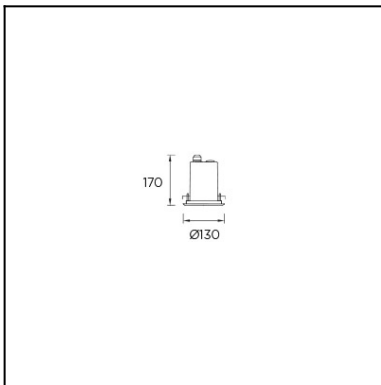




TECHNICAL CHARACTERISTICS

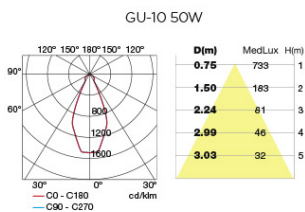
Type:	DOWNLIGHT RECESSED
IP Protection degrees:	IP65
IK Protection degrees:	IK08
Light source 1:	1 x GU10 max.50W Maximum lamp length: 65.00 mm
Light source 2:	1 x GU5.3 max.50W Maximum lamp length: 65.00 mm
Voltage / Frequency:	220-240V/50-60Hz
Warranty (Years):	2
Units per box:	8
Net Weight (Kg):	0.715
EAN:	8435381438296

The photograph may not match the reference exactly. Please read the product description to identify the finish.

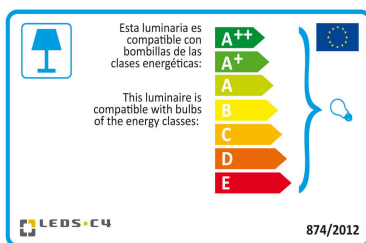


MATERIALS / FINISHES

Structure material: Stainless steel AISI316	Diffuser material: Glass
Structure finish: Polished	Diffuser finish: Tempered



Download photometric file .ldt /.ies

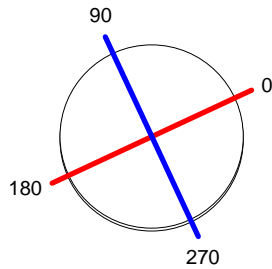


Click on image to download energy label

Luminaire		Measur.		Lamp			
Code	15-9708-YA-37	Code	15-9708-YA-37	Code	64824FL GU10		
Name	Downlight GEA 50W GU10	Name	Downlight GEA 50W GU10	Number	1		
Line	- LEDS-C4	Date	02-11-2015	Position	Universal		
Luminaire Flux	219.40 lm	Luminaire Power	50.00 W	Efficacy	4.39 lm/W	Efficiency	73.13%
Lamps Flux	300.00 lm	Maximum value	415.26 cd	Position	C=45.00 G=5.00	CG Double Symmetrical	
Round Recessed Luminaire Round Luminous Area	Diam. 125 mm Diam. 52 mm	Height	4 mm	Height	0 mm		
Horizontal Luminous Area Emitting area on Plane 0° Emitting area on Plane 90°	0.002124 m2 0.000000 m2 0.000000 m2	Emitting area on Plane 180° Emitting area on Plane 270° Glare area at 76°	0.000000 m2 0.000000 m2 0.000514 m2				
Coordinate system Date Measurement Distance	CG 02-11-2015 0.51	Symmetry Type Maximum Gamma Angle Measurement Flux	Double Symmetrical 90 386.00 lm				
Operator Temperature Humidity Notes	Asselum T3 19.80 °C 67.00 %	Source voltage Source current Photocell	Czibula Grundmann				

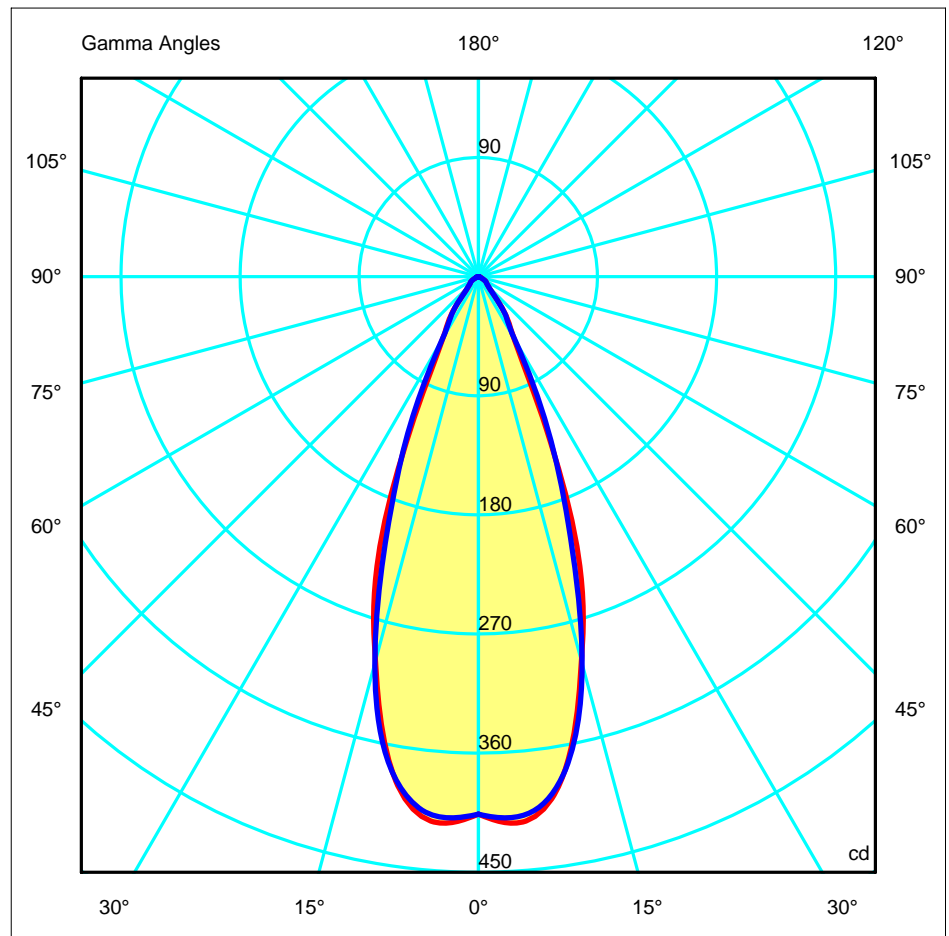
Line	Code	Luminaire Lamps Name	Flux [lm]	Pow. [W]	Q.ty
OSRAM 2006 HS, HM, HD, HR	64824FL GU10	HALOGEN ALU 50W GU10 35°	300.00	50.00	1
C.I.E.	91 98 100 100 73	D DIN 5040	A60		
F UTE	0.73 A	B NBN	BZ 1		

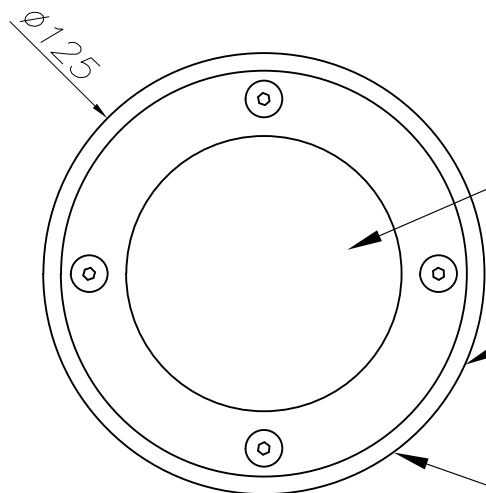
Diam=125mm Incasso



C Halfplanes
180.0 — 0.0
270.0 — 90.0

ULOR 0.00 %
DLOR 73.13 %
RN 0.00 %

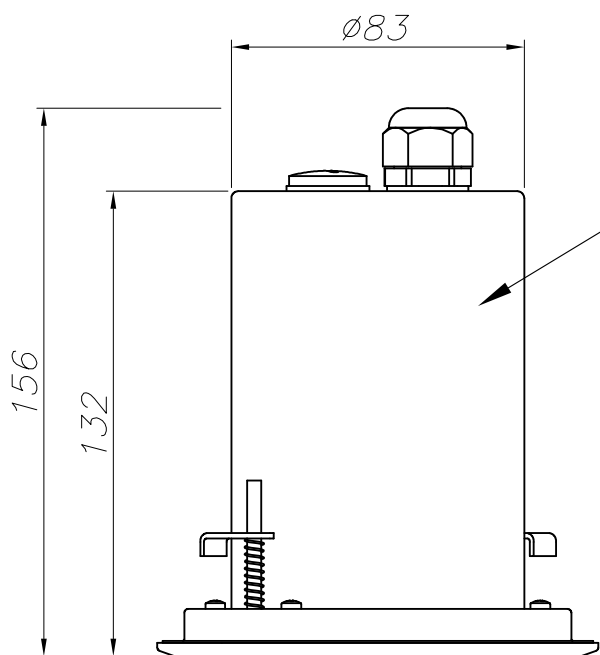




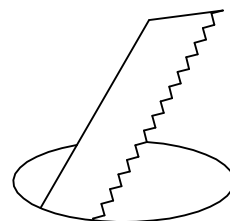
CRISTAL TEMPLADO TRANSPARENTE
TRANSPARENT TEMPERED GLASS

ACERO INOXIDABLE AISI 304
STAINLESS STEEL AISI 304
15-9708-Y4-37

ACERO INOXIDABLE AISI 316
STAINLESS STEEL AISI 316
15-9708-CA-37



TECNOPOLÍMERO
TECHNOPOLYMER



Ø112mm

AGUJERO PARA EMPOTRAR
FITTING HOLE

