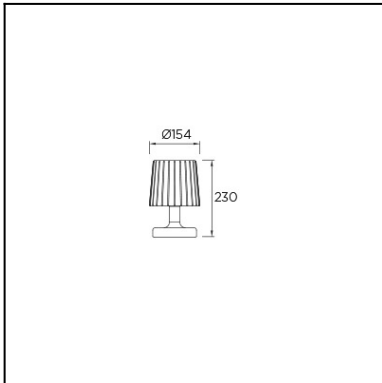




The photograph may not match the reference exactly. Please read the product description to identify the finish.



### TECHNICAL CHARACTERISTICS

Type:	Table lamp
IP Protection degrees:	IP54
Light source 1:	9 x LED 1W Led RGB
Voltage / Frequency:	100-240V/50-60Hz
Warranty (Years):	2
Option to extend the guarantee (Years):	No
Units per box:	4
Net Weight (Kg):	0.51
EAN:	8435381426941
Stability:	>15°



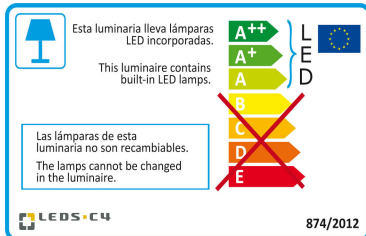
### MATERIALS / FINISHES

<b>Structure material:</b>	Polyethylene	<b>Diffuser material:</b>	Polyethylene
<b>Structure finish:</b>	White	<b>Diffuser finish:</b>	White

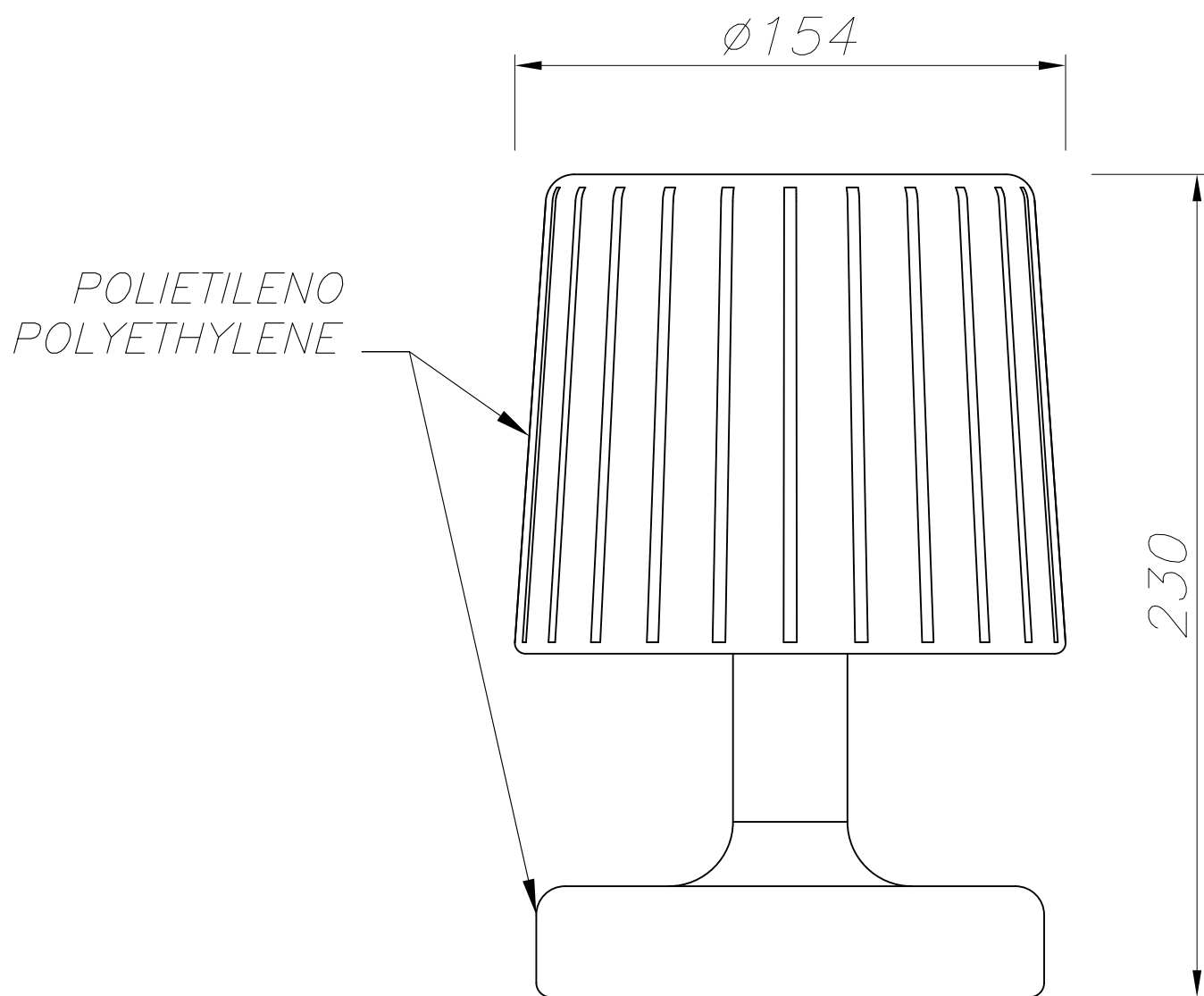
### GEAR

Multi-voltage electronic gear included (100-240V / 50-60Hz)

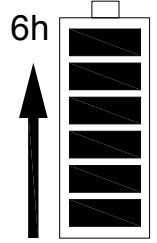
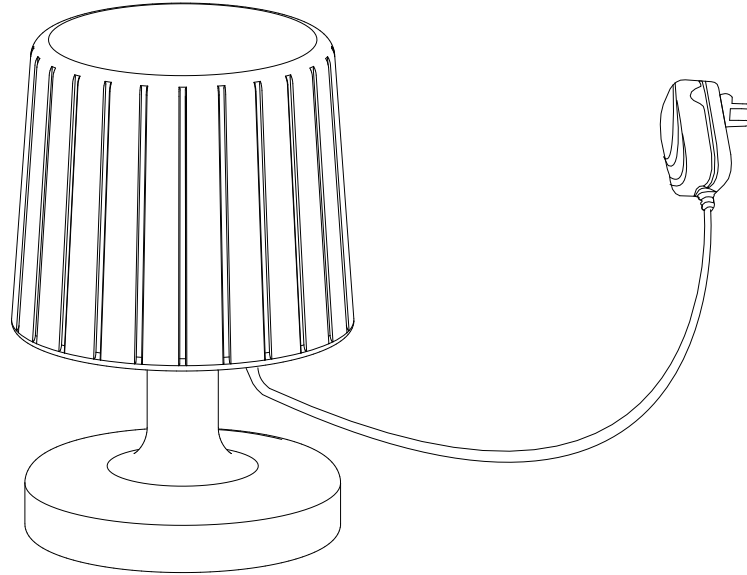
[Download photometric file .ldt / .ies](#)



[Click on image to download energy label](#)



①



②

