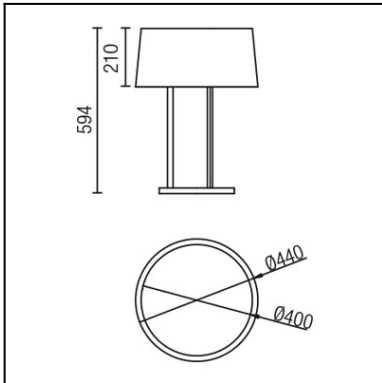
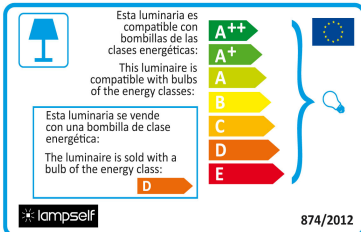




The photograph may not match the reference exactly. Please read the product description to identify the finish.



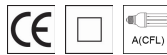
[Download photometric file .ldt / .ies](#)



[Click on image to download energy label](#)

### TECHNICAL CHARACTERISTICS

|                              |   |
|------------------------------|---|
| Type:                        | Table lamp  |
| IP Protection degrees:       | IP20  |
| Light source 1:              | 3 x E27<br>MAX 18W<br>Maximum lamp length: 140.00 mm<br>Maximum lamp diameter: 52.00 mm |
| Total power consumption (W): | 54  |
| Voltage / Frequency:         | 220-240V/50-60Hz  |
| Units per box:               | 1   |
| Net Weight (Kg):             | 3.585   |
| EAN:                         | 8435381433307   |



### MATERIALS / FINISHES

|                            |                 |                           |                              |
|----------------------------|-----------------|---------------------------|------------------------------|
| <b>Structure material:</b> | Steel           | <b>Diffuser material:</b> | Fabric shade<br>Methacrylate |
| <b>Structure finish:</b>   | Shiny<br>copper | <b>Diffuser finish:</b>   | Black<br>Matt                |

## RESUMEN INFORME DE ENSAYO

### LED'S C4

10-5076-06-H13W

Referencia de ensayo: 335

Fecha del informe: 16-6-15

#### Resumen

Informe de prueba fotométrica.

|                        |       |
|------------------------|-------|
| Matriz de intensidades | SI    |
| Diagrama polar         | SI    |
| Diagrama cartesiano    | SI    |
| Fichero eulumdat       | SI    |
| Fichero IESNA          | ----- |
| Fichero OXL            | ----- |

Informe de prueba colorimétrica -----



Responsable laboratorio



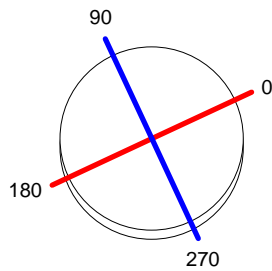
Enginyer tècnic  
industrial  
Col·legi d'Enginyers tècnics  
industrials de Barcelona

Director Técnico

| Luminaire                  |                                | Measur.                     |                                | Lamp         |                      |
|----------------------------|--------------------------------|-----------------------------|--------------------------------|--------------|----------------------|
| Code                       | 10-5076-06-H13W                | Code                        | 10-5076-06-H13W                | Code         | GENIE ESAVER 18W/827 |
| Name                       | Portatil PREMIUM 3x18W CFL E27 | Name                        | Portatil PREMIUM 3x18W CFL E27 | Number       | 3                    |
| Line                       | - LEDS-C4                      | Date                        | 16-06-2015                     | Position     | Universal            |
| Efficiency                 | 62.58%                         | Coordinate system           | CG                             | Total Flux   | 3300.00 lm           |
| Maximum value              | 407.71 cd                      | Position                    | C=90.00 G=35.00                | Asymmetrical |                      |
| Round Luminaire            | Diam.                          | 440 mm                      | Height                         | 210 mm       |                      |
| Round Luminous Area        | Diam.                          | 440 mm                      | Height                         | 210 mm       |                      |
| Horizontal Luminous Area   | 0.152053 m2                    | Emitting area on Plane 180° |                                | 0.092400 m2  |                      |
| Emitting area on Plane 0°  | 0.092400 m2                    | Emitting area on Plane 270° |                                | 0.092400 m2  |                      |
| Emitting area on Plane 90° | 0.092400 m2                    | Glare area at 76°           |                                | 0.126440 m2  |                      |
| Symmetry Type              | Asymmetrical                   | Maximum Gamma Angle         |                                | 180          |                      |
| Measurement Distance       | 6.44                           | Measurement Flux            |                                | 4344.00 lm   |                      |
| Operator                   | Asselum T2                     | Source voltage              |                                | 230.00 V     |                      |
| Temperature                | 24.00 °C                       | Source current              |                                | Prc          |                      |
| Humidity                   | 53.00 %                        | Photocell                   |                                |              |                      |
| Notes                      |                                |                             |                                |              |                      |

| Luminaire Lamps                |                      |                          |                   |          |      |  |
|--------------------------------|----------------------|--------------------------|-------------------|----------|------|--|
| Line                           | Code                 | Name                     | Flux [lm]         | Pow. [W] | Q.ty |  |
| PHILIPS 2005 ILCOS FBT,G,C,FSQ | GENIE ESAVER 18W/827 | GENIE ESAVER 18W/827 E27 | 1100.00           | 18.00    | 3    |  |
| C.I.E.                         | 38 76 96 67 63       | D DIN 5040               | B21               |          |      |  |
| F UTE                          | 0.42 E + 0.21 T      | B NBN                    | BZ 6 / 0.8 / BZ 5 |          |      |  |

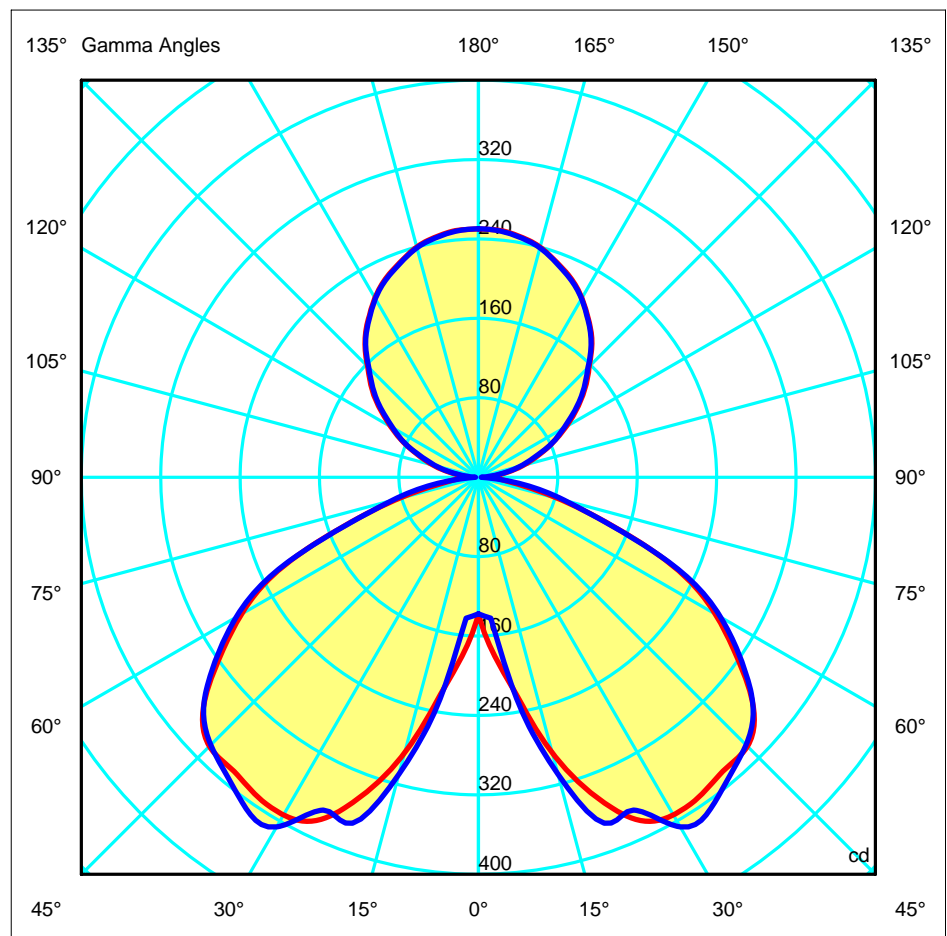
Diam=440mm

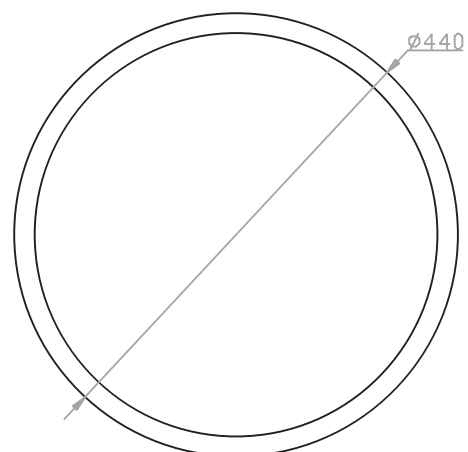
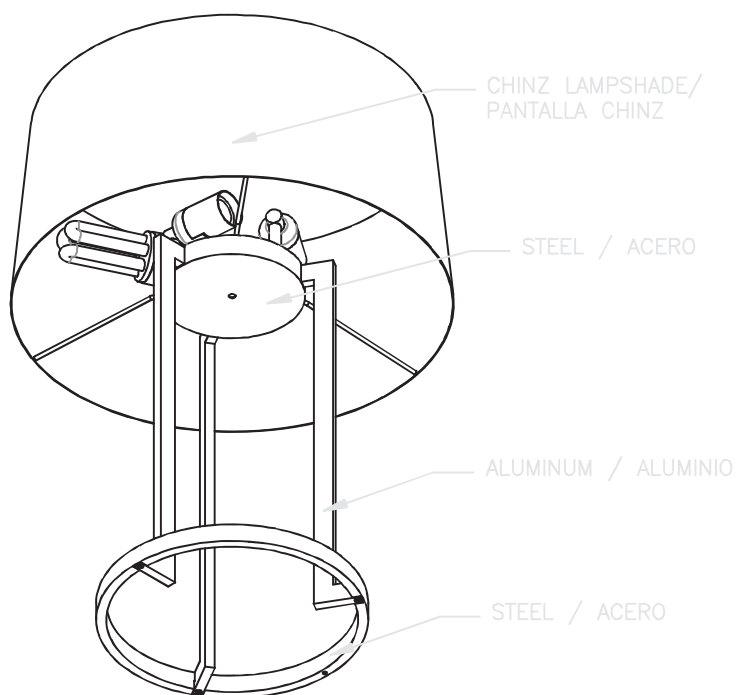
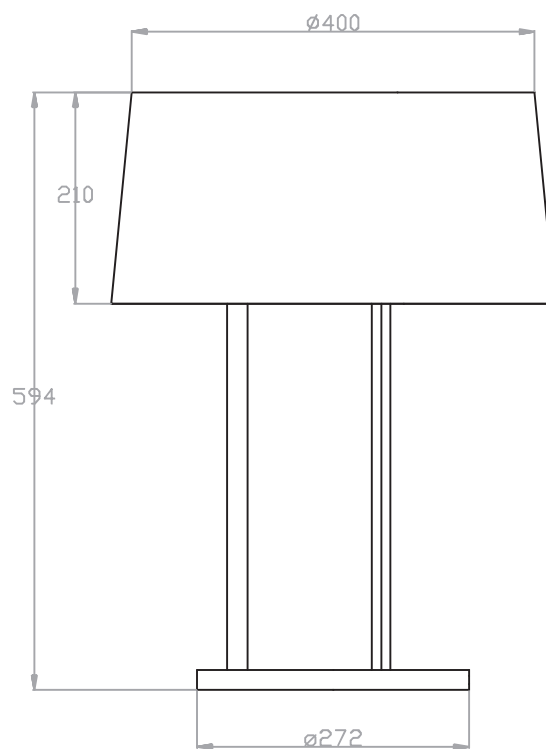
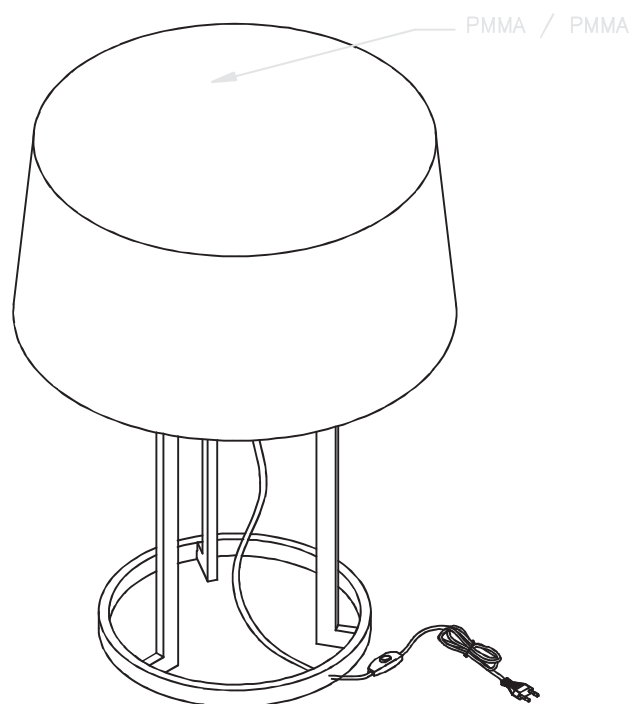


C Halfplanes

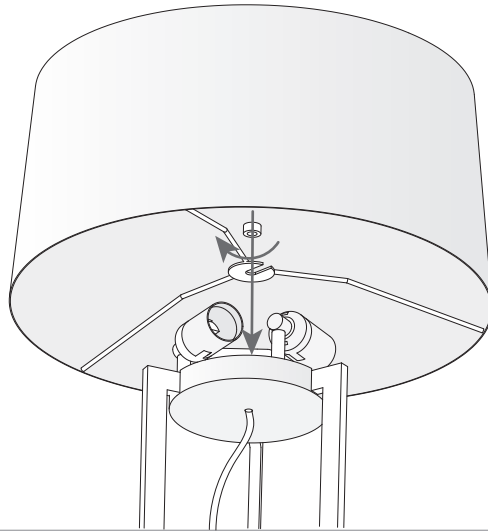
180.0 — 0.0  
270.0 — 90.0

ULOR 20.91 %  
DLOR 41.67 %  
RN 33.42 %

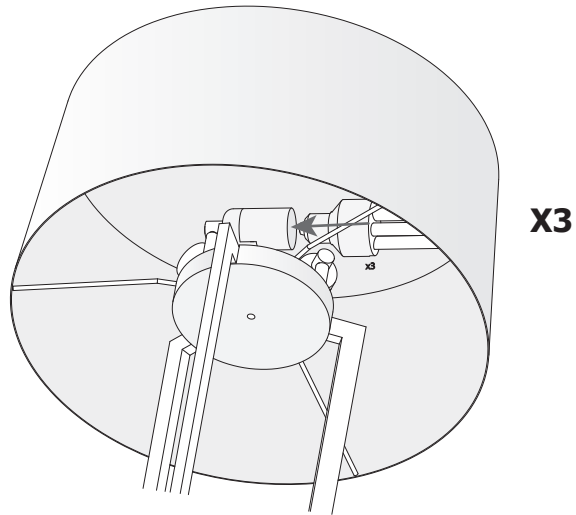




1



2



3

