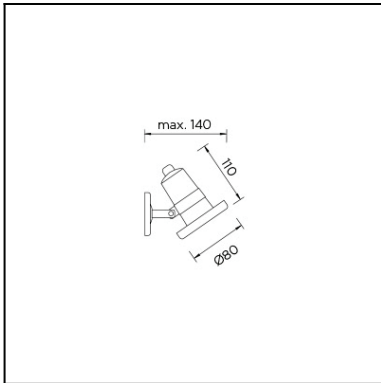




The photograph may not match the reference exactly. Please read the product description to identify the finish.



TECHNICAL CHARACTERISTICS

Type:	SUBMERSIBLE
Adjustable:	Adjustable $\pm 45^\circ$ on the horizontal axis. Adjustable 360° on the vertical axis.
IP Protection degrees:	IP68 (1m)
IK Protection degrees:	IK10
Light source 1:	3 x LED 5W Neutral white - 4000K 663 lm ^(N) CRI 80
Angle of the optics / Reflector:	25°
Voltage / Frequency:	12V AC/DC
Warranty (Years):	2
Option to extend the guarantee (Years):	No
Units per box:	12
Net Weight (Kg):	0.565
EAN:	8435381438838



MATERIALS / FINISHES

Structure material: Stainless steel AISI316

Diffuser material: Glass

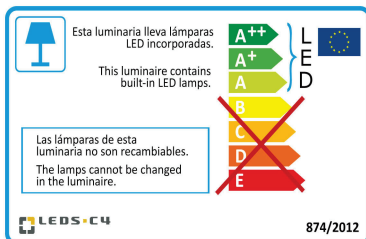
Structure finish: Polished

Diffuser finish: Tempered

GEAR

Necessary equipment not included. For more information check website / catalogs / sales organization.

Download photometric file .ldt / .ies



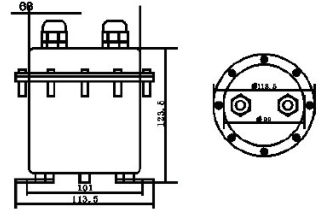
Click on image to download energy label

lm^(N): Nominal flow of light in actual working conditions. Its actual flow will depend on the environmental conditions and the efficiency of the optics and/or diffuser.

LEDS-C4 reserves the right to make the necessary technical changes they deem adequate, in order to improve the features of the product.

Please consult the sales team to clarify any doubt.

71-9197-05-05



IP68 (1m)

Luminaire

Code 05-9889-CA-CM
Name Aplique AQUA led 5W 12V

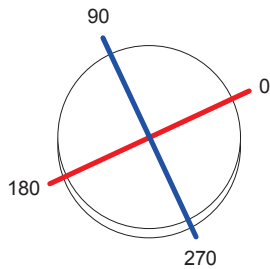
Measur.

Code 05-9889-CA-CM
Name Aplique AQUA led 5W 12V

Luminaire Flux	310.78 lm	Luminaire Power	5.00 W	Efficacy	62.16 lm/W	Efficiency	100.00%
Lamps Flux	310.78 lm	Maximum value	941.79 cd	Position	C=0.00 G=0.00	CG	Double Symmetrical
Round Luminaire Round Luminous Area	Diam. 80 mm Diam. 50 mm	Height	110 mm	Height	0 mm		
Horizontal Luminous Area Emitting area on Plane 0° Emitting area on Plane 90°	0.001963 m2 0.000000 m2 0.000000 m2	Emitting area on Plane 180° Emitting area on Plane 270° Glare area at 76°				0.000000 m2 0.000000 m2 0.000475 m2	
Coordinate system Date Measurement Distance	CG 09-05-2016 0.51	Symmetry Type Maximum Gamma Angle Measurement Flux				Double Symmetrical 90 310.78 lm	
Operator Temperature Humidity Notes	Asselum T2 24.00 °C 54.00 %	Source voltage Source current Photocell				12.00 V 0.38 A Czibula Grundmann	

Line	Code	Luminaire Lamps	Flux [lm]	Pow. [W]	Q.ty
- LEDS C4 LEDS	05-9889-CA-CM	Name Lámpara led 5W 12V	310.78	5.00	1
C.I.E.	87 97 100 100 100	D DIN 5040	A60		
F UTE	1.00 A	B NBN	BZ 1		

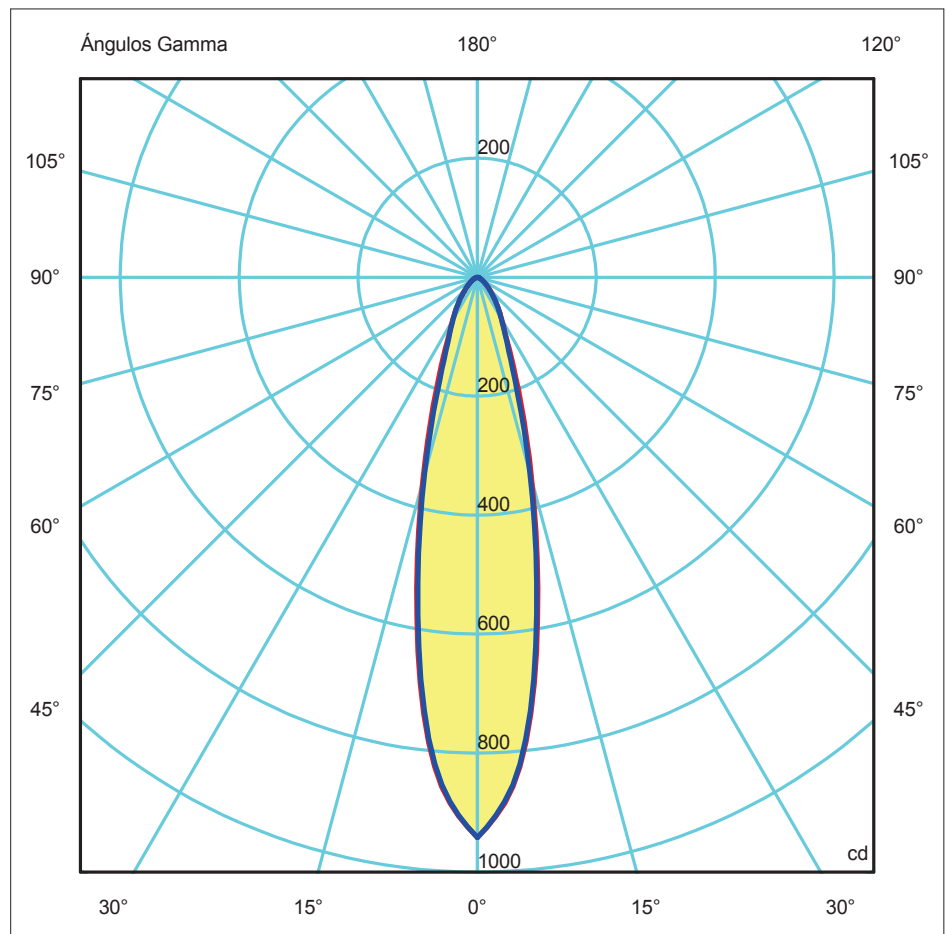
Diam=80mm

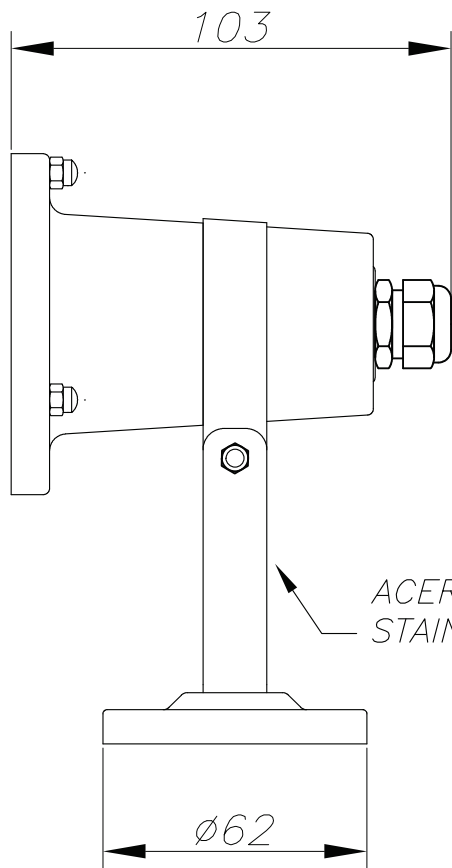


Semiplanos C

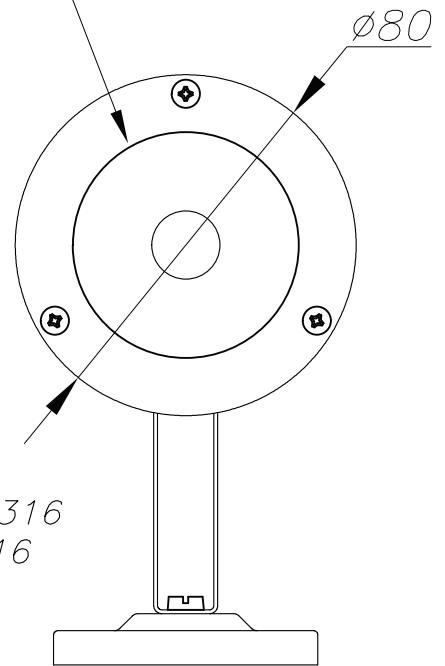
180.0 — 0.0
270.0 — 90.0

ULOR 0.00 %
DLOR 100.00 %
RN 0.00 %

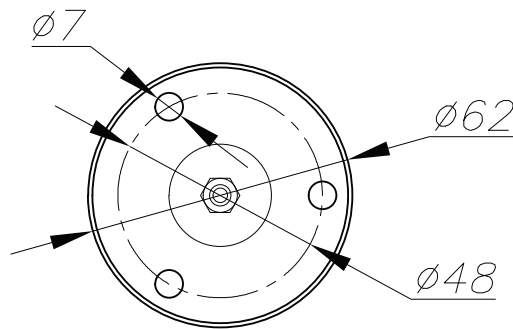




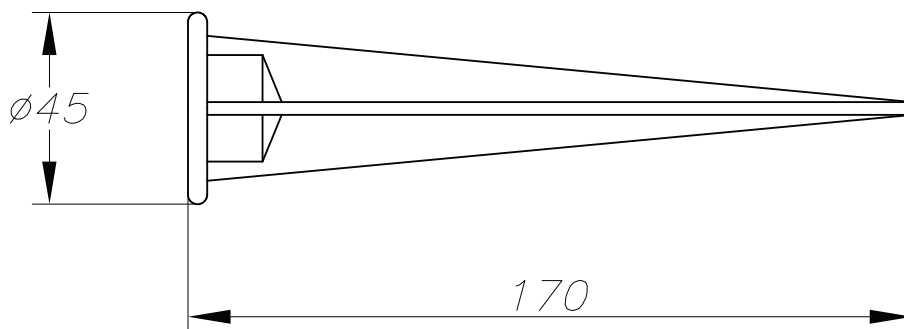
Cristal templado
Hardened glass



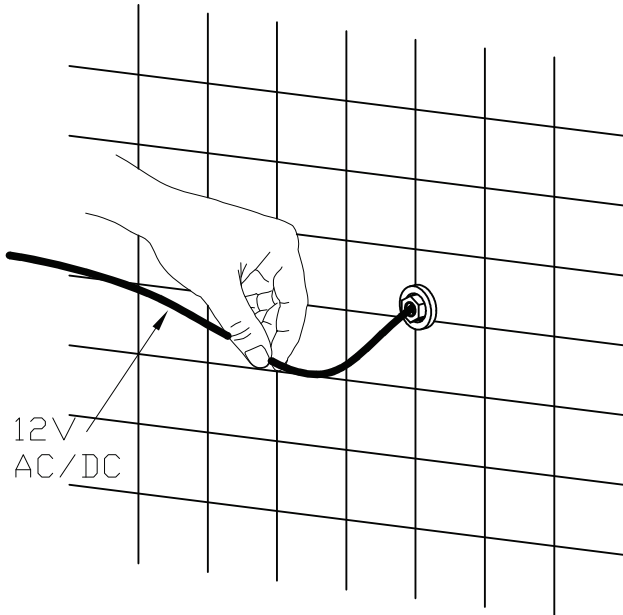
ACERO INOXIDABLE AISI-316
STAINLESS STEEL AISI-316



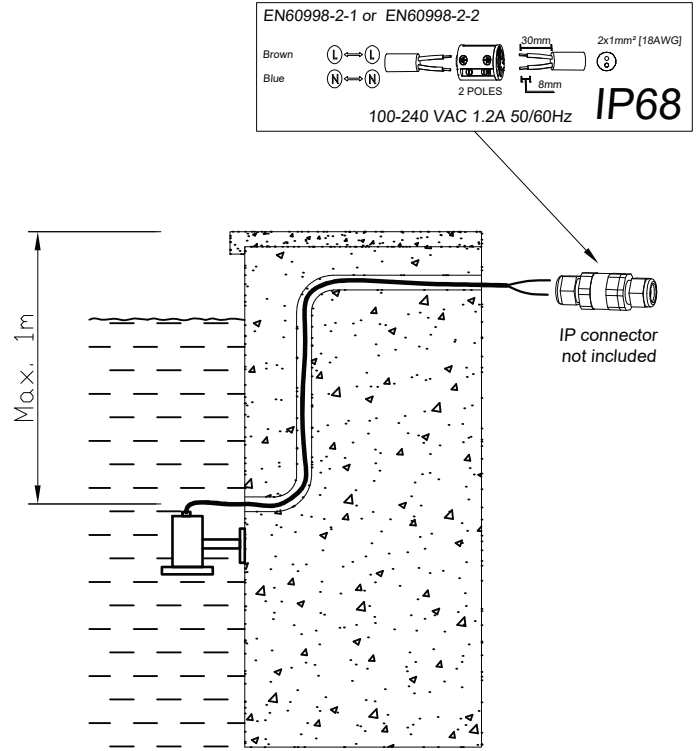
PLANTILLA DE INSTALACIÓN
INSTALLATION TEMPLATE



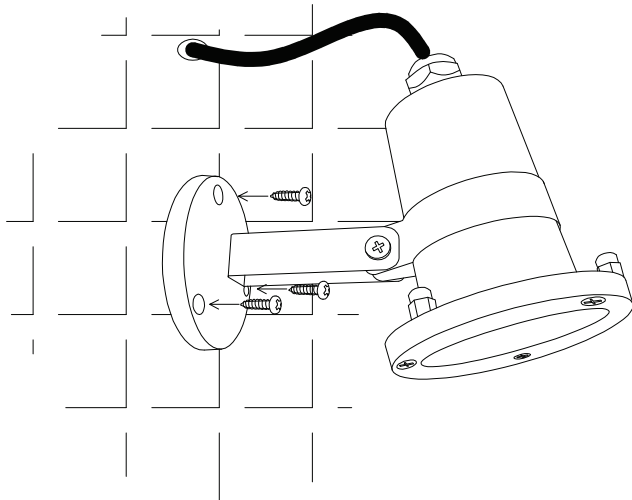
①



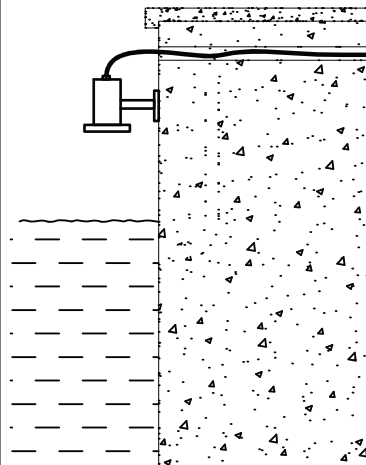
②



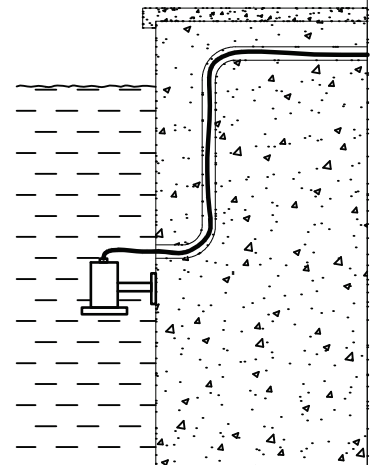
③



✓OK



✓OK



- Para funcionar únicamente con transformador de seguridad
- Only works with security transformer
- Utiliser uniquement avec un transformateur de sécurité
- Nur mit Sicherheits Trafo benutzen
- Funzionamento solo con trasformatore di sicurezza
- Para funcionar apenas com transformador de segurança
- Обязательно использовать с трансформатором безопасности