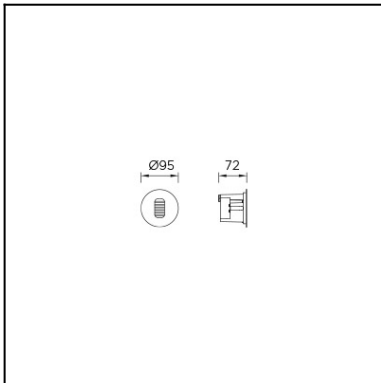




The photograph may not match the reference exactly. Please read the product description to identify the finish.



TECHNICAL CHARACTERISTICS

Type:	WALL RECESSED
IP Protection degrees:	IP65
IK Protection degrees:	IK10
Light source 1:	1 x LED Cree 2,2W Warm White - 3000K 162 lm ^(N) CRI 80
Total power consumption (W):	3.7W
Voltage / Frequency:	100-240V/50-60Hz
Warranty (Years):	2
Option to extend the guarantee (Years):	5
Units per box:	24
Net Weight (Kg):	0.335
EAN:	8435381438340



MATERIALS / FINISHES

Structure material: Stainless steel AISI316

Diffuser material: Glass

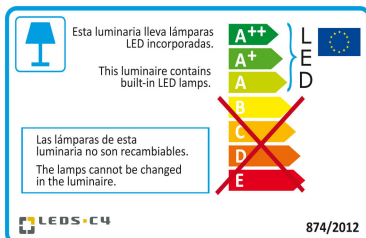
Structure finish: Polished

Diffuser finish: Transparent

GEAR

Multi-voltage electronic gear included (100-240V / 50-60Hz)

Download photometric file .ldt / .ies



Click on image to download energy label

Lm^(N): Nominal flow of light in actual working conditions. Its actual flow will depend on the environmental conditions and the efficiency of the optics and/or diffuser.

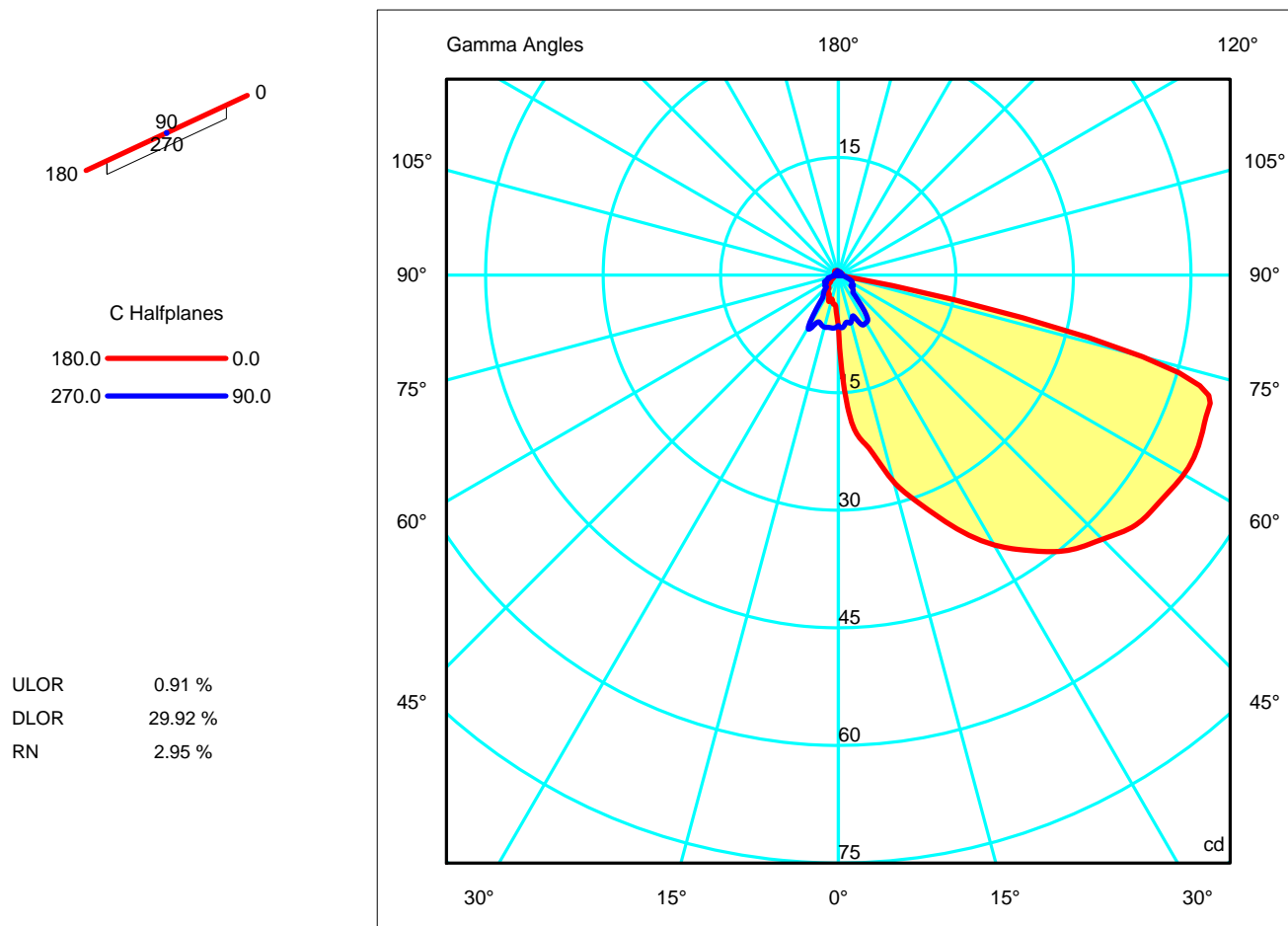
LEDS-C4 reserves the right to make the necessary technical changes they deem adequate, in order to improve the features of the product.

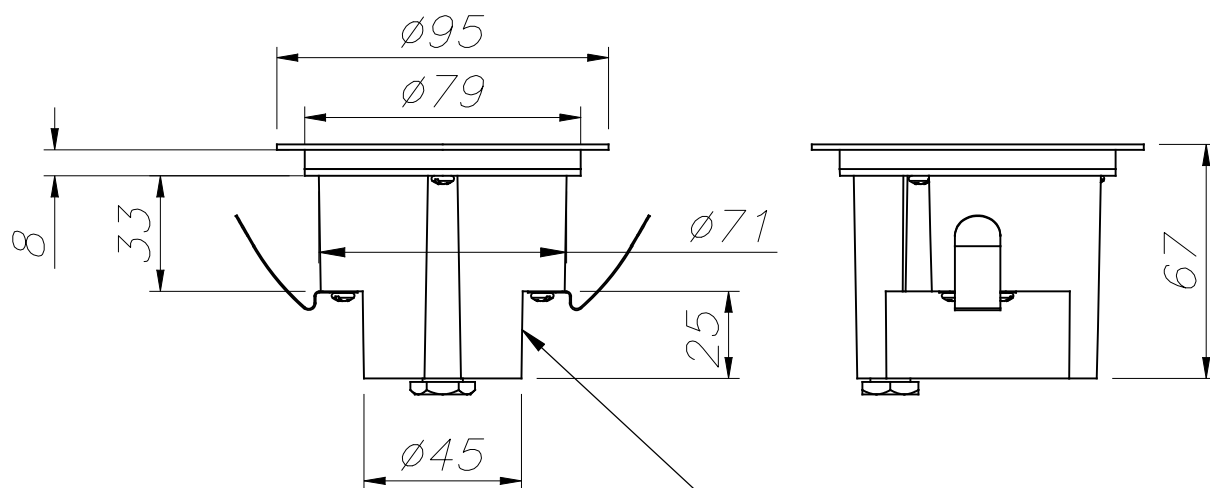
Please consult the sales team to clarify any doubt.

Luminaire		Measur.		Lamp		
Code	05-9757	Code	05-9757	Code	-	
Name	RECESSED	Name	RECESSED	Number	1	
Line	Eulumdat	Date	03-04-2013	Position		
Efficiency	30.84%	Coordinate system	CG	Total Flux	200.00 lm	
Maximum value	50.88 cd	Position	C=0.00 G=60.00	Asymmetrical		
Rectangular Luminaire	Length	1 mm	Width	250 mm	Height	1 mm
Rectangular Luminous Area	Length	1 mm	Width	250 mm	Height	0 mm
Horizontal Luminous Area	0.000250 m2	Emitting area on Plane 180°		0.000000 m2		
Emitting area on Plane 0°	0.000000 m2	Emitting area on Plane 270°		0.000000 m2		
Emitting area on Plane 90°	0.000000 m2	Glare area at 76°		0.000060 m2		
Symmetry Type	Asymmetrical	Maximum Gamma Angle		180		
Measurement Distance	0.00	Measurement Flux		200.00 lm		
Operator		Source voltage				
Temperature	25.00 °C	Source current				
Humidity	60.00 %	Photocell				
Notes						

Line		Code		Luminaire Lamps		Flux [lm]	Pow. [W]	Q.ty
Eulumdat		-		Name		200.00	3.60	1
				-- 3.60 W				
C.I.E.	39 76 96 97 31			D DIN 5040	A21			
F UTE	0.30 E + 0.01 T			B NBN	BZ 6 / 0.8 / BZ 5			

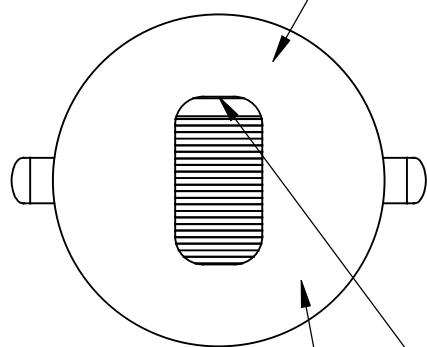
1mm x 250mm





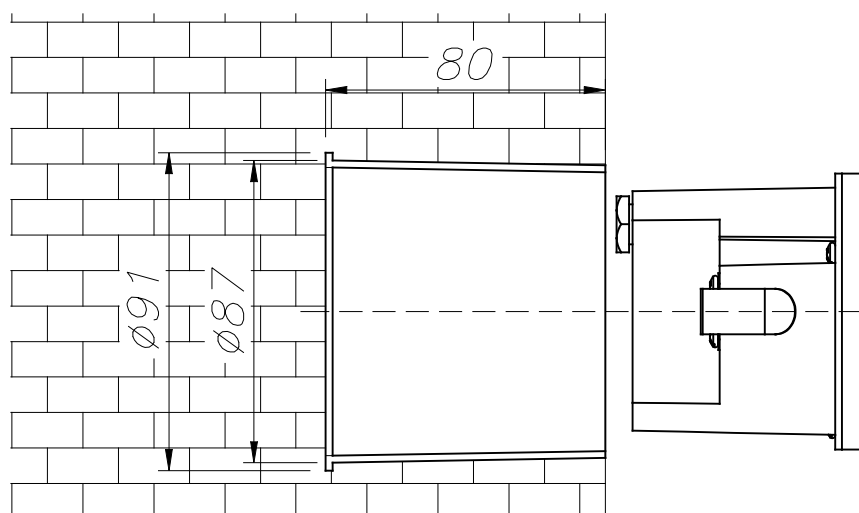
ACERO INOXIDABLE AISI 304
 STAINLESS STEEL AISI 304
 (05-9757-Y4-CL)

ALUMINIO INYECTADO
 INJECTED ALUMINIUM



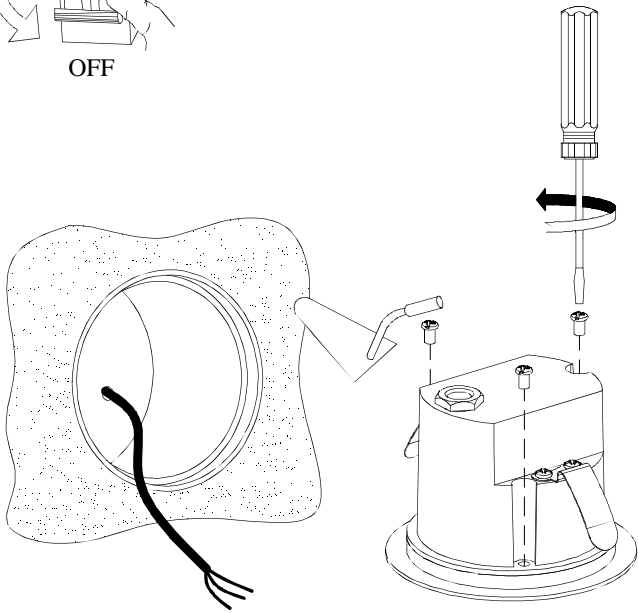
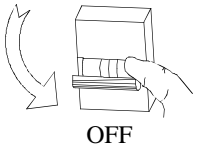
CRISTAL TRANSPARENTE
 TRANSPARENT GLASS

ACERO INOXIDABLE AISI 316
 STAINLESS STEEL AISI 316
 (05-9757-CA-CL)

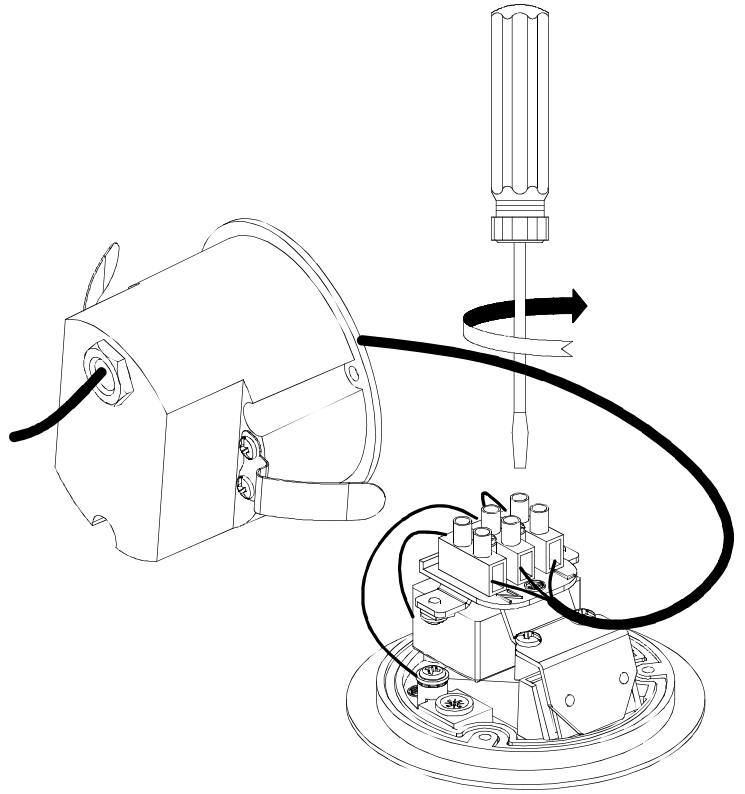


CAJA DE EMPOTRAR
 FLUSH FITTING BOX

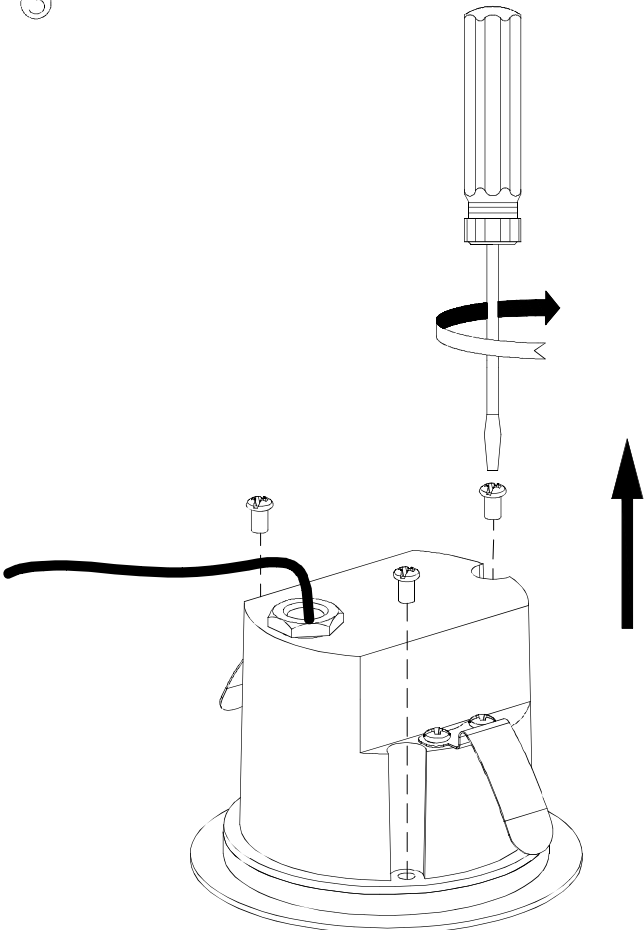
①



②



③



④

