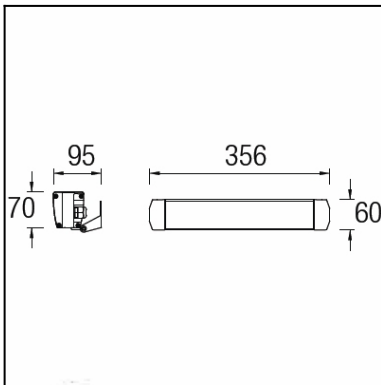




The photograph may not match the reference exactly. Please read the product description to identify the finish.



TECHNICAL CHARACTERISTICS

Type:	Spotlight
Adjustable:	Adjustable $\pm 90^\circ$ on the horizontal axis.
IP Protection degrees:	IP65
IK Protection degrees:	IK03
Light source 1:	6 x LED Cree 12W Warm White - 3000K 863 lm ^(N) CRI 80
Total power consumption (W):	15.6W
Angle of the optics / Reflector:	40x9°
Voltage / Frequency:	100-240V/50-60Hz

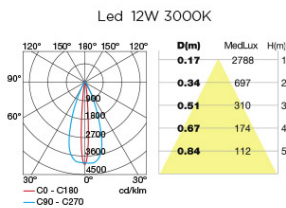


MATERIALS / FINISHES

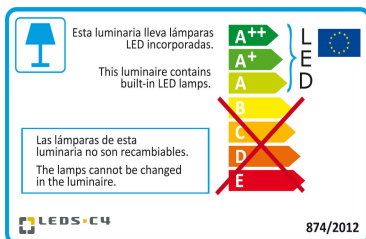
Structure material:	Extruded aluminium	Diffuser material:	Glass
Structure finish:	Anodized	Diffuser finish:	Transparent

GEAR

Multi-voltage electronic gear included (100-240V / 50-60Hz)



Download photometric file .ldt / .ies



Click on image to download energy label

Lm^(N): Nominal flow of light in actual working conditions. Its actual flow will depend on the environmental conditions and the efficiency of the optics and/or diffuser.

LEDS-C4 reserves the right to make the necessary technical changes they deem adequate, in order to improve the features of the product.

Please consult the sales team to clarify any doubt.

Luminaire

Code 05-9749
Name wall washers

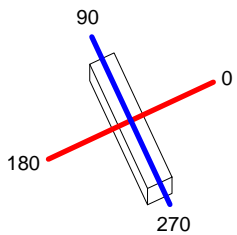
Measurerm.

Code 05-9749
Name wall washers

Luminaire Flux	659.26 lm	Luminaire Power	15.20 W	Efficacy	43.37 lm/W	Efficiency	64.63%
Lamps Flux	1020.00 lm	Maximum value	4122.39 cd	Position	C=105.00 G=3.00	CG	Asymmetrical
Rectangular Luminaire Rectangular Luminous Area	Length Length	356 mm 356 mm	Width Width	70 mm 70 mm	Height Height	60 mm 60 mm	
Horizontal Luminous Area Emitting area on Plane 0° Emitting area on Plane 90°	0.024920 m2 0.021360 m2 0.004200 m2		Emitting area on Plane 180° Emitting area on Plane 270° Glare area at 76°		0.021360 m2 0.004200 m2 0.026754 m2		
Coordinate system Date Measurement Distance	CG 23-06-2015 0.00		Symmetry Type Maximum Gamma Angle Measurement Flux		Asymmetrical 90 1020.00 lm		
Operator Temperature Humidity Notes	25.00 °C 60.00 %		Source voltage Source current Photocell				

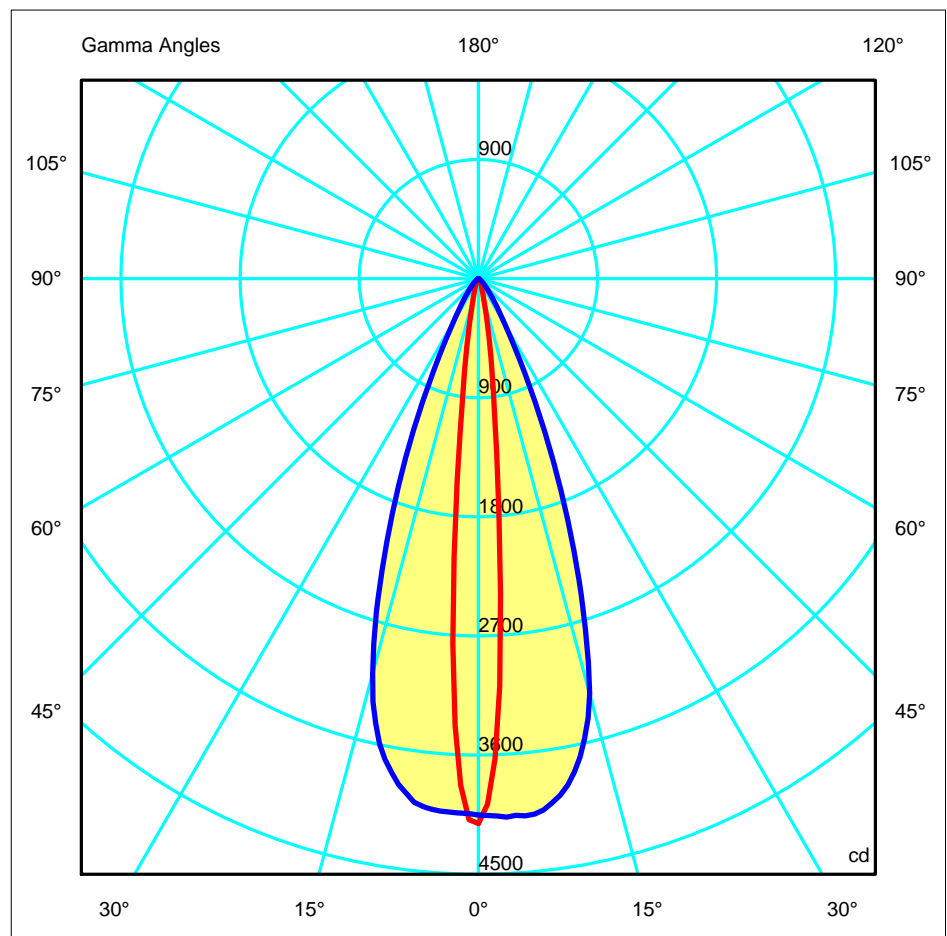
Line	Code	Luminaire Lamps		Flux [lm]	Pow. [W]	Q.ty
	11	Name	11 - 2.53 W	170.00	2.53	6
C.I.E. F UTE	96 99 100 100 65 0.65 A	D DIN 5040 B NBN		A60 BZ 1		

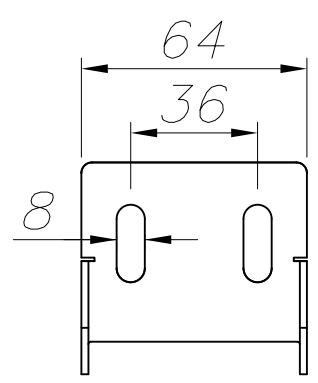
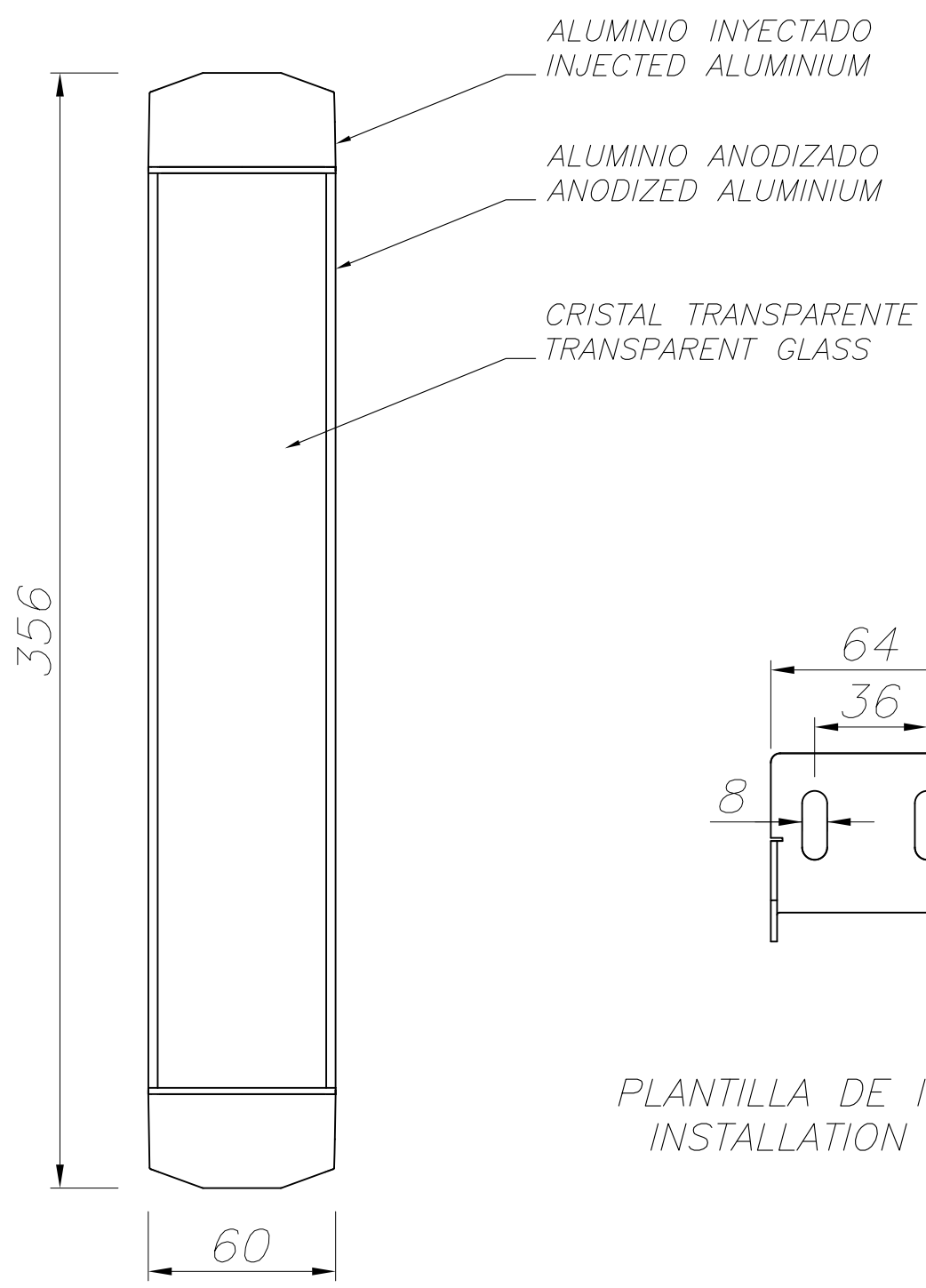
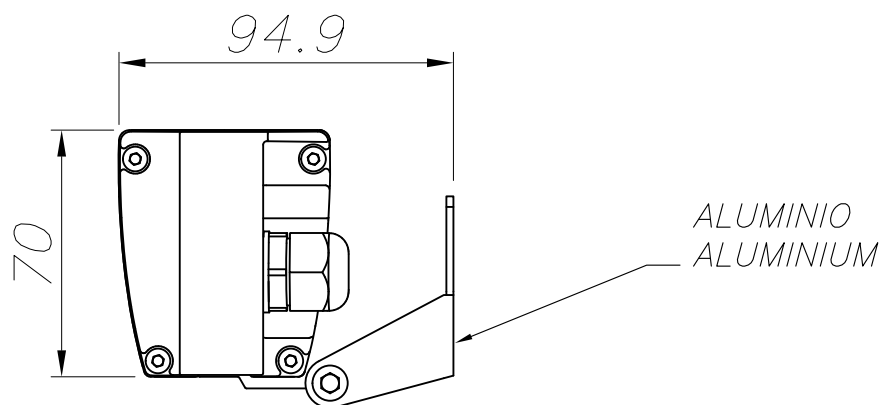
356mm x 70mm



C Halfplanes
180.0 — 0.0
270.0 — 90.0

ULOR 0.00 %
DLOR 64.63 %
RN 0.00 %





PLANTILLA DE INSTALACION
INSTALLATION TEMPLATE

