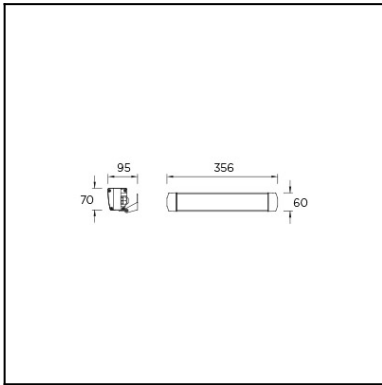
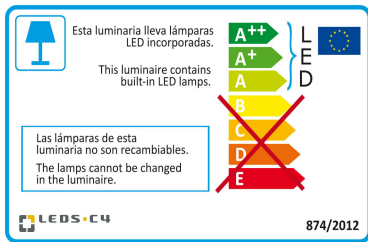


The photograph may not match the reference exactly. Please read the product description to identify the finish.



[Download photometric file .ldt / .ies](#)



[Click on image to download energy label](#)

TECHNICAL CHARACTERISTICS

Type:	Spotlight
Adjustable:	Adjustable $\pm 90^\circ$ on the horizontal axis.
IP Protection degrees:	IP65
IK Protection degrees:	IK03
Light source 1:	6 x LED Cree 12W Neutral white - 4000K 978 lm ^(N) CRI 75
Total power consumption (W):	15.6W
Angle of the optics / Reflector:	40x9°
Voltage / Frequency:	100-240V/50-60Hz
Warranty (Years):	2
Option to extend the guarantee (Years):	5
Units per box:	4
Net Weight (Kg):	1.39
EAN:	8435381412852



MATERIALS / FINISHES

Structure material:	Extruded aluminium	Diffuser material:	Glass
Structure finish:	Anodized	Diffuser finish:	Transparent

GEAR

Multi-voltage electronic gear included (100-240V / 50-60Hz)

Lm^(N): Nominal flow of light in actual working conditions. Its actual flow will depend on the environmental conditions and the efficiency of the optics and/or diffuser.

LEDS-C4 reserves the right to make the necessary technical changes they deem adequate, in order to improve the features of the product.

Please consult the sales team to clarify any doubt.

Luminaire

Code 05-9749
Name wall washers

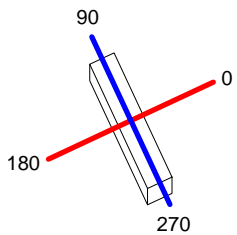
Measurerm.

Code 05-9749
Name wall washers

Luminaire Flux	659.26 lm	Luminaire Power	15.20 W	Efficacy	43.37 lm/W	Efficiency	64.63%
Lamps Flux	1020.00 lm	Maximum value	4122.39 cd	Position	C=105.00 G=3.00	CG	Asymmetrical
Rectangular Luminaire		Length	356 mm	Width	70 mm	Height	60 mm
Rectangular Luminous Area		Length	356 mm	Width	70 mm	Height	60 mm
Horizontal Luminous Area		0.024920 m2		Emitting area on Plane 180°		0.021360 m2	
Emitting area on Plane 0°		0.021360 m2		Emitting area on Plane 270°		0.004200 m2	
Emitting area on Plane 90°		0.004200 m2		Glare area at 76°		0.026754 m2	
Coordinate system		CG		Symmetry Type		Asymmetrical	
Date		23-06-2015		Maximum Gamma Angle		90	
Measurement Distance		0.00		Measurement Flux		1020.00 lm	
Operator				Source voltage			
Temperature		25.00 °C		Source current			
Humidity		60.00 %		Photocell			
Notes							

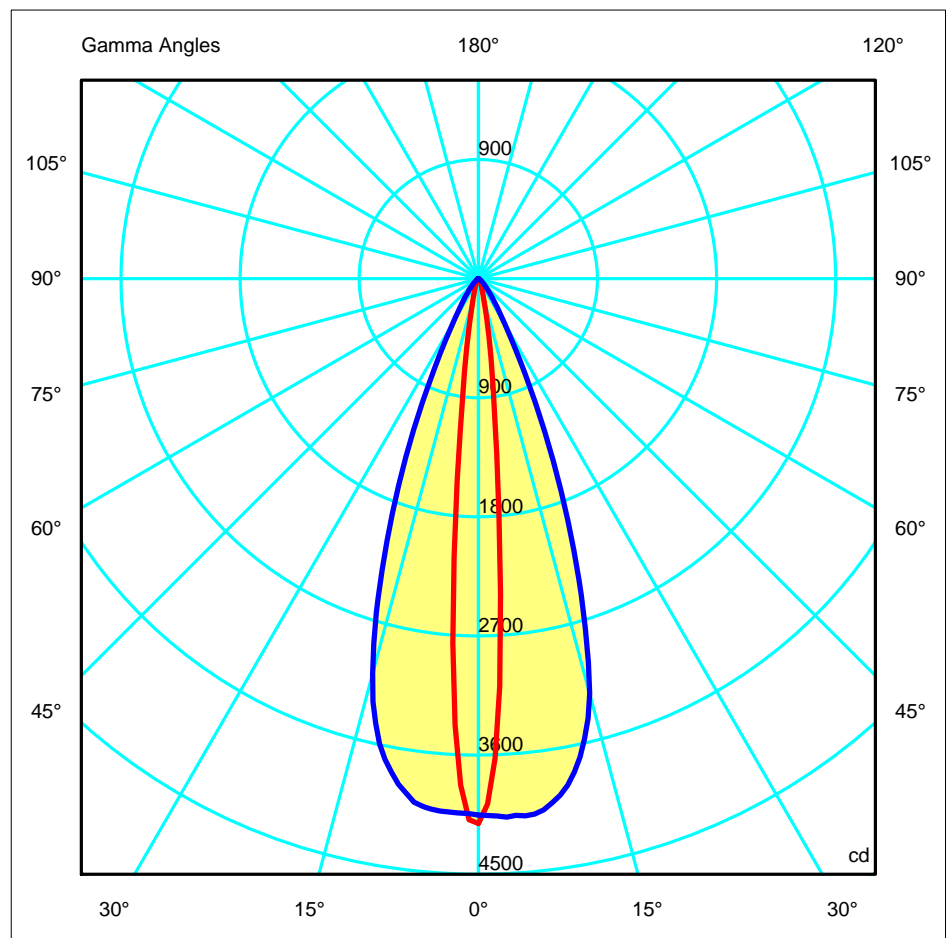
Line	Code	Luminaire Lamps		Flux [lm]	Pow. [W]	Q.ty
	11	Name	11 - 2.53 W	170.00	2.53	6
C.I.E.	96 99 100 100 65	D DIN 5040		A60		
F UTE	0.65 A	B NBN		BZ 1		

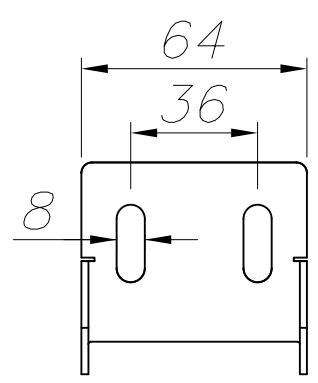
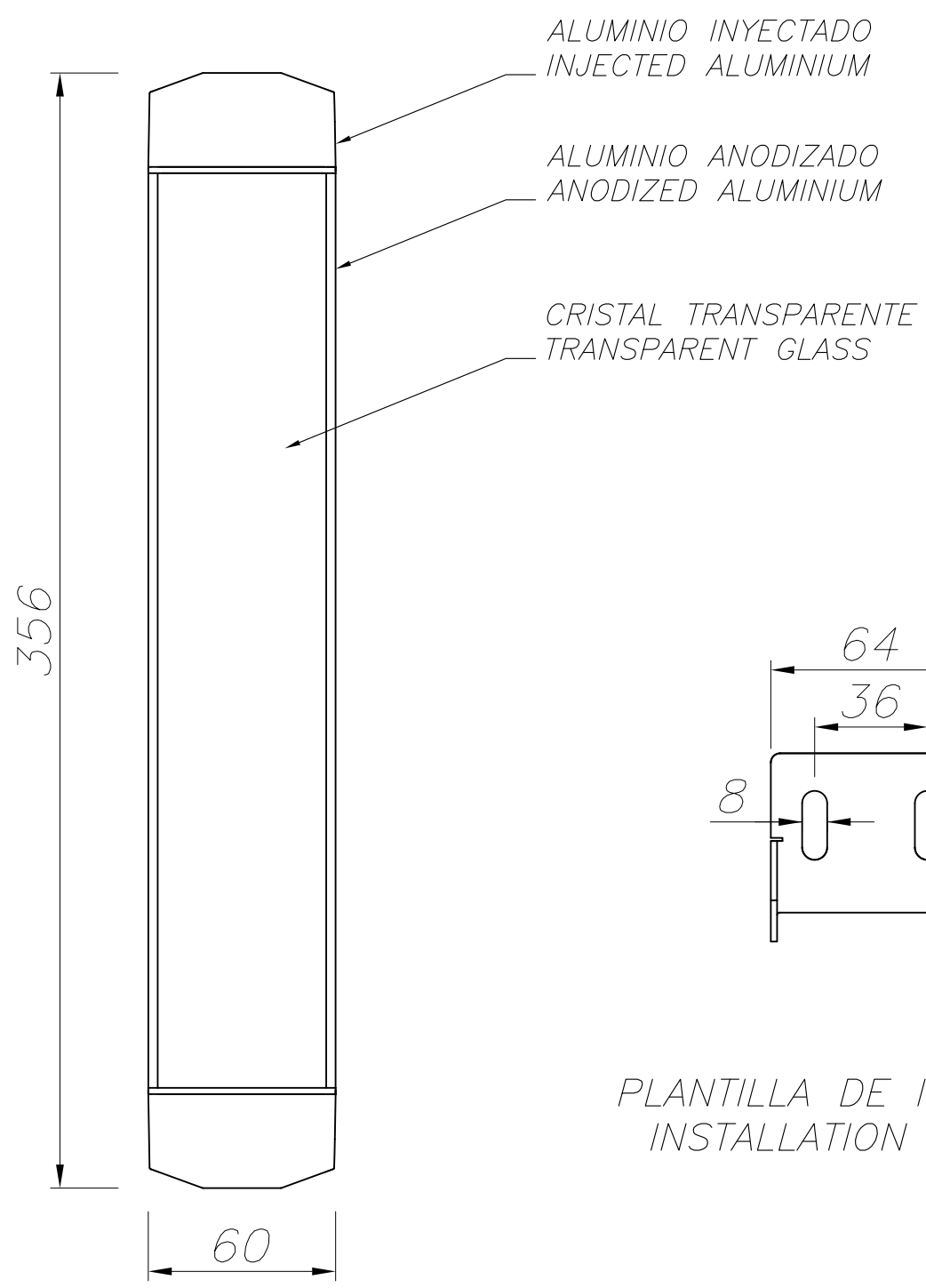
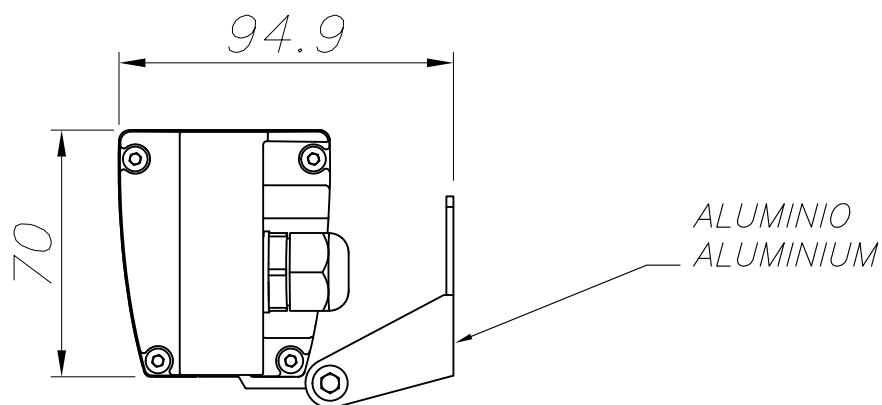
356mm x 70mm



C Halfplanes
 180.0 — 0.0
 270.0 — 90.0

ULOR 0.00 %
 DLOR 64.63 %
 RN 0.00 %





PLANTILLA DE INSTALACION
INSTALLATION TEMPLATE

