

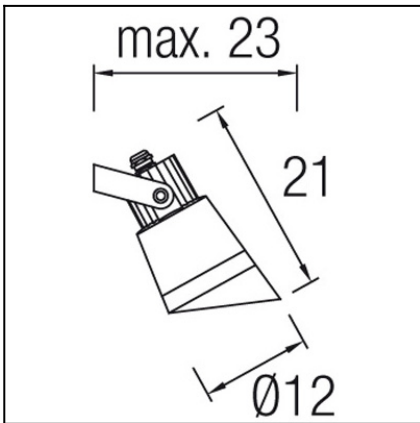
OUT

**HUBBLE**  
**05-9722-05-37**

Design by Francesc Vilaró

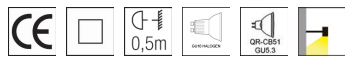


The photograph may not match the reference exactly. Please read the product description to identify the finish.



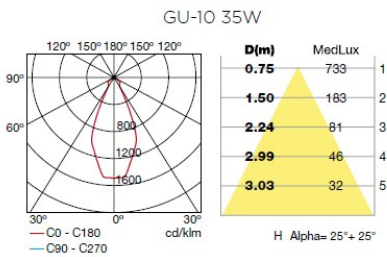
**TECHNICAL CHARACTERISTICS**

Type:	Spotlight
Adjustable:	Adjustable $\pm 90^\circ$ on the horizontal axis.
IP Protection degrees:	IP65
IK Protection degrees:	IK06
Light source 1:	1 x GU10 MAX 35W Maximum lamp length: 80.00 mm
Light source 2:	1 x GU5.3 MAX 35W Maximum lamp length: 80.00 mm
Voltage / Frequency:	220-240V/50-60Hz
Warranty (Years):	2
Units per box:	12
Net Weight (Kg):	0.73
EAN:	8435381408862

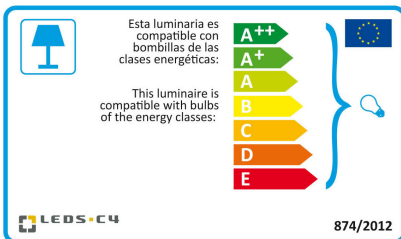


**MATERIALS / FINISHES**

<b>Structure material:</b>	Technopolymer	<b>Diffuser material:</b>	Glass
<b>Structure finish:</b>	Black	<b>Diffuser finish:</b>	Tempered



Download photometric file .ldt /.ies

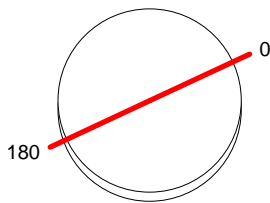


Click on image to download energy label

<b>Luminaire</b>		<b>Measur.</b>		<b>Lamp</b>	
Code	05-9722-05-37	Code	05-9722-05-37	Code	HALOPAR 16 50W
Name	HALOPAR 16 50W Aluminium-Reflektor	Name	HALOPAR 16 50W Aluminium-Reflektor	Number	1
Line	Eulumdat	Date	27-01-2014	Position	
Efficiency	100.04%	Coordinate system	CG	Total Flux	525.00 lm
Maximum value	1202.78 cd	Position	C=0.00 G=1.00	Rotosymmetrical	
Round Luminaire	Diam.	51 mm	Height	53 mm	
Round Luminous Area	Diam.	51 mm	Height	0 mm	
Horizontal Luminous Area	0.002043 m2	Emitting area on Plane 180°	0.000000 m2		
Emitting area on Plane 0°	0.000000 m2	Emitting area on Plane 270°	0.000000 m2		
Emitting area on Plane 90°	0.000000 m2	Glare area at 76°	0.000494 m2		
Symmetry Type	Rotosymmetrical	Maximum Gamma Angle	180		
Measurement Distance	0.00	Measurement Flux	525.00 lm		
Operator		Source voltage			
Temperature	25.00 °C	Source current			
Humidity	60.00 %	Photocell			
Notes					

Luminaire Lamps						
Line	Code	Name	Flux [lm]	Pow. [W]	Q.ty	
Eulumdat	HALOPAR 16 50W	HALOPAR 16 50W - 50.00 W	525.00	50.00	1	
C.I.E.	82 94 97 100 100	D DIN 5040	A60			
F UTE	1.00 B	B NBN	BZ 1			

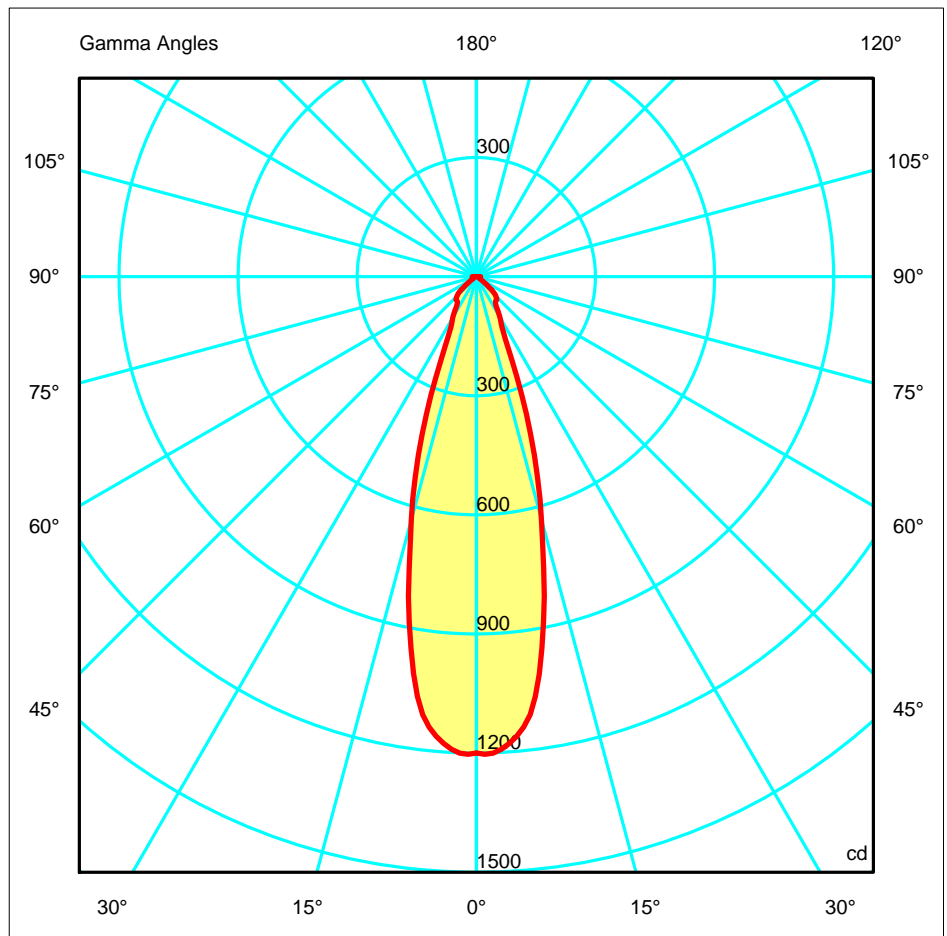
Diam=51mm

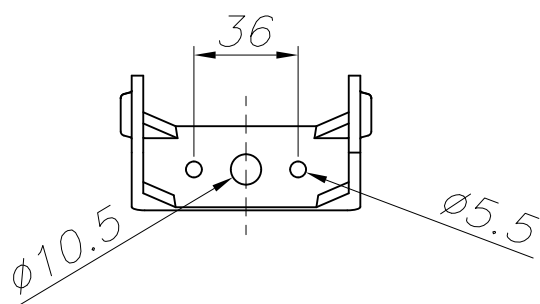
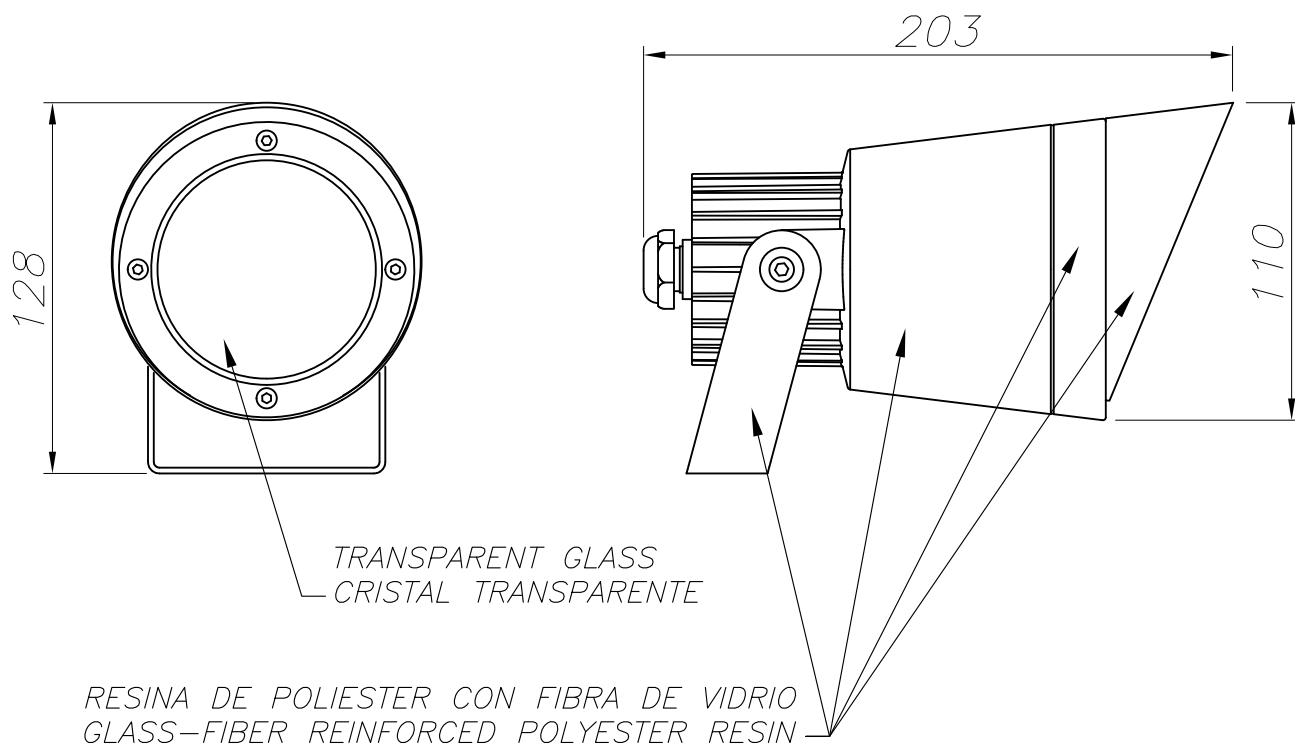


C Halfplanes

180.0 ——— 0.0

ULOR 0.11 %  
DLOR 99.93 %  
RN 0.11 %





PLANTILLA DE INSTALACIÓN  
INSTALLATION TEMPLATE

