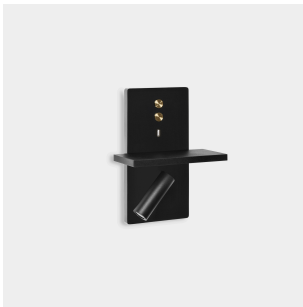


ELAMP Wall fixture

Designer: Francesc Vilaró



Description

Wall light for indoor use.

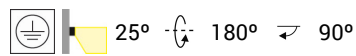
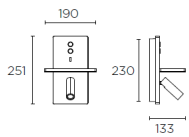
For frontal lighting and downlighting. Design by F. Vilaró. Timeless design. Connectivity. High durability for intensive use. The optical module can easily be rotated 360°. Structure material: Aluminium. Structure finish: Black, Gold. Warranty: 5 Years.

Finish

Black
Gold

Material

Aluminium



TECHNICAL CHARACTERISTICS

Light source

Light source: LED CREE
Output (W): 2.2W
Total power consumption (W): 14.7
Color temperature: Warm White - 2700K
CRI: 80
Real Lumen: 115
Nominal Lumen: 175
Qty Leds: 1
Lm/Real W: 8
Life Time: 50.000 L70B30
Bin / Grup: 8A3 o 8D2
MacAdam steps: 3
UGR: 24.7
Photobiological risk: RG0

GEAR

Brand: HEP
Gear included: Yes, electronic
Voltage / Frequency:
220-240VAC/50-60Hz
Power Factor: 0.50
Flickering: 3%
Flickering: 1.5%

Luminaire

Recessed: No
Warranty: 5 Years

Logistics

Energy Efficiency: LED A++
Net Weight (Kg): 0.000
Packing: 305 x 240 x 190

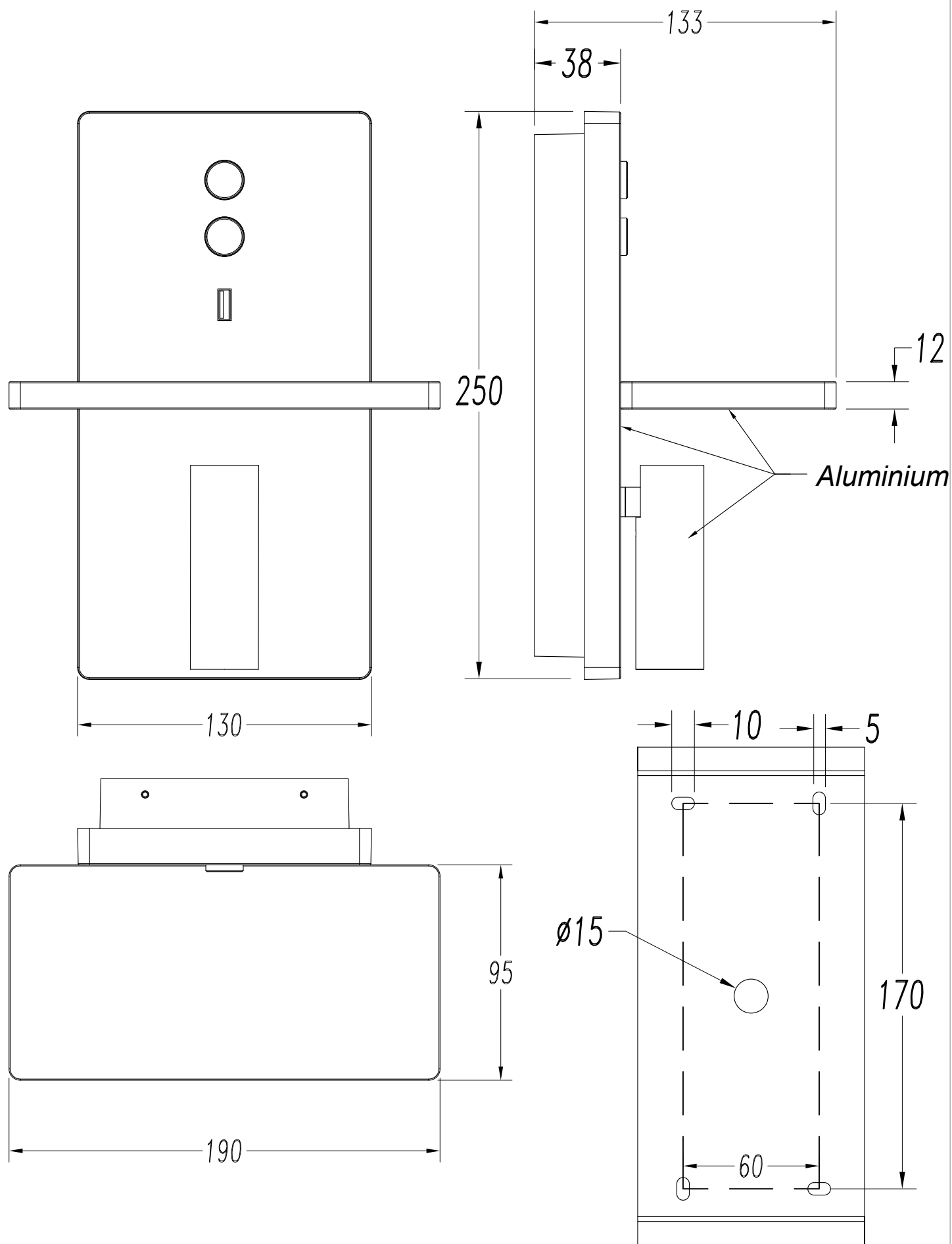
Light source

Light source: LED SAMSUNG
Output (W): 9W
Total power consumption (W): 14.7
Color temperature: Warm White - 2700K
CRI: 80
Real Lumen: 336
Nominal Lumen: 650
Qty Leds: 96
Lm/Real W: 23
Life Time: 50.000 L70B30
Bin / Grup: WA o WB
MacAdam steps: 3
Photobiological risk: RG0

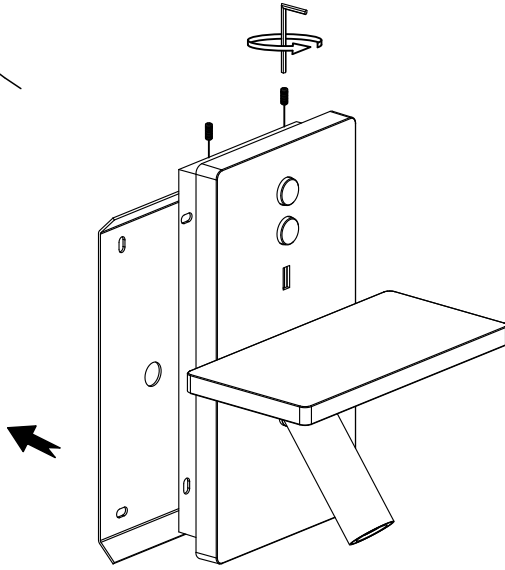
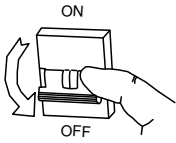
Light source

Light source: LED
Total power consumption (W): 14.7

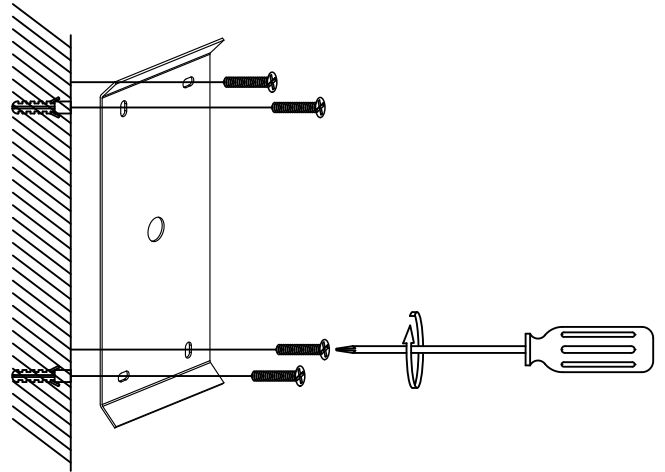
The photograph may not match the reference exactly. Please read the product description to identify the finish.



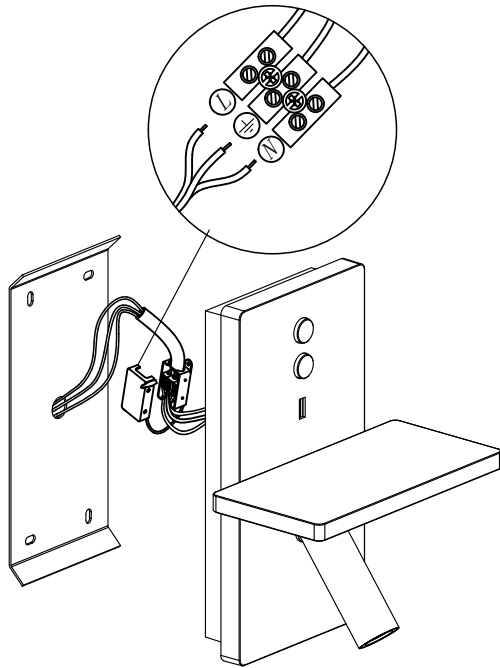
1



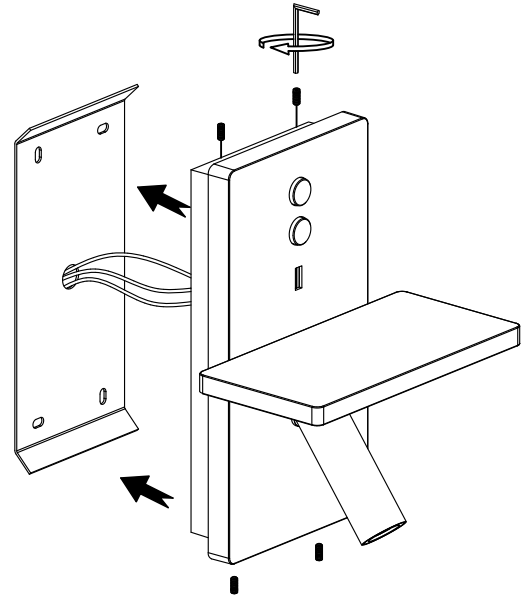
2



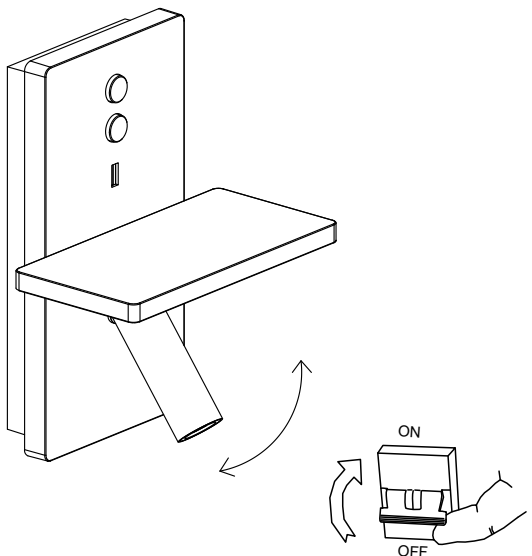
3



4



5



6

