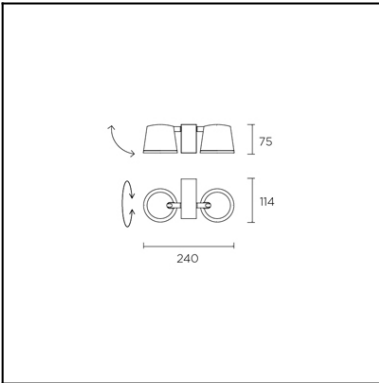


Design by Lluscà



The photograph may not match the reference exactly. Please read the product description to identify the finish.



TECHNICAL CHARACTERISTICS

Type:	Wall fixture
Adjustable:	Adjustable from 0° to 90° on the horizontal axis Adjustable 355° on the horizontal axis.
IP Protection degrees:	IP20
Light source 1:	2 x LED Cree 14W Warm White - 2700K 1100 lm ^(N) CRI 80
Total power consumption (W):	16,3W
Angle of the optics / Reflector:	120°
Voltage / Frequency:	120-227V/50-60Hz
Warranty (Years):	2
Option to extend the guarantee (Years):	5
Units per box:	6
Net Weight (Kg):	0.845
EAN:	8435381444990



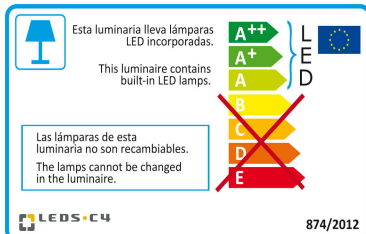
MATERIALS / FINISHES

Structure material:	Aluminium	Diffuser material:	Aluminium
Structure finish:	Dark brown		

GEAR

Multi-voltage electronic gear included (120-277V / 50-60Hz)

Download photometric file .ldt / .ies

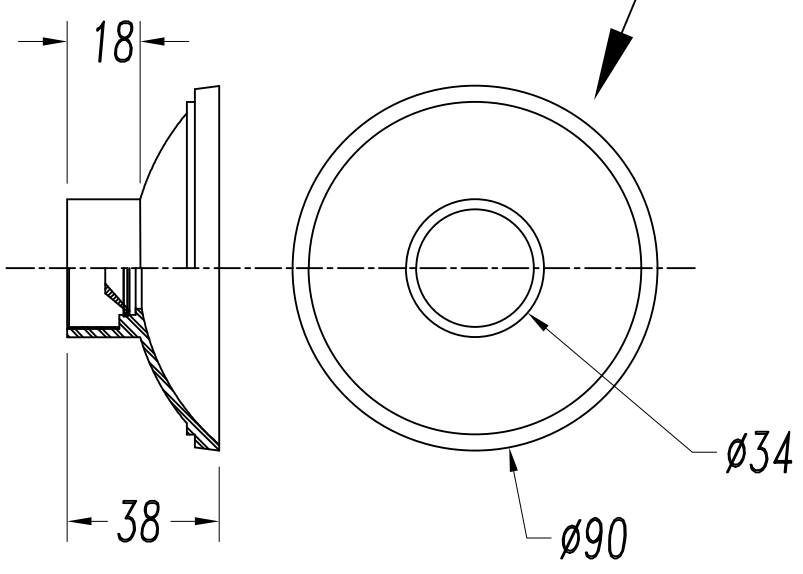
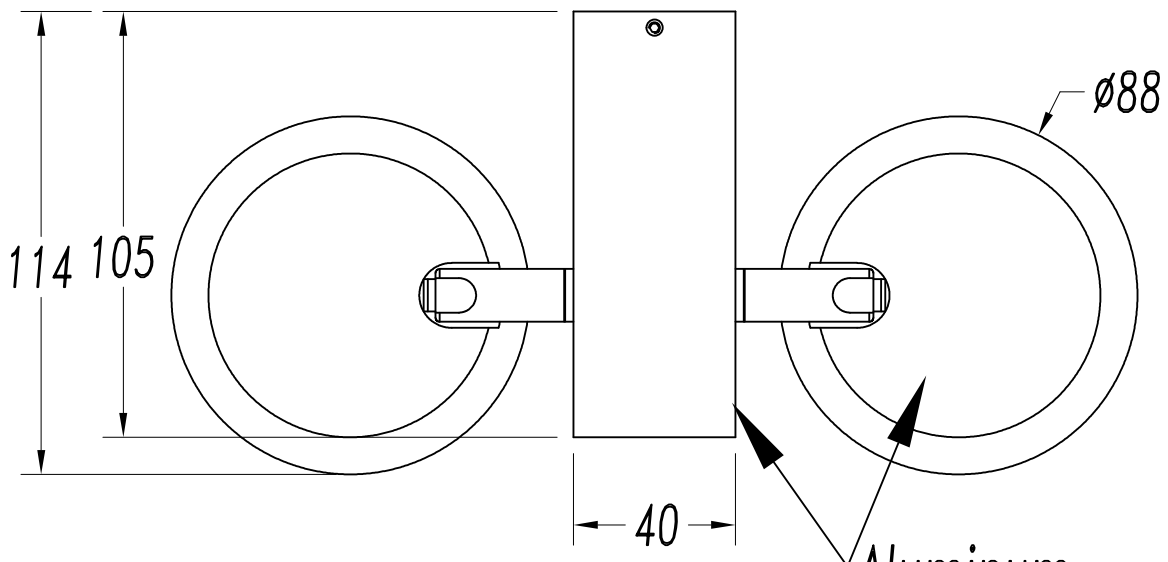
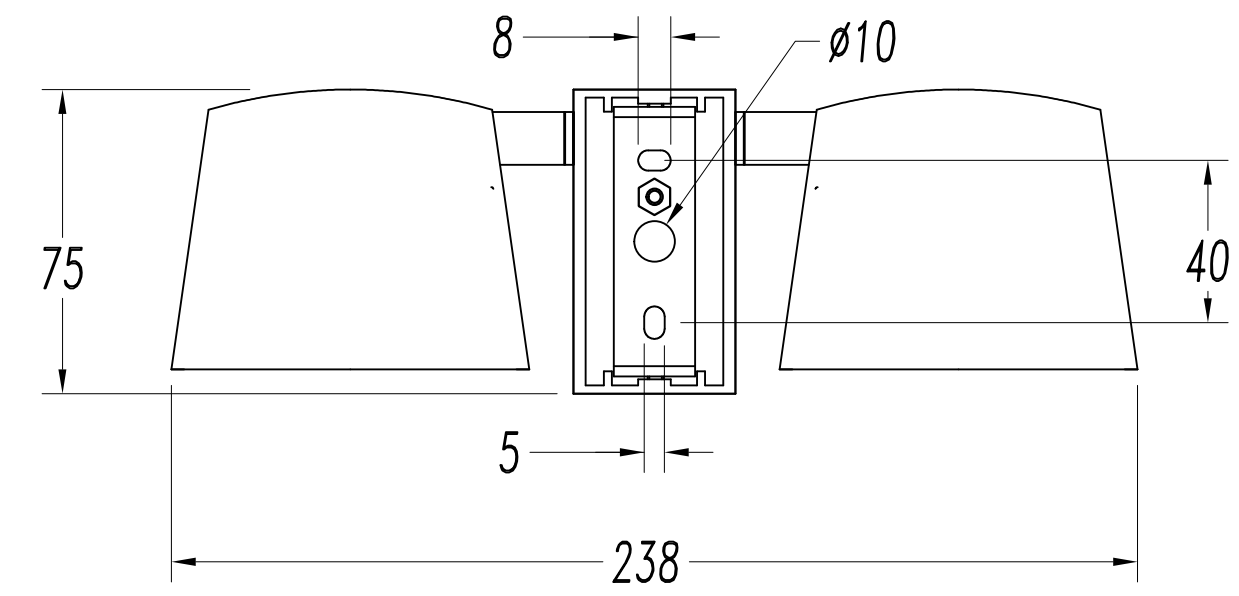


Click on image to download energy label

Lm^(N): Nominal flow of light in actual working conditions. Its actual flow will depend on the environmental conditions and the efficiency of the optics and/or diffuser.

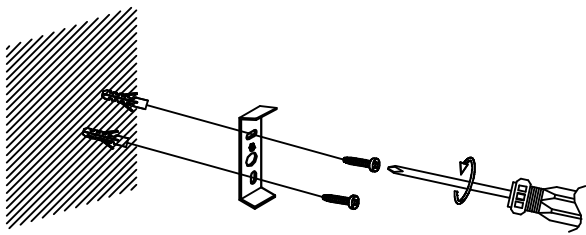
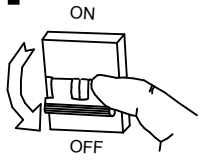
LEDS-C4 reserves the right to make the necessary technical changes they deem adequate, in order to improve the features of the product.

Please consult the sales team to clarify any doubt.

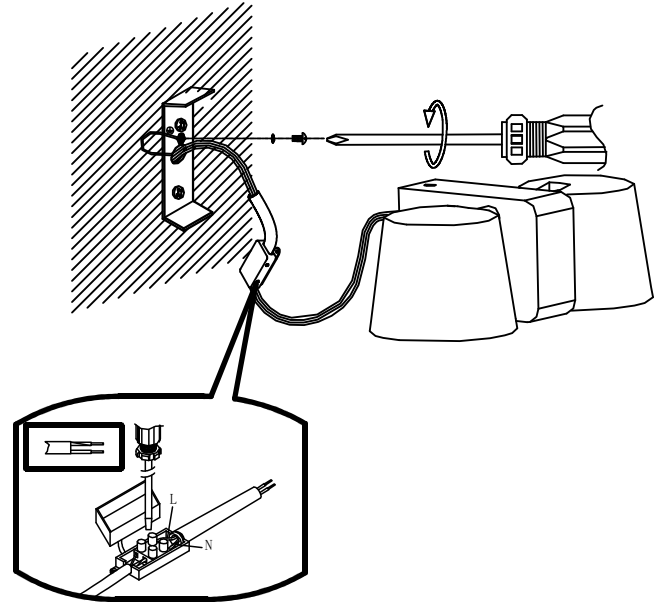


Aluminum

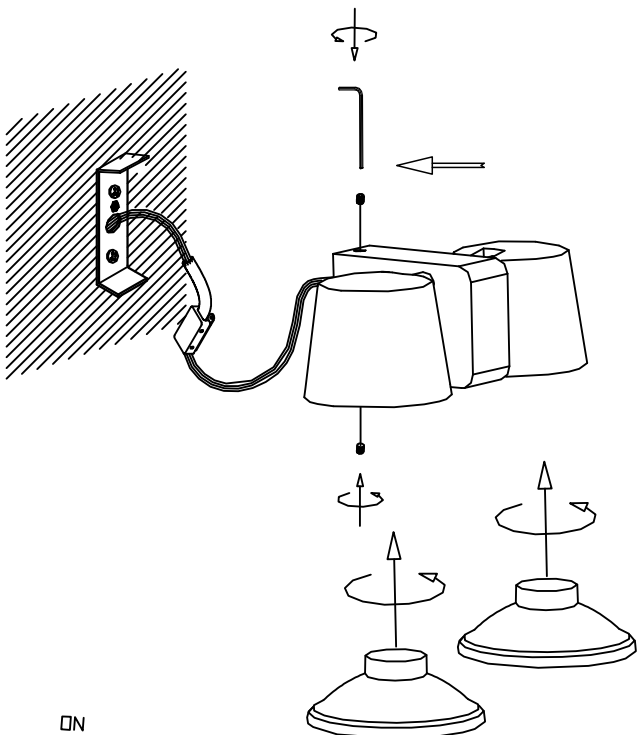
1



2



3



4

