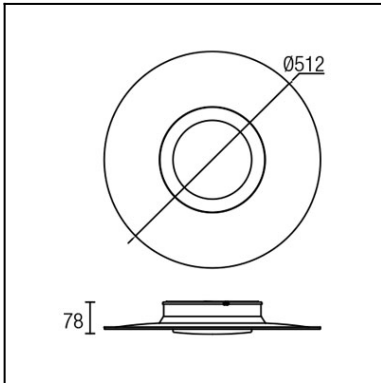
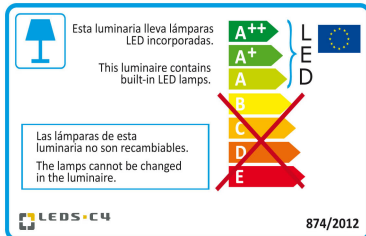


The photograph may not match the reference exactly. Please read the product description to identify the finish.



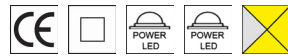
[Download photometric file .ldt / .ies](#)



[Click on image to download energy label](#)

TECHNICAL CHARACTERISTICS

Type:	Wall fixture
IP Protection degrees:	IP23
Light source 1:	48 x LED 9W 765 lm ⁽⁰⁾ CRI 80
Light source 2:	72 x LED 13.5W 1147 lm ⁽⁰⁾ CRI 80
Voltage / Frequency:	100-240V/50-60Hz
Warranty (Years):	2
Option to extend the guarantee (Years):	5
Units per box:	1
Net Weight (Kg):	2.24
EAN:	8435381426880



MATERIALS / FINISHES

Structure material:	Aluminium	Diffuser material:	Methacrylate shade Methacrylate shade
Structure finish:	Matt white	Diffuser finish:	Transparent Sandblasted

GEAR

Multi-voltage electronic gear included (100-240V / 50-60Hz)

RESUMEN INFORME DE ENSAYO

LED'S C4

05-5085-BW-BW

Referencia de ensayo: 324

Fecha del informe: 10-6-15

Resumen

Informe de prueba fotométrica.

Matriz de intensidades	SI
Diagrama polar	SI
Diagrama cartesiano	SI
Fichero eulumdat	SI
Fichero IESNA	-----
Fichero OXL	-----

Informe de prueba colorimétrica -----



Responsable laboratorio

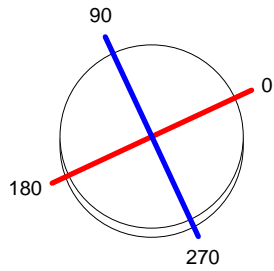


Director Técnico

Luminaire		Measur.		Lamp	
Code	05-5085-BW-BW	Code	05-5085-BW-BW	Code	05-5085-BW-BW
Name	Aplique BIGBANG leds13.5W + 9W	Name	Aplique BIGBANG leds13.5W + 9W	Number	1
Line	- LEDS C4 LEDS	Date	10-06-2015	Position	Universal
Efficiency	100.00%	Coordinate system	CG	Total Flux	835.19 lm
Maximum value	114.37 cd	Position	C=75.00 G=80.00	Double Symmetrical	
Round Luminaire	Diam.	510 mm	Height	80 mm	
Round Luminous Area	Diam.	510 mm	Height	80 mm	
Horizontal Luminous Area	0.204282 m2		Emitting area on Plane 180°	0.040800 m2	
Emitting area on Plane 0°	0.040800 m2		Emitting area on Plane 270°	0.040800 m2	
Emitting area on Plane 90°	0.040800 m2		Glare area at 76°	0.089008 m2	
Symmetry Type	Double Symmetrical		Maximum Gamma Angle	180	
Measurement Distance	6.44		Measurement Flux	835.19 lm	
Operator	Asselum T2		Source voltage	230.00 V	
Temperature	25.00 °C		Source current	Prc	
Humidity	49.00 %		Photocell		
Notes					

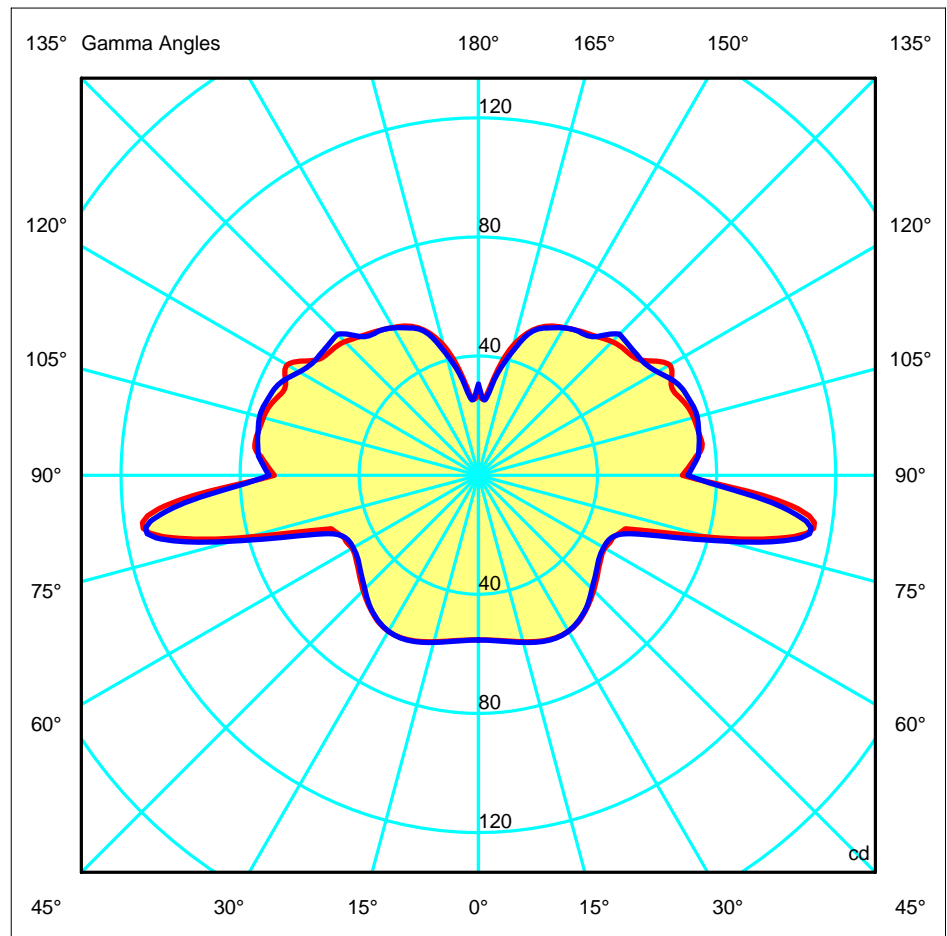
Luminaire Lamps						
Line	Code	Name	Flux [lm]	Pow. [W]	Q.ty	
- LEDS C4 LEDS	05-5085-BW-BW	Lámpara leds 13.5W + 9W	835.19	22.00	1	
C.I.E.	22 42 65 50 100	D DIN 5040	C11			
F UTE	0.50 J + 0.50 T	B NBN	BZ 9 / 1.5 / BZ 10			

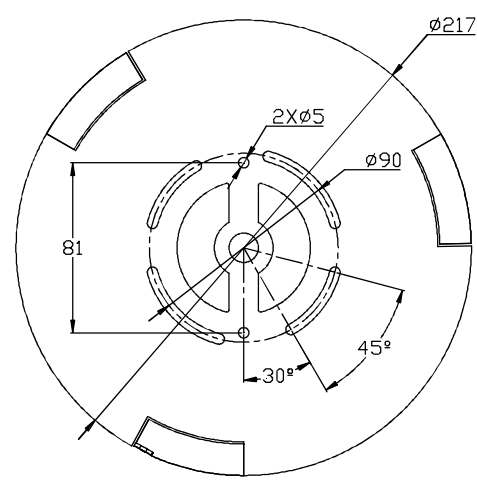
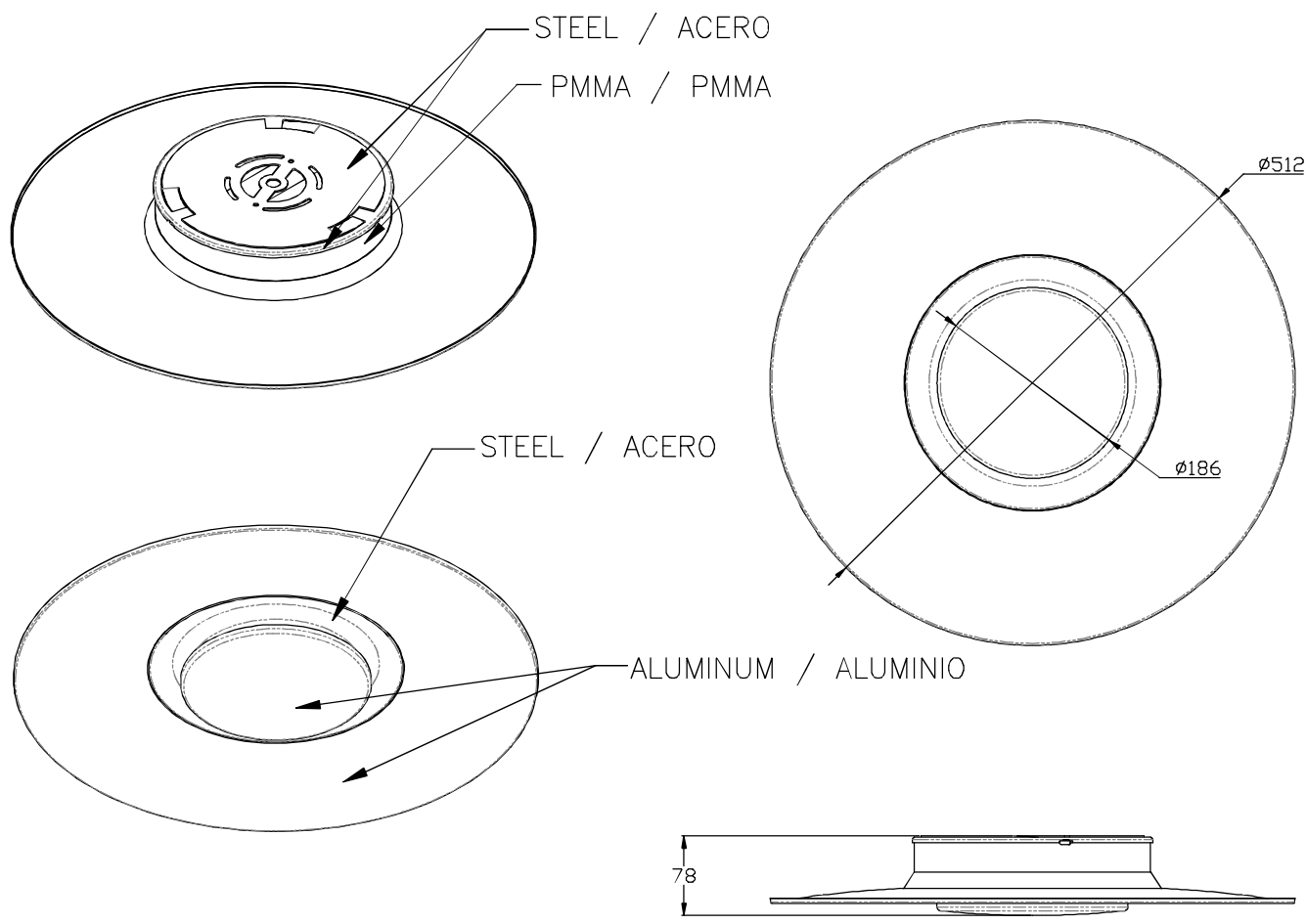
Diam=510mm



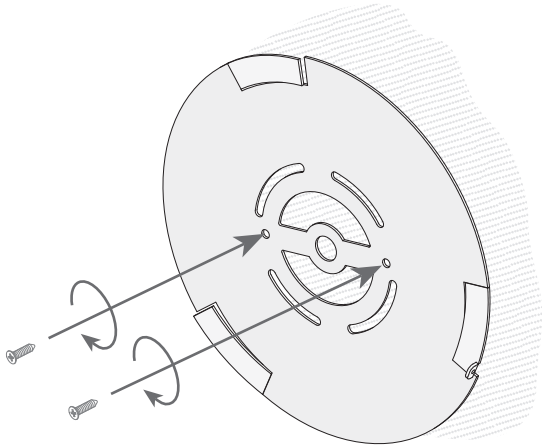
C Halfplanes
 180.0 ——— 0.0
 270.0 ——— 90.0

ULOR 50.12 %
 DLOR 49.88 %
 RN 50.12 %

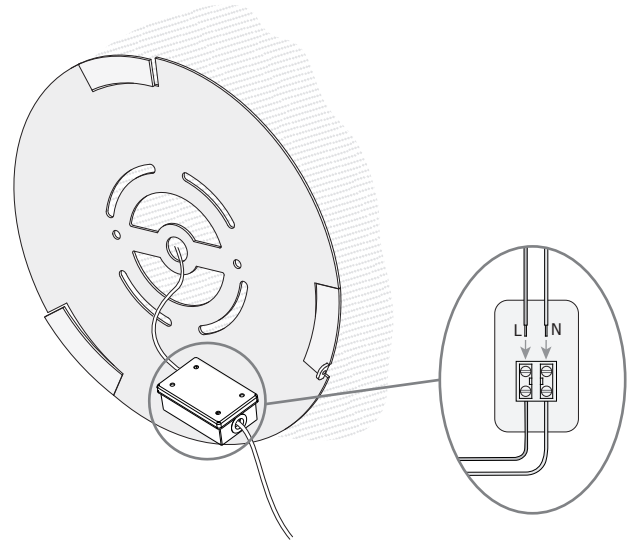




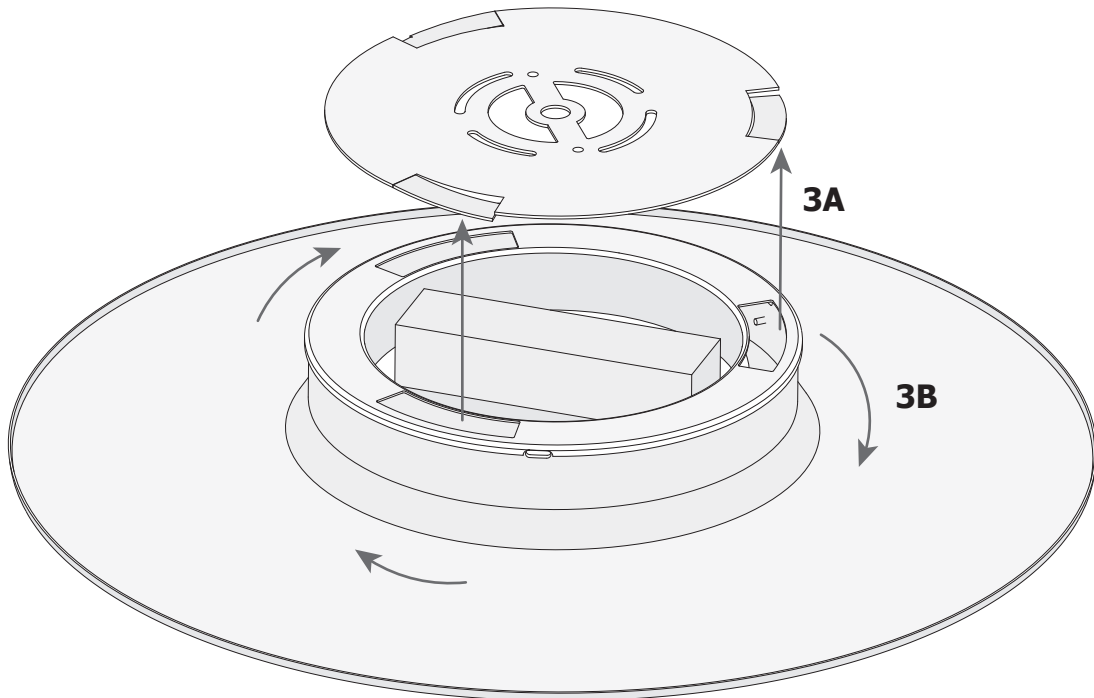
1



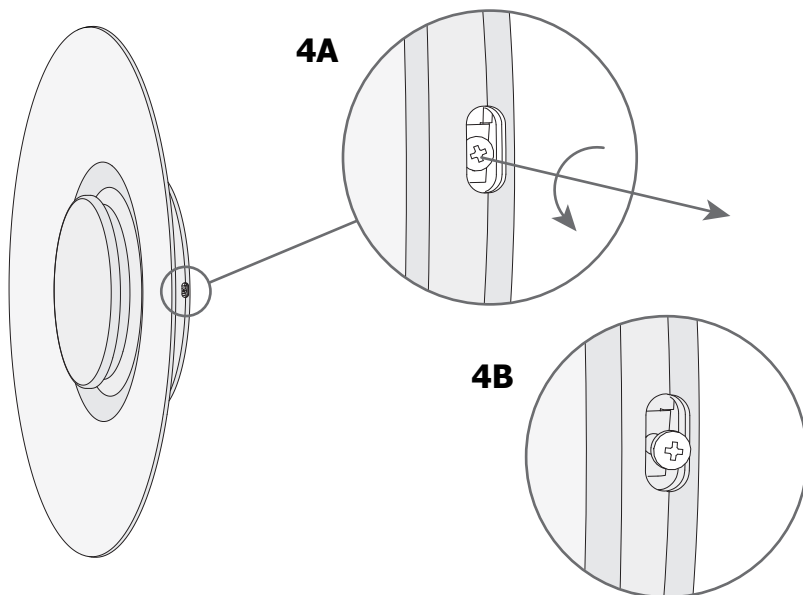
2



3



4



5

