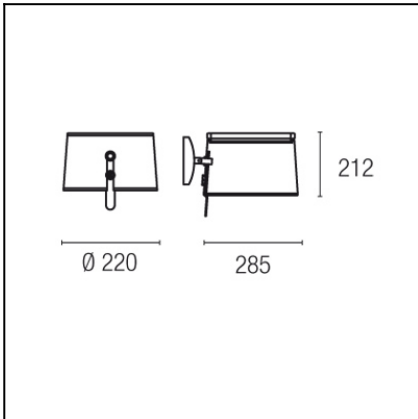




The photograph may not match the reference exactly. Please read the product description to identify the finish.



TECHNICAL CHARACTERISTICS

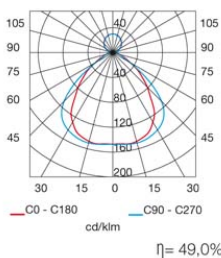
Type:	Wall fixture
Adjustable:	Adjustable 350° on the vertical axis.
IP Protection degrees:	IP20
Light source 1:	1 x E27 16W Maximum lamp length: 140.00 mm
Total power consumption (W):	16
Voltage / Frequency:	230V/50-60Hz
Warranty (Years):	2
Units per box:	6
Net Weight (Kg):	0.68
EAN:	8435111073278



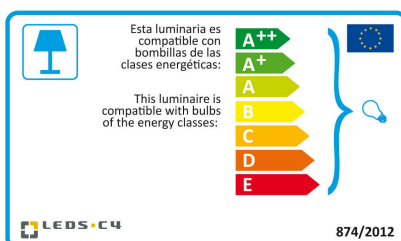
MATERIALS / FINISHES

Structure material: Steel	Diffuser material: Fabric shade Acrylic
Structure finish: Chrome Urban grey	Diffuser finish: Black Bright opal

05-4339-21-05
PL E-27 14W



Download photometric file .ldt / .ies



Click on image to download energy label

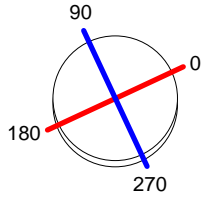
LEDS-C4 reserves the right to make the necessary technical changes they deem adequate, in order to improve the features of the product.

Please consult the sales team to clarify any doubt.

Luminaria		Ensayo		Lámpara	
Código	05-4339-21-05	Código	05-4339-21-05	Código	PL ELEC14W/827 E27
Nombre	Apliche 14W fluor compact E27	Nombre	Apliche 14W fluor compact E27	Número	1
Familia	- LEDS-C4	Fecha	24-02-2010	Posición	Universal
Eficiencia	49.09%	Sist. de Coorden.	C-G	Flujo Total	900.00 lm
Valor Máximo	150.53 cd	Posición	C=90.00 G=15.00		Bisimétrico

Diam=220mm

Semiplanos C



180.0 ——— 0.0
270.0 ——— 90.0

