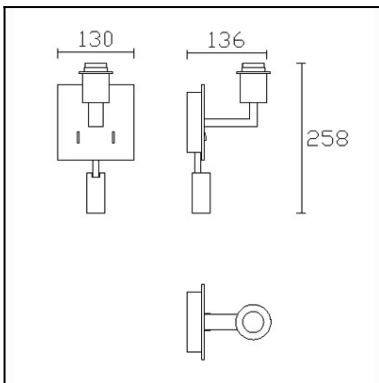
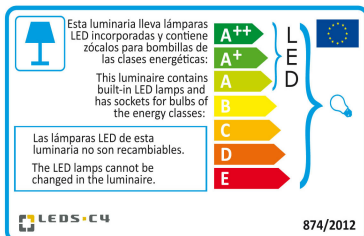




The photograph may not match the reference exactly. Please read the product description to identify the finish.



[Download photometric file .ldt / .ies](#)



[Click on image to download energy label](#)

Description

Shade not included. To see available shades, please download file [Accessory](#).

TECHNICAL CHARACTERISTICS

| | |
|---|--|
| Type: | Wall fixture |
| Adjustable: | Adjustable 355° on the vertical axis.2 Adjustable from 0° to 90° on the horizontal axis |
| IP Protection degrees: | IP20 |
| Light source 1: | 1 x E27 MAX 60W |
| Light source 2: | 1 x LED Cree 2.1W Warm White - 3000K 182 lm ^(N) CRI 80 |
| Total power consumption (W): | 61.5 |
| Voltage / Frequency: | 100-240V/50-60Hz |
| Warranty (Years): | 2 |
| Option to extend the guarantee (Years): | 5 |
| Units per box: | 8 |
| Net Weight (Kg): | 0.95 |
| EAN: | 8435381412470 |



MATERIALS / FINISHES

| | |
|----------------------------|----------------|
| Structure material: | Steel Zamak |
| Structure finish: | Patine |

GEAR

Multi-voltage electronic gear included (110-240 V / 50-60 Hz)

Lm^(N): Nominal flow of light in actual working conditions. Its actual flow will depend on the environmental conditions and the efficiency of the optics and/or diffuser.

LEDS-C4 reserves the right to make the necessary technical changes they deem adequate, in order to improve the features of the product.

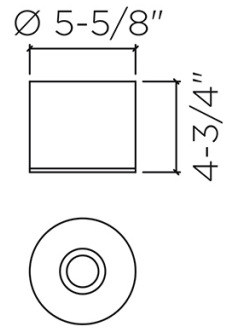
Please consult the sales team to clarify any doubt.


PAN-175-14



Shade, white, Ø140mm

Structure material: Steel
Diffuser material: Fabric shade
Diffuser finish: White



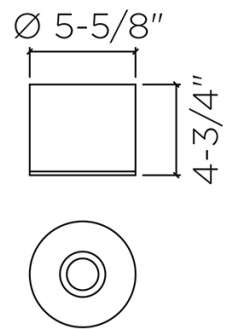
IP20 


PAN-175-BY



Shade, beige fabric, Ø140mm

Structure material: Steel
Diffuser material: Fabric shade
Diffuser finish: Sandblasted



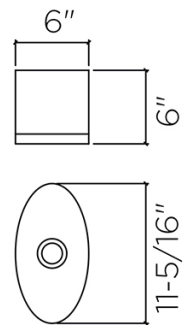
IP20 

PAN-177-14



Shade, oval shape, white, 285x150x150mm

Structure material: Steel
Diffuser material: Fabric shade
Diffuser finish: White



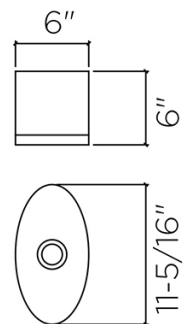


PAN-177-BY



Shade, oval shape, beige fabric, 285x150x150mm

Structure material: Steel
Diffuser material: Fabric shade
Diffuser finish: Sandblasted



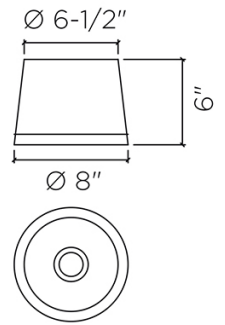


PAN-157-14



Shade, white, Ø200mm

Structure material: Steel
Diffuser material: Fabric shade
Diffuser finish: White

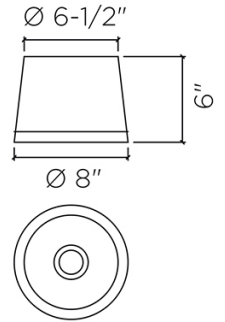


IP20 RF
850°C

PAN-157-BY



Structure material: Steel
Diffuser material: Fabric shade
Diffuser finish: Sandblasted



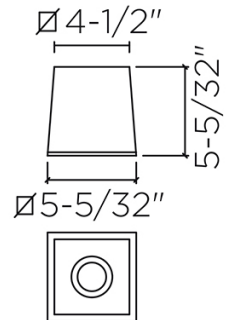
IP20 RF
850°C

PAN-178-14



Shade, white, 130x130x110mm

Structure material: Steel
Diffuser material: Fabric shade
Diffuser finish: White



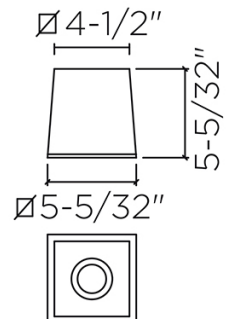
IP20 650°

PAN-178-BY



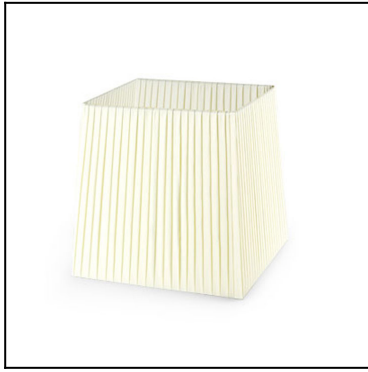
Shade, beige fabric, 130x130x110mm

Structure material: Steel
Diffuser material: Fabric shade
Diffuser finish: Sandblasted



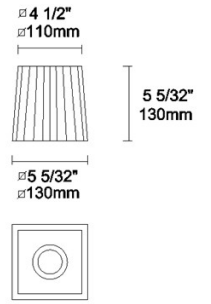
IP20 650°

PAN-186-20



Shade, beige, pleated, 130x130x110mm

Structure material: Steel
Diffuser material: Ribbed shade
Diffuser finish: Beige



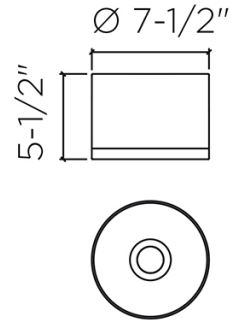
IP20 RF
850°C

PAN-198-V7



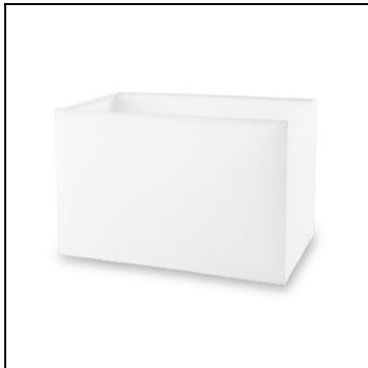
Shade, old copper, Ø186mm

Structure material: Steel
Diffuser material: PVC
Diffuser finish: Antique copper



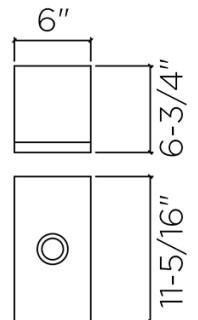
IP20 RF
850°C

PAN-176-14



Shade, white, 182x170x150mm

Structure material: Steel
Diffuser material: Fabric shade
Diffuser finish: White



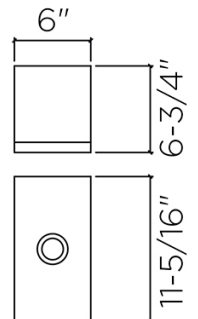
RF
850°C

PAN-176-BY



Shade, beige fabric, 182x170x150mm

Structure material: Steel
Diffuser material: Fabric shade
Diffuser finish: Sandblasted



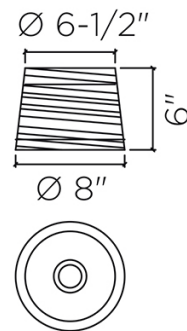
RF
850°C

PAN-219-14



Shade, white, horizontal wrapping, Ø200mm

- Structure material:** Steel
- Structure finish:** White
- Diffuser material:** Ribboned shade
PVC
- Diffuser finish:** White



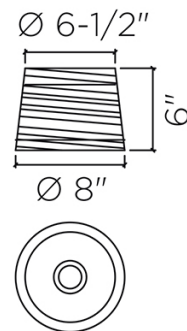
IP20 RF
850°C

PAN-219-05

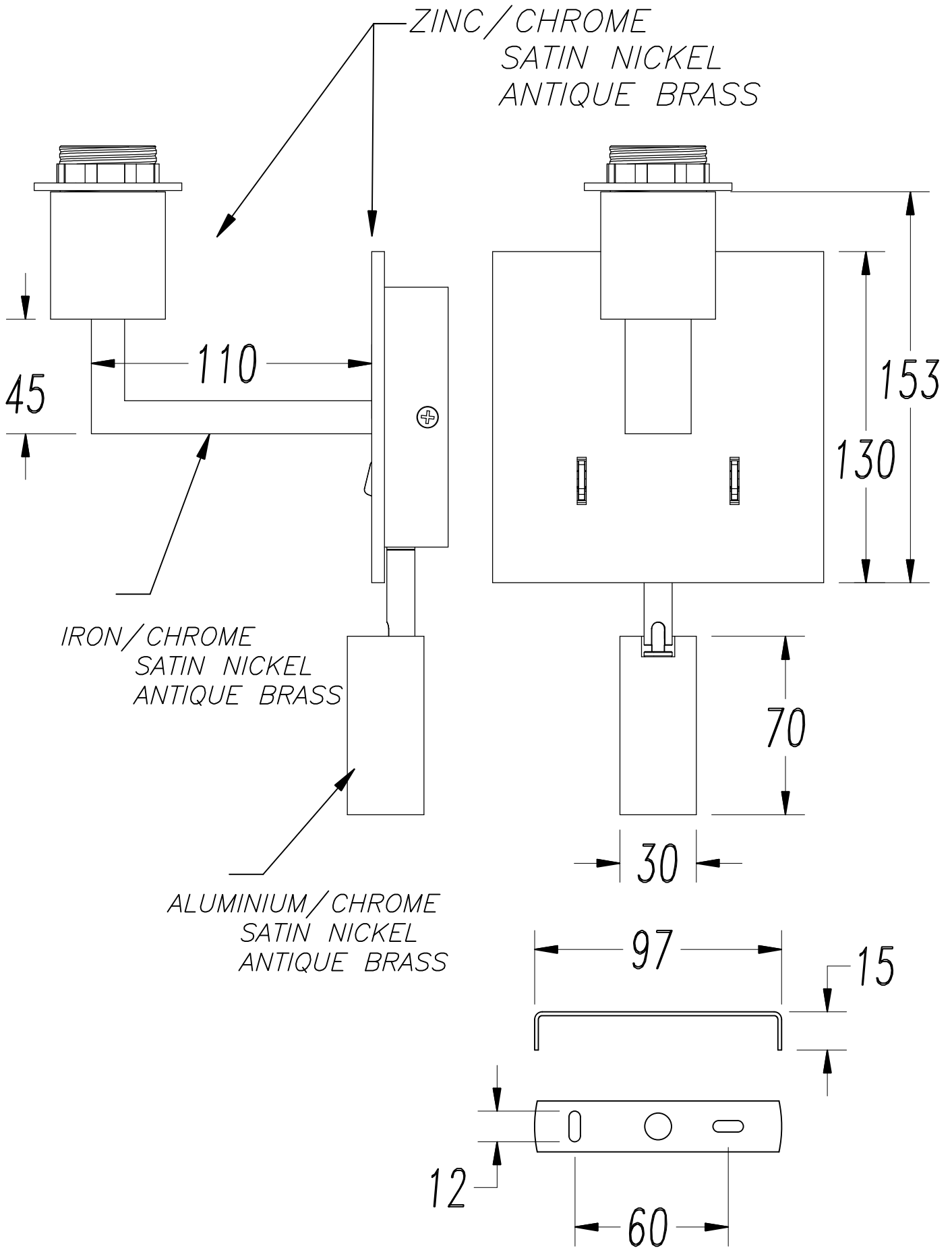


Shade, black horizontal wrapping, Ø200mm

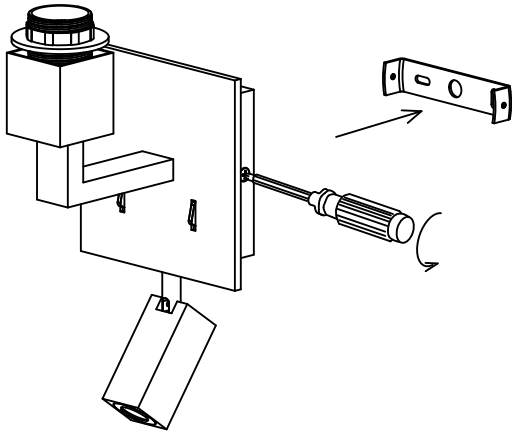
- Structure material:** Steel
- Structure finish:** White
- Diffuser material:** Ribboned shade
PVC
- Diffuser finish:** Black



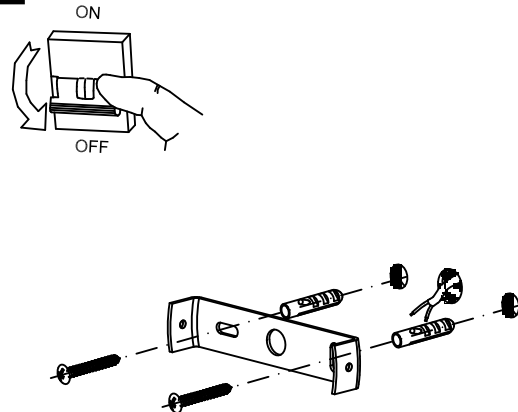
IP20 RF
850°C



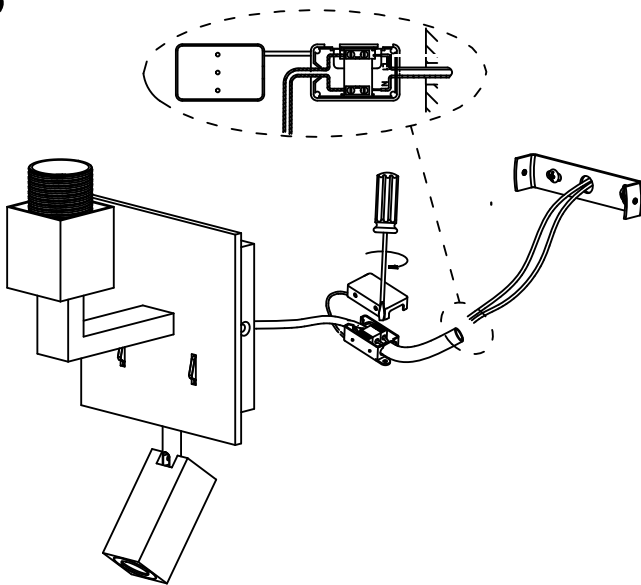
1



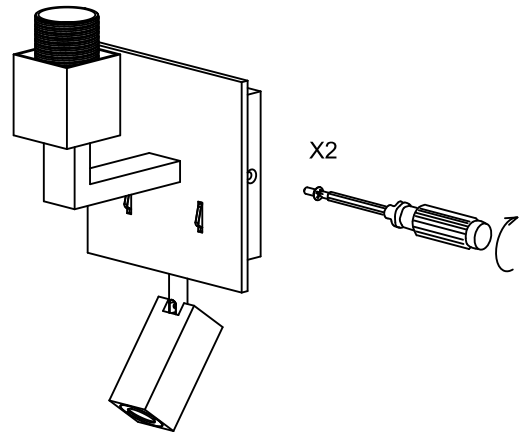
2



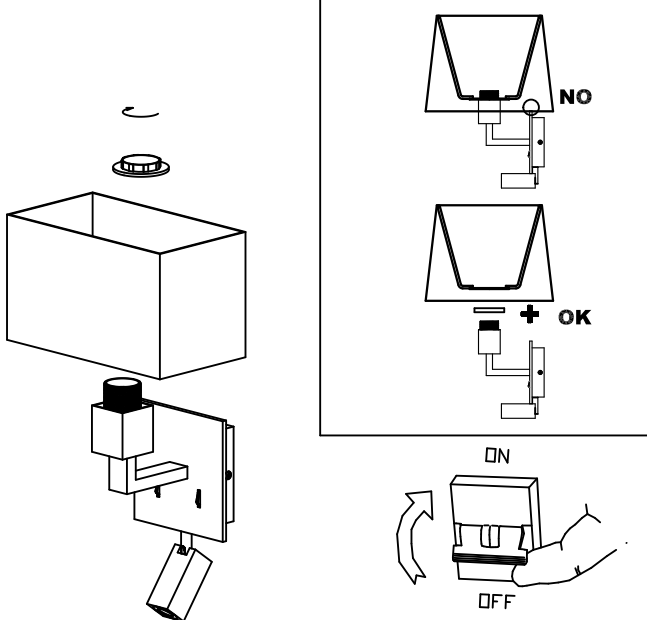
3



4



5



6

