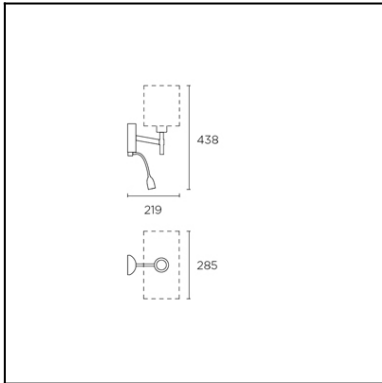
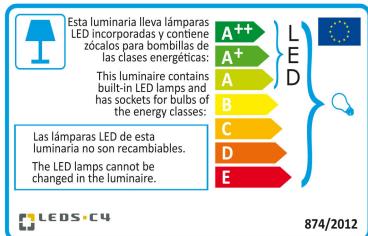




The photograph may not match the reference exactly. Please read the product description to identify the finish.



[Download photometric file .ldt /.ies](#)



[Click on image to download energy label](#)

Description

Shade not included. To see available shades, please download file Accessory .

TECHNICAL CHARACTERISTICS

Type:	Wall fixture
IP Protection degrees:	IP20
Light source 1:	1 x LED
Bulb specified at the product label	2.2W Warm White - 3000K 182 lm ^(N) CRI 80
Light source 2:	1 x E27
Bulb specified at the product label	60W 0 lm ^(N)
Angle of the optics / Reflector:	25°
Voltage / Frequency:	100-240V/50-60Hz
Warranty:	2
Option to extend the guarantee:	5
Units per box:	12
Net Weight (Kg):	0.660
EAN Code:	8435381461898



MATERIALS / FINISHES

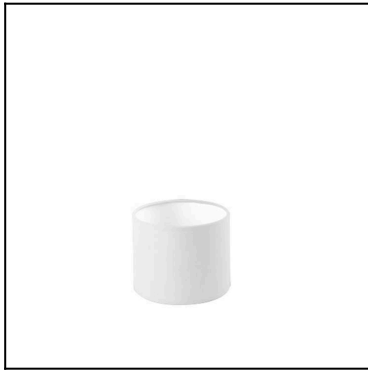
Structure material: Steel

Structure finish: Satin nickel

GEAR

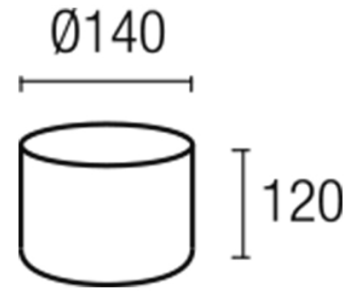
Multi-voltage electronic gear included (Yes)

PAN-175-14



Shade, white, Ø140mm

Structure material: Steel
Diffuser material: Fabric shade
Diffuser finish: White



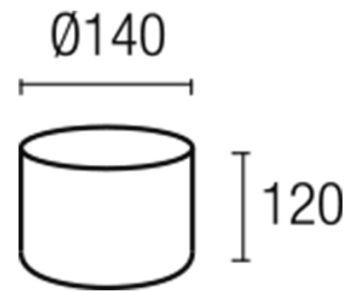
IP20 

PAN-175-BY



Shade, beige fabric, Ø140mm

Structure material: Steel
Diffuser material: Fabric shade
Diffuser finish: Sandblasted



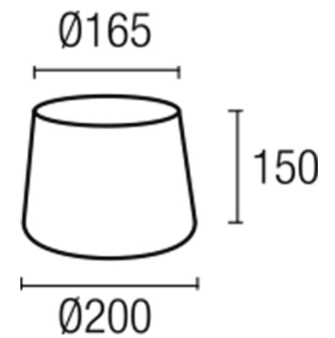
IP20 

PAN-157-14



Shade, white, Ø200mm

Structure material: Steel
Diffuser material: Fabric shade
Diffuser finish: White

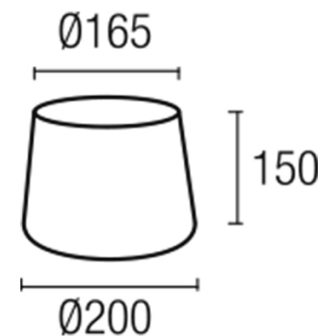


IP20 

PAN-157-BY



Structure material: Steel
Diffuser material: Fabric shade
Diffuser finish: Sandblasted

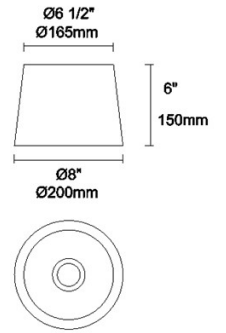


IP20 

PAN-158-J6

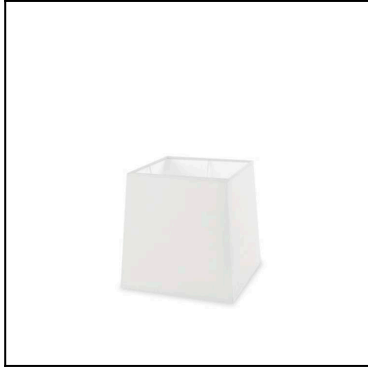


Structure material: Steel
Diffuser material: Ribbed shade
Diffuser finish: Brown



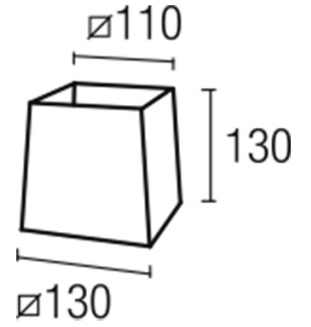
IP20 

PAN-178-14

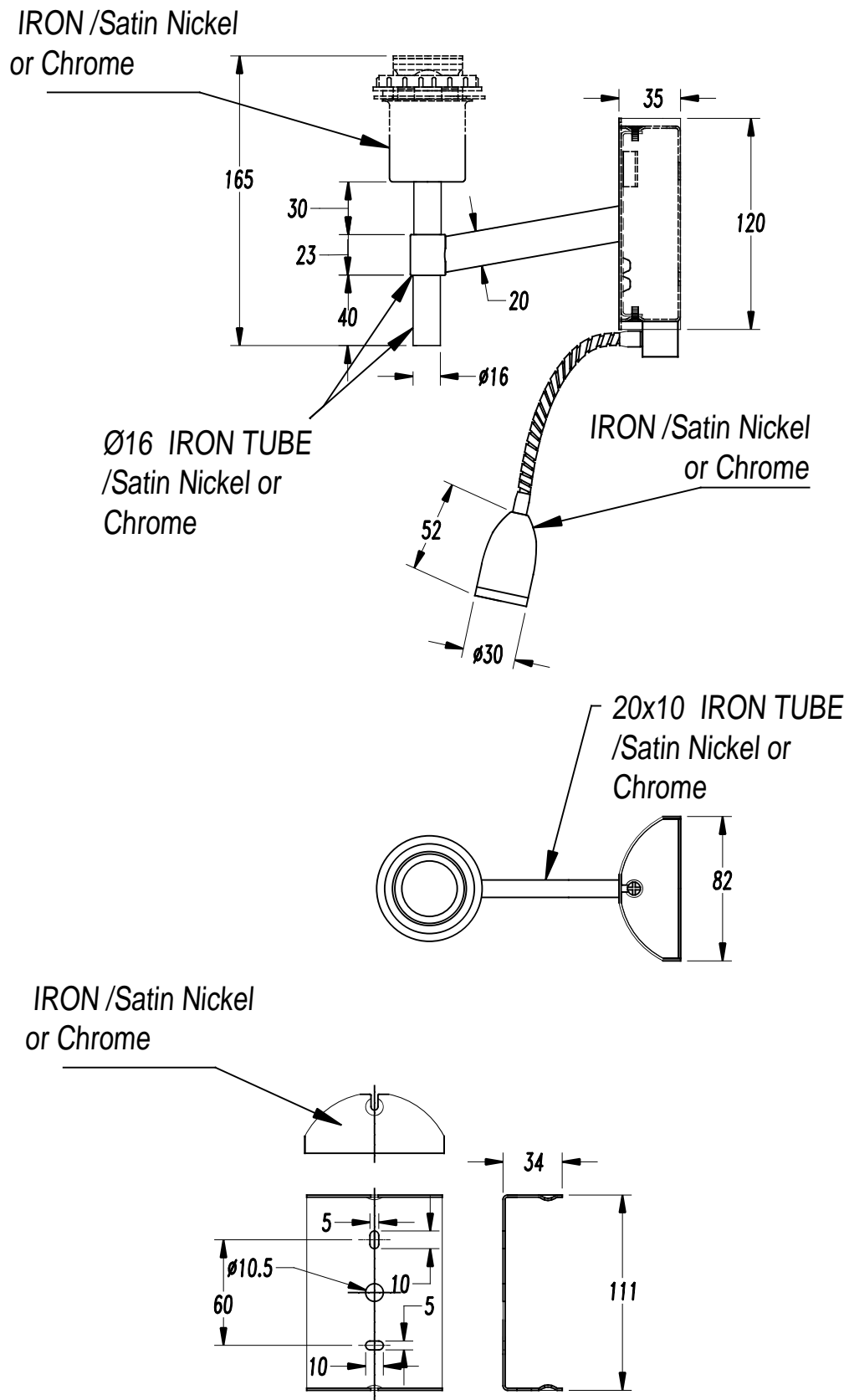


Shade, white, 130x130x110mm

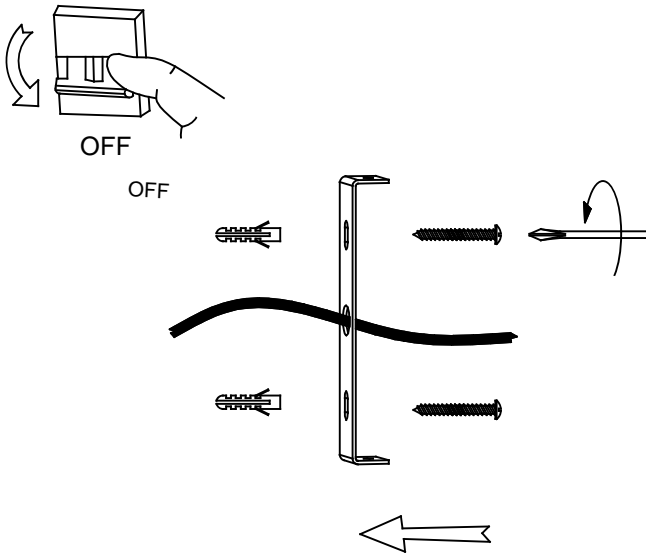
Structure material: Steel
Diffuser material: Fabric shade
Diffuser finish: White



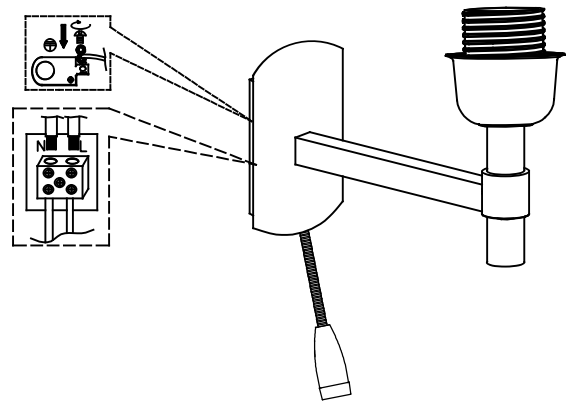
IP20 



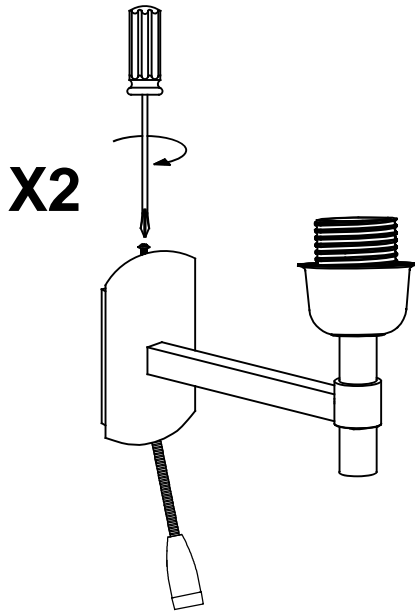
1



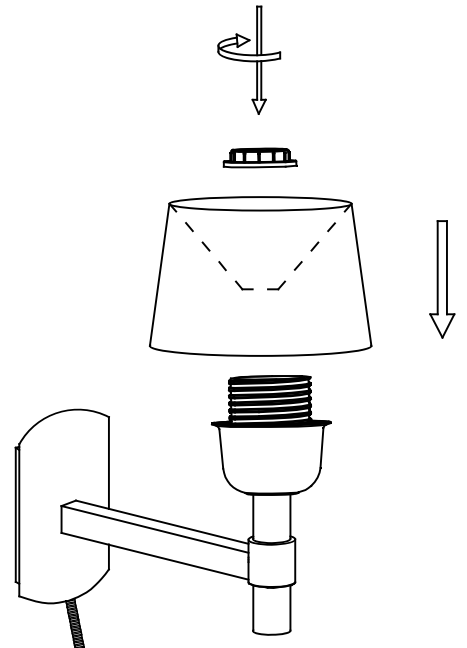
2



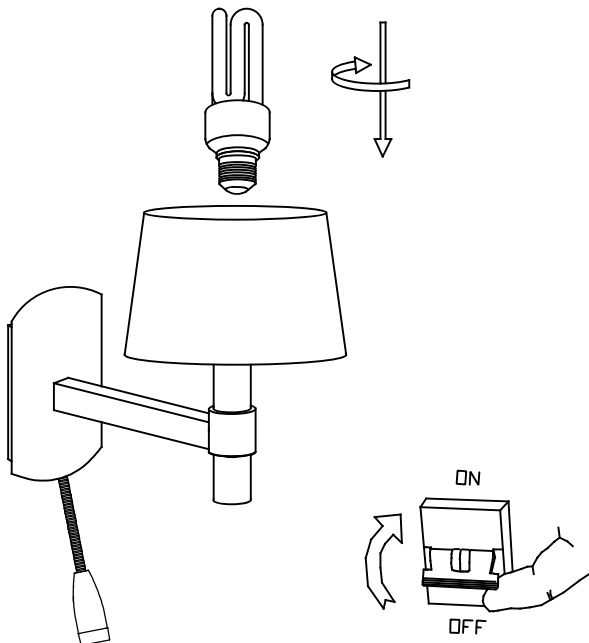
3



4



5



6

