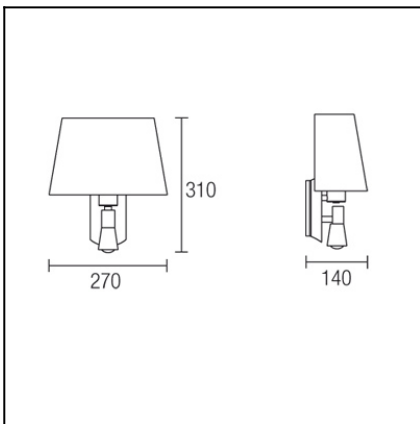


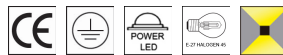


The photograph may not match the reference exactly. Please read the product description to identify the finish.



TECHNICAL CHARACTERISTICS

Type:	Wall fixture
IP Protection degrees:	IP20
Light source 1:	1 x LED Cree 3W Warm White - 3000K 182 lm ^(N) CRI 80
Light source 2:	1 x E27 60W Maximum lamp length: 150.00 mm
Angle of the optics / Reflector:	30°
Voltage / Frequency:	100-240V/50-60Hz
Warranty (Years):	2
Option to extend the guarantee (Years):	5
Units per box:	6
Net Weight (Kg):	0.98
EAN:	8435111066027



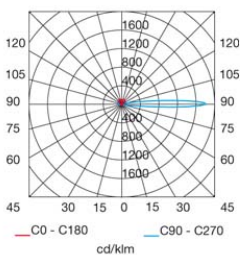
MATERIALS / FINISHES

Structure material: Steel	Diffuser material: Fabric shade
Structure finish: Satin nickel	Diffuser finish: White

GEAR

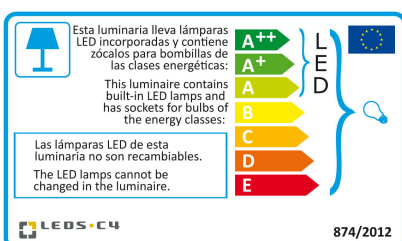
Multi-voltage electronic gear included (110-240 V / 50-60 Hz)

E-27 60W + led 3W



$\eta = 83,85\%$

Download photometric file .ldt / .ies

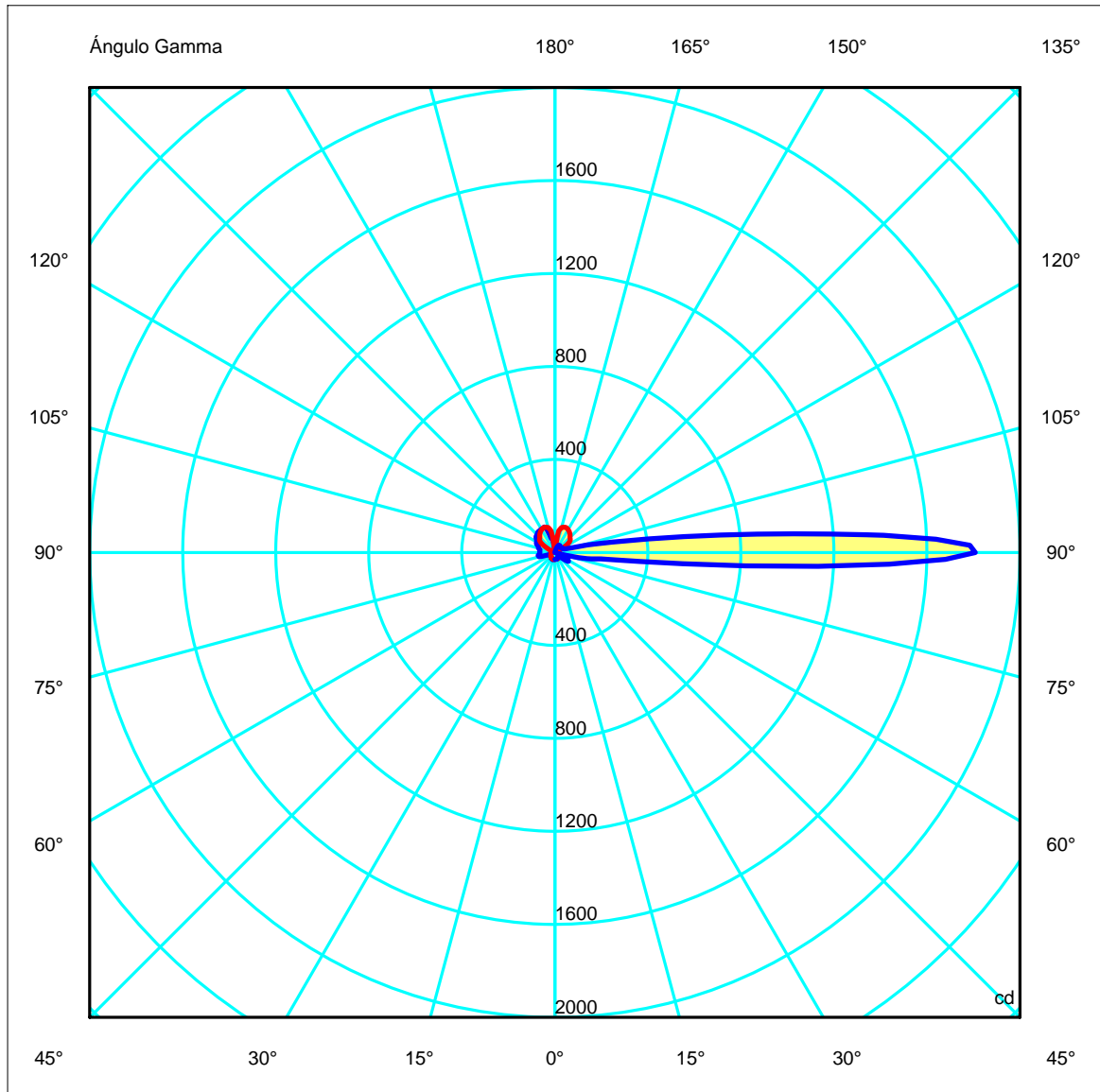
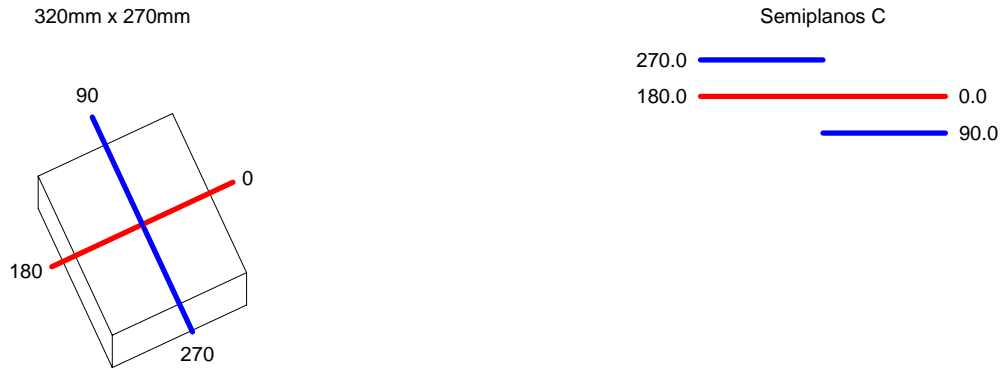


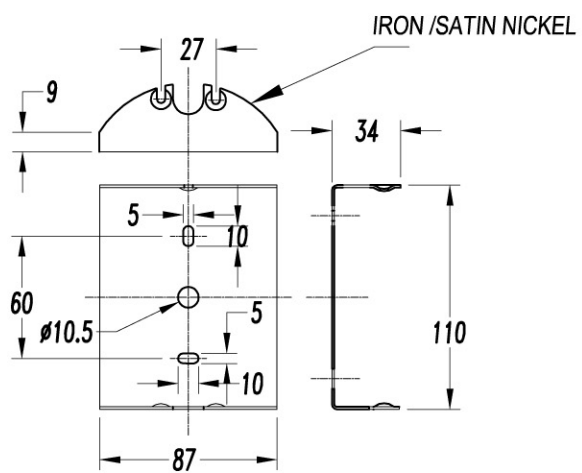
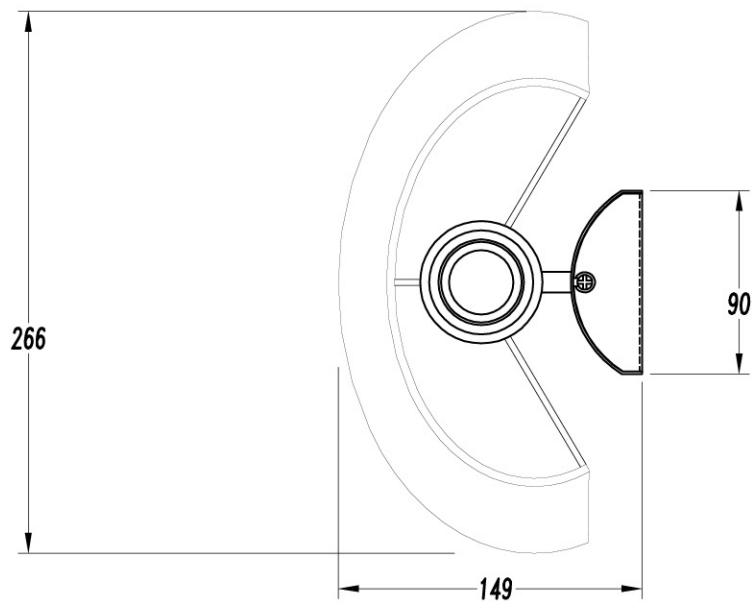
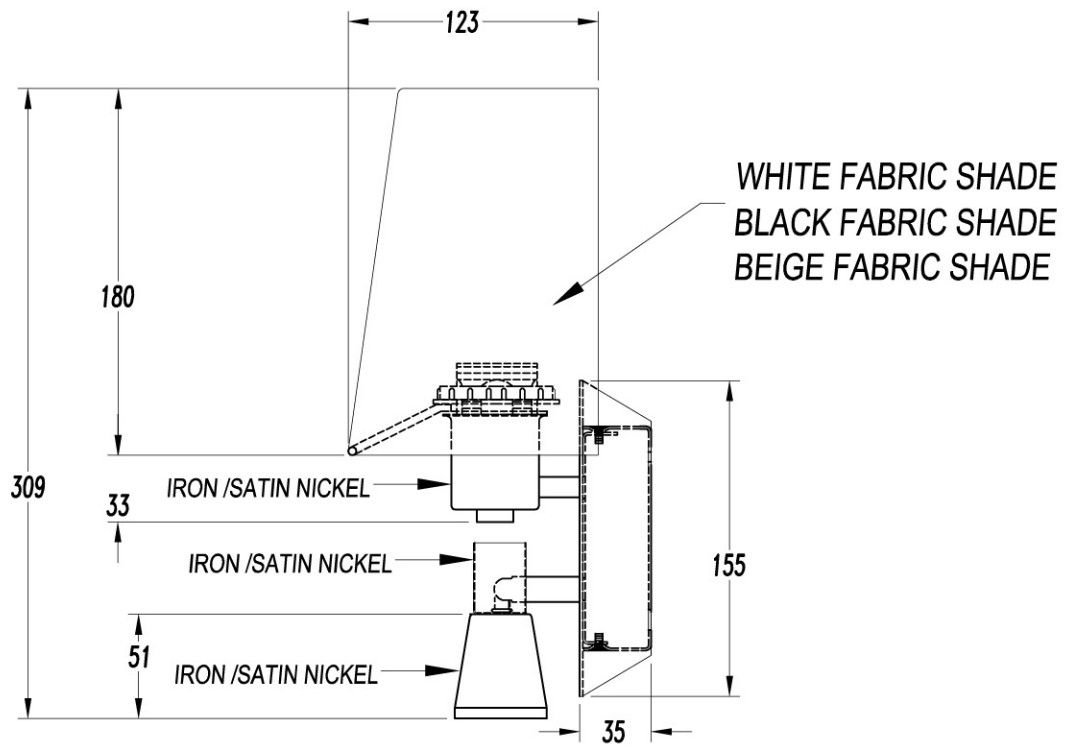
Lr 874/2012 litions. Its actual flow will depend on the environmental conditions and the efficiency of the optics and/or diffuser.

LEDS-C4 reserves the right to make the necessary technical changes they deem adequate, in order to improve the features of the product.

Please consult the sales team to clarify any doubt.

Luminaria		Ensayo		Lámpara	
Código	05-2814-81-14	Código	05-2814-81-14	Código	CLAS A CL 60
Nombre	Aplicado BALMORAL 60W E27 + led	Nombre	Aplicado BALMORAL 60W E27 + led	Número	2
Familia	- LEDS-C4	Fecha	12-04-2010	Posición	Universal
Eficiencia	83.85%	Sist. de Coorden.	C-G	Flujo Total	814.00 lm
Valor Máximo	1807.97 cd	Posición	C=90.00 G=90.00	Sim. en los planos 270-90	







LEDS • C4

