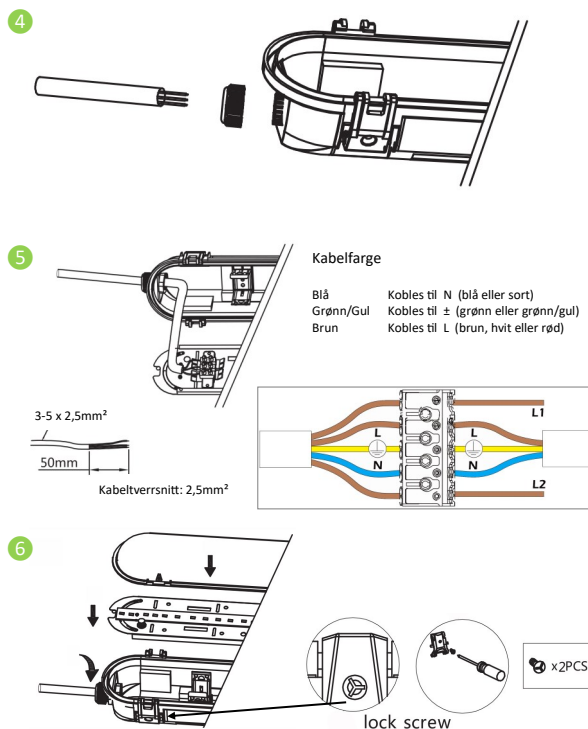
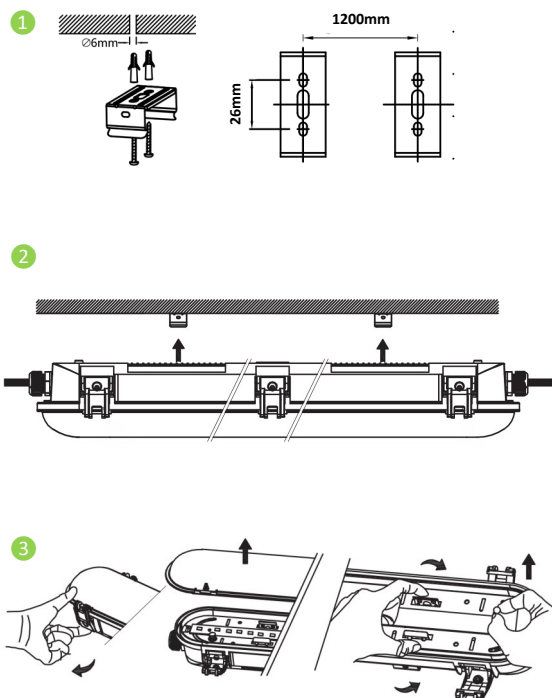


WORK SLIMLINE 156

Artikkelref.: 040703536v2

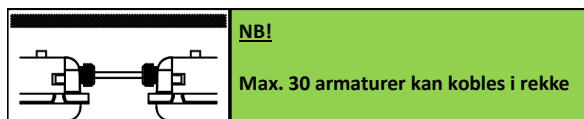
36W LUMILEDS LED, 4000K - 4680lm/CRI≥80



MONTERINGSVEILEDNING

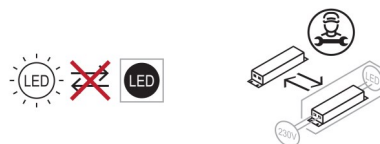
1. Monter de to brakettene til underlaget, bruk ev. medfølgende plugg og skrue, avhengig av underlaget (Fig.1)
2. Klips armaturen på plass (Fig. 2)
3. Løsne klipsene (avdekning henger i de to ytterste klips). Klem sammen fjærene på flaten og trekk platen mot deg ved å gripe i knoppen i hjørnet (denne delen blir hengende) (Fig. 3)
4. Før inn ledningstilførsel (og eventuelt videreføring) (Fig. 4)
5. Monter kablene (Fig. 5)
6. 1. Skru til strekkavlastningen på nippel.
2. Sett platen med LED strip på plass (klikk).
3. Fest skjermen ved å lukke klipsene
4. Lås de ytterste klips med medfølgende skrue (Fig. 6)

Denne armaturen kan ikke dimmes!



SIKKER BRUK

Enkelte typer montasjer kan du utføre selv. Til tross for dette anbefaler vi at montasjen blir utført av en registrert installasjonsvirksomhet. På denne måten sikres lengst levetid & sikker bruk av produktet.



NB! Vær oppmerksom på at ikke alle overflater tåler 90° C. Plastbelagte takplater kan bli misfarget allerede ved lavere temperaturer. Misfargingen er i seg selv ikke farlig, men kan være skjjemmende.



Kildesortering. Dette produktet må ikke kastes i det vanlige husholdningsavfallet. Hvis du finner ut at ditt NorDesign-produkt må skiftes ut, eller hvis du ikke lenger har bruk for det, må du unnlate å kaste det sammen med det vanlige husholdningsavfallet. Sørg for at dette produktet gjøres tilgjengelig for kildesortering.



Kildesortering av brukte produkter og emballasje gjør det mulig å resirkulere materialer og bruke dem igjen. Gjenbruk av resirkulerte materialer bidrar til å forhindre forurensning av miljøet og reduserer behovet for råvarer. Lokale regelverk kan legge til rette for kildesortering av elektriske produkter fra husholdningen, ved kommunale depoter eller gjennom forhandleren når du kjøper nytt produkt.

NOR DESIGN

www.nordesign.no

SIKKERHET (NORSK)

- For din egen sikkerhet anbefaler produsenten korrekt installasjon og bruk av denne armaturen. Følg vedlagte instruksjoner for sikker installasjon og bruk.
- Koble alltid fra strømmen før vedlikehold eller reparasjoner.
- Kontakt alltid en elektriker eller forhandleren for forespørsler. Installasjon skal alltid foregå i henhold til gjeldende regulativer.
- Pass på at alle (elektriske) enheter er skrudd korrekt & fast sammen. Dette gjelder for både 230V og 12V koblinger.
- Skal produktet fastmonteres, pass på at riktige ledninger kobles sammen: blå eller sort (nøytral), brun, rød eller hvit (leder) og ved jordtilkobling grønn/gul.
- Pass på at ingen ledninger skades ved fastmontering.
- Rengjør lampen med en ren, tørr klut. Bruk ikke sterke vaskemidler.
- Strømførende komponenter skal ikke i kontakt med væske.
- Dersom ledninger eller ledningsførende enheter er skadet, må reparasjon kun foretas av produsent, godkjent servicepersonell eller elektriker. Dette for å unngå brann, elektrisk støt eller annen personskade.
- Følg spesifikasjoner og instruksjoner nøye. Sjekk symbolmerkingen på lampen og i monteringsanvisningen.



Er du i tvil kan du søke mer informasjon her: www.dsb.no

SAFETY INSTRUCTIONS (ENGLISH)

- For your own safety the manufacturer advises a correct use of this lighting fixture! Follow and save these instructions for correct and safe installation of the fixture
- Always isolate the power before commencing installation, maintenance or repair.
- If in doubt, consult a qualified electrician or contact your retail outlet. Ensure that you always install the fitting according to the local regulations.
- Always tighten the (electrical) mounting parts tightly. This goes for 230V and 12V connections.
- If you connect the wires, always pay attention to the color of the wires: blue or black (neutral), brown, red or white (live) and in case of protection class I, yellow/green (earth).
- Pay attention that you don't damage the wires when mounting the fixture!
- Clean fixtures with a dry cloth, never use abrasives or solvents.
- Avoid electrical parts getting in touch with liquids.
- If the external flexible cable or chord of the luminarie is damaged, it should be exclusively replaced by the manufacturer or his service agent or similar qualified person in order to avoid hazard.
- Always consider all the technical specifications of the fixture. Verify the stated icons on the label of the fixture and the icons that are shown in the mounting instructions.

NOR DESIGN

www.nordesign.no

EMERGENCY

LED Emergency converter YH18 6W 3H series Self-test

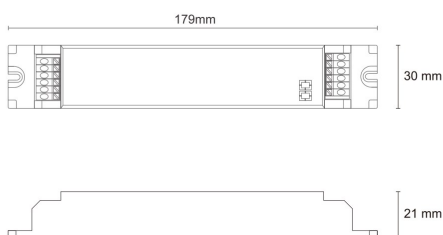
STREAMER



Product description

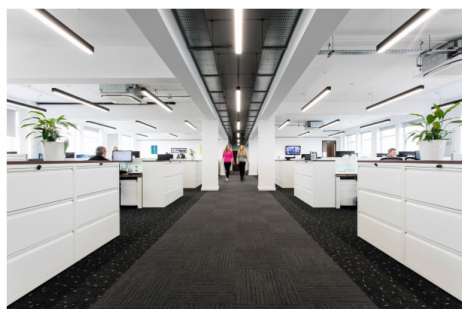
- Self-test function.
- LED emergency converter that can transfer standard LED fitting into emergency LED fitting.
- Used with Lithium iron phosphate battery.
- Suits for LED fitting with external led driver.
- Accessory: test switch and charge indicator.

Dimension



Applications

- Use in damp and dry environment.
- For use on a wide range of LED fittings to convert them from standard to emergency fitting.
- LED fitting would be maintained emergency fitting if standard (main powered) driver, emergency lighting kit and battery are all retained in the circuit. LED fitting would be non-maintained emergency fitting if only emergency conversion module and battery are retained in the circuit.
- Additional Relay that can control standard LED driver.
- Deep discharge protection.
- Connector between emergency kit and battery has the function of polarity reversal protection.
- Ambient range t_a 0...50°C
- IP20 protection, relies on end-product enclosure for protection against accidental contact live parts.
- Not intended for use in luminaries for high-risk task area lighting.
- Full warranty 5 years.



NOR DESIGN

www.nordesign.no

EMERGENCY

LED Emergency converter YH18 6W 3H series Self-test

Naming rules

Emergency power kit	Nomenclature
	$\frac{\text{YH18}}{1} - \frac{6}{2} \frac{03}{3} \frac{3060}{4} \frac{\text{Li}}{5}$
1. Basic series	YH18
2. Power(Emergency mode)	2: 6W ;
3. Duration	03: 180minutes
4. Output voltage (Emergency mode)	3060: 30V to 60V H300: 50V to 300V
5. Battery	Li: LiFePO4 Battery

Technical data

- Input rated voltage: 220-240V AC, 50-60Hz
- AC input current: 50mA
- AC Input power: 5W max
- Power factor: 0.5
- Charge time : 24 hours
- Charge mode: trickle re-charging on battery.
- Output emergency power 6 wattage DC30...60V , DC50...300V Constant power output.
- Output voltage DC30...60V, DC70V max, DC50...300V,DC340V max.
- Battery pack voltage/capacity (LiFePO4) 6.4V/6600mAh.
- Battery Charging Current: 0-300mA
- 3 hours rated duration
- Max. casing temperature tc 80°C
- Lumen Factor: 120lm/Wattage
- Basic insulation between main supply and the battery circuit.
- This unit can recharge the battery normally after reconnecting of battery.

Ordering data

Type	Mode *Constant power	Battery	Duration	Qty /Carton
YH18-6033060Li	DC 30-60V 6W	LiFePO4 6.4V6.6AH	3 Hours	25pcs
YH18-603H300Li	DC 50-300V 6W	LiFePO4 6.4V6.6AH	3 Hours	25pcs

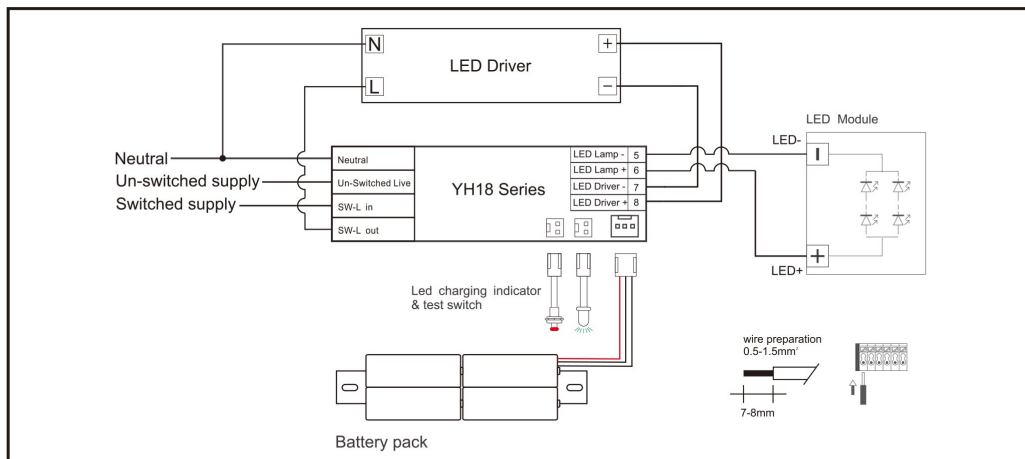
EMERGENCY

LED Emergency converter YH18 6W 3H series Self-test

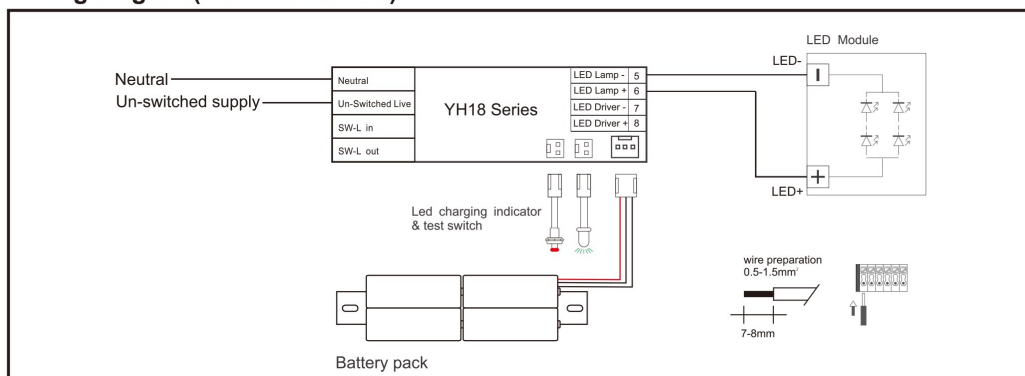
Install

- Installed on the back of the panel requires safety and fixation.
- Only professional people (e.g. electrical Engineer) can wire it.
- Please confirm that the electrical parameters of this product match with the luminaire.
- Please check the wiring method carefully before installation.
- Please power off mains supply before installation, and confirm the wiring is correct, then connect the battery, the last step is to turn on mains supply.

Wiring diagram(Maintained)



Wiring diagram(Non-maintained)



EMERGENCY

Battery pack LiFePO4 6.4V 4.5Ah

Battery

Battery type	Battery model
LiFePO4 6.4V 6.6Ah	YHBL-2-6.6Z

*YH18 series are all available with LiFePO4 batteries
If you need more details of spec, please go to www.szstreamer.com for downloading .

Battery Declaration

- Batteries' lifetime is 4 years.If you are using or stocking the batteries for 4 years, please replace the batteries.
- The batteries can not be charged for 5000 hours consistently.
It should be discharged for once at least, during the 5000 hours charging time.

Size

Model No.:	Battery pack L×W×H
YHBL-2-6.6Z	297×30.6×28.5mm

Technical data(battery cells)

Battery model	IFR26650-3300
Battery voltage per cell	3.2V
Battery capacity per cell	3300mAh
Battery case temperature	0...60°
Max short term temperature	70°

Ordering data

Model No.:	Rated	Type	Number of cells	Battery cells type
YHBL-2-6.6Z	6.4V 6.6AH 42.24Wh	IFR26650-3300 2s2p	4	IFR26650-3300

*2S2P
S: Series connection
P: Parallel connection

EMERGENCY

LED Emergency converter YH18 6W 3H series Self-test

SelfTest

The emergency kits carry out self-tests automatically to ensure its functionality.

The self-test includes 3 types of tests:

Initial test

-As soon as mains supply is connected, the emergency kit will carry out a 3-seconds functional test automatically.

- In case of a failure, the LED will turn permanent red. Otherwise, the charge mode will start.

Functional test

- Carry out for 10 seconds automatically every 30 calendar days.

Duration test

- Carry out every 180 calendar days.







Please note

If mains supply is off during self-test period, emergency conversion module would terminate self-test immediately and go into emergency mode.

Self-test is under the regulation of EN62034.

The controlgear is proof against supply voltage polarity reversal

Explanation of LED indicator

	Color	LED indication	Status	Comment
	Green	Permanent green	Charging Mode or Fully Charged	AC mode
	Green	Fast flashing green (0.1 sec on, 0.1 sec off)	Function test underway	
	Green	Slow flashing green (1 sec on, 1 sec off)	Duration test underway	
	Red	Permanent red	Load failure	Open circuit/ Short circuit Led failure (emergency mode)
	Red	Slow flashing red (1 sec on, 1 sec off)	Battery failure	Battery failed the duration test or function test / No battery
		Green and red off	DC mode	Battery operation (emergency mode)

Test switch

The test button is an open switch, if you press it, it connects, and then you release it, it cuts off automatically.

When you are doing the daily maintenance, if you press the test button, the emergency driver goes into emergency mode, if you release the button, the emergency driver will go back to normal mode.

LED indicator

It can reflect charging or not charging. LED charging monitor will be light if battery is connected while it will be off without battery connecting.

EMERGENCY

LED Emergency converter YH18 6W 3H series Self-test

Attention

- To guarantee the rated discharge time, please charge the battery for more than 12 hours.
Please ensure that the voltage is 80% higher than the rated voltage, less than 110% of the highest rated voltage.
 - Charge and discharge cycle needs to be done at least once every three months, and the continuous charging time can not exceed 3 months.
-

Warranty

- Warranty 3 years
- Except for the following circumstances:
 - 1) Improper installation or operation.
 - 2) Misuse.
 - 3) Abuse.
 - 4) Unauthorized or improper repair alteration.
 - 5) Accident or negligence in use, storage, transportation.
 - 6) Any natural acts.

* If users would like to change the batteries pack, please use the nominated models of STREAMER , then it will be under the warranty .