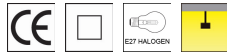




The photograph may not match the reference exactly. Please read the product description to identify the finish.

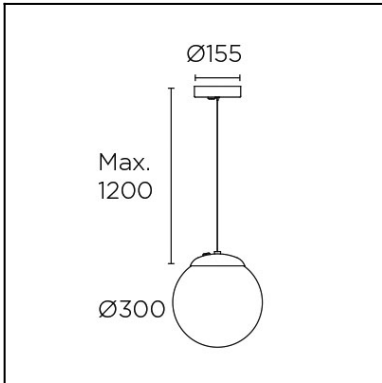
TECHNICAL CHARACTERISTICS

Type:	Pendant
IP Protection degrees:	IP44
Light source 1:	1 x E27 MAX.100W
Voltage / Frequency:	220-240V/50-60Hz
Units per box:	1
Net Weight (Kg):	1.09
EAN:	8435381426934

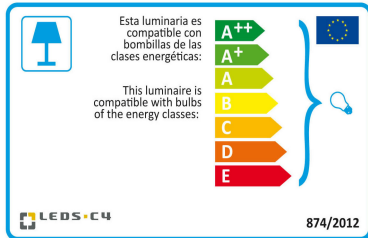


MATERIALS / FINISHES

Structure material:	Polycarbonate	Diffuser material:	Methacrylate
Structure finish:	White	Diffuser finish:	Opal



[Download photometric file .ldt / .ies](#)



[Click on image to download energy label](#)

RESUMEN INFORME DE ENSAYO

LED'S C4

00-9155-14-M1

Referencia de ensayo: 384

Fecha del informe: 7-7-15

Resumen

Informe de prueba fotométrica.

Matriz de intensidades	SI
Diagrama polar	SI
Diagrama cartesiano	SI
Fichero eulumdat	SI
Fichero IESNA	-----
Fichero OXL	-----

Informe de prueba colorimétrica -----



Responsable laboratorio



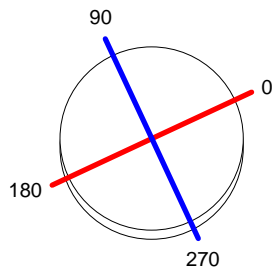
Enginyer tècnic
industrial
Col·legi d'Enginyers tècnics
industrials de Barcelona

Director Técnico

Luminaire		Measur.		Lamp	
Code	00-9155-14-M1	Code	00-9155-14-M1	Code	13646 100W 230V E27
Name	Colgante CISNE 1x100W hal. E27	Name	Colgante CISNE 1x100W hal. E27	Number	1
Line	- LEDS-C4	Date	07-07-2015	Position	Universal
Efficiency	75.30%	Coordinate system	CG	Total Flux	1480.00 lm
Maximum value	101.34 cd	Position	C=75.00 G=80.00	Double Symmetrical	
Round Luminaire	Diam.	300 mm	Height	290 mm	
Round Luminous Area	Diam.	300 mm	Height	290 mm	
Horizontal Luminous Area	0.070686 m2		Emitting area on Plane 180°	0.087000 m2	
Emitting area on Plane 0°	0.087000 m2		Emitting area on Plane 270°	0.087000 m2	
Emitting area on Plane 90°	0.087000 m2		Glare area at 76°	0.101516 m2	
Symmetry Type	Double Symmetrical		Maximum Gamma Angle	180	
Measurement Distance	6.44		Measurement Flux	1212.00 lm	
Operator	Asselum T2		Source voltage	230.00 V	
Temperature	25.00 °C		Source current	Prc	
Humidity	43.00 %		Photocell		
Notes					

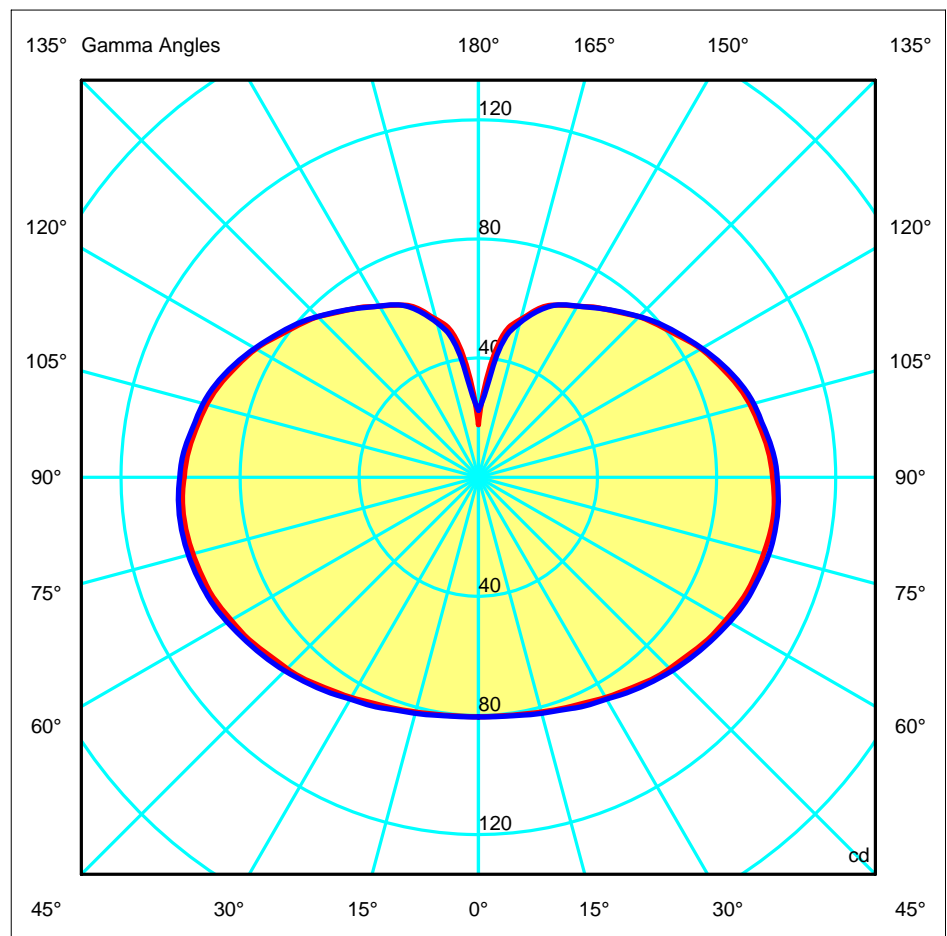
Luminaire Lamps					
Line	Code	Name	Flux [lm]	Pow. [W]	Q.ty
PHILIPS 2005 ILCOS HS,HD,HR,HM	13646 100W 230V E27	BTT46 HALOGENA Pro 100W E27 OP	1480.00	100.00	1
C.I.E.	23 47 74 53 75	D DIN 5040	C11		
F UTE	0.40 J + 0.35 T	B NBN	BZ 9 / 0.8 / BZ 8 / 1.25 / BZ 9 / 2.5 / BZ 8		

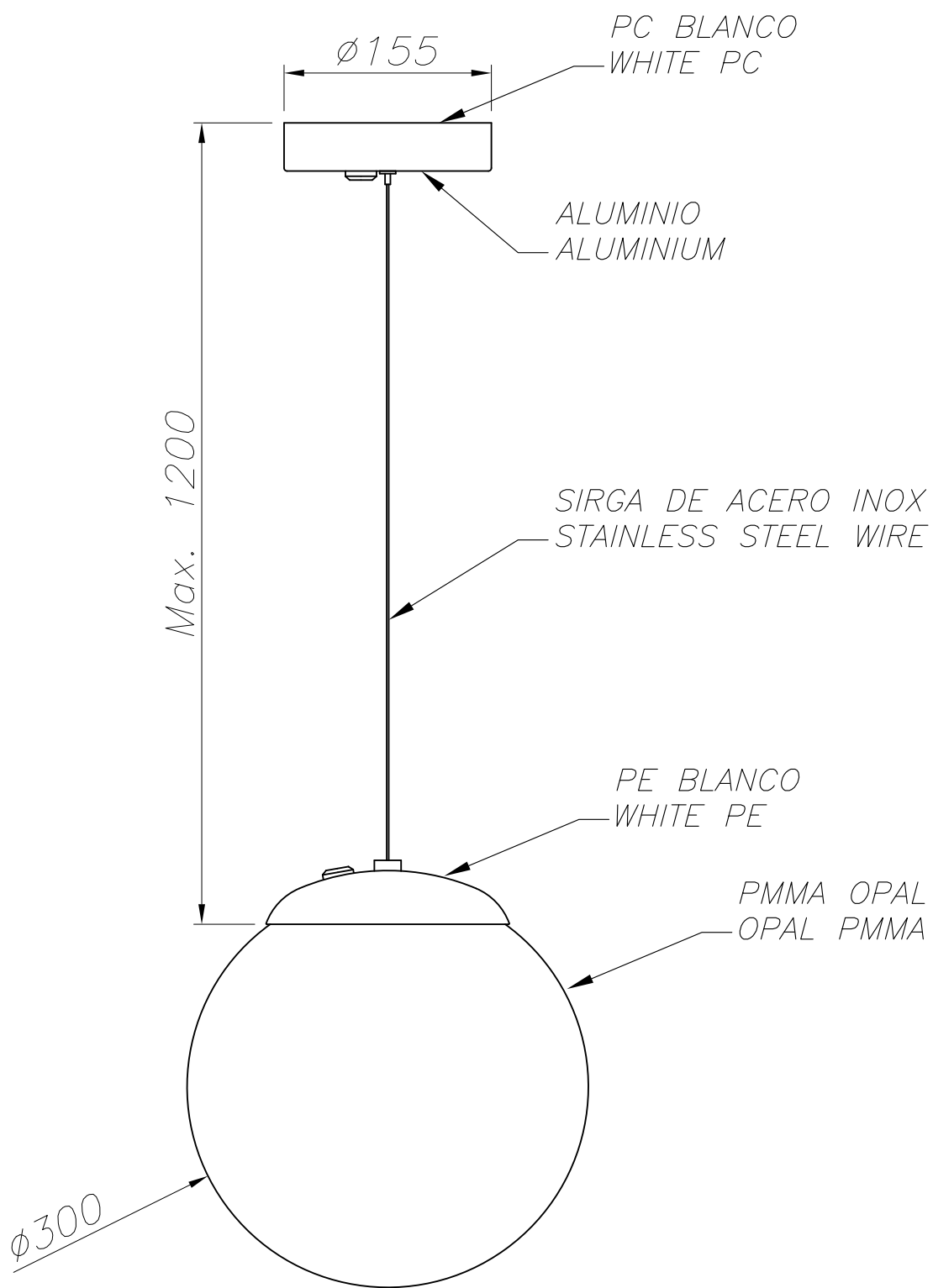
Diam=300mm



C Halfplanes
 180.0 — 0.0
 270.0 — 90.0

ULOR 35.13 %
 DLOR 40.17 %
 RN 46.65 %





PLANTILLA DE INSTALACIÓN
INSTALLATION TEMPLATE

