

### ATTIC Pendant

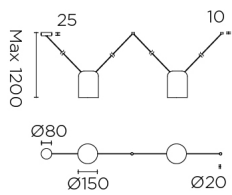
Designer: Nahtrang



#### Description

Pendant for indoor and outdoor use.

For downlighting. Design by Nahtrang. Ideal deco-tech compositions. Timeless design. Highly versatile, multiple installations. Highly customisable: accessories, finishes... No visible screws. Optimum price-performance. Easy installation. High durability for intensive use. Structure material: Aluminium. Structure finish: Matt white, Matt black. Warranty: 5 Years.



#### Finish

Matt white  
Matt black

#### Material

Aluminium



#### TECHNICAL CHARACTERISTICS

##### Light source

Lampholder: 2 x E27  
Output (W): MAX 23W  
Total power consumption (W): 46 W  
Lamp maximum dimension: 120/100 mm  
Quantity: 2

##### GEAR

Brand: NA  
Power Factor: 1.00

##### Luminaire

Recessed: No  
Warranty: 5 Years

##### Logistics

Energy Efficiency: NO BULB  
EAN Code: 8435526891429  
Net Weight (Kg): 0.000

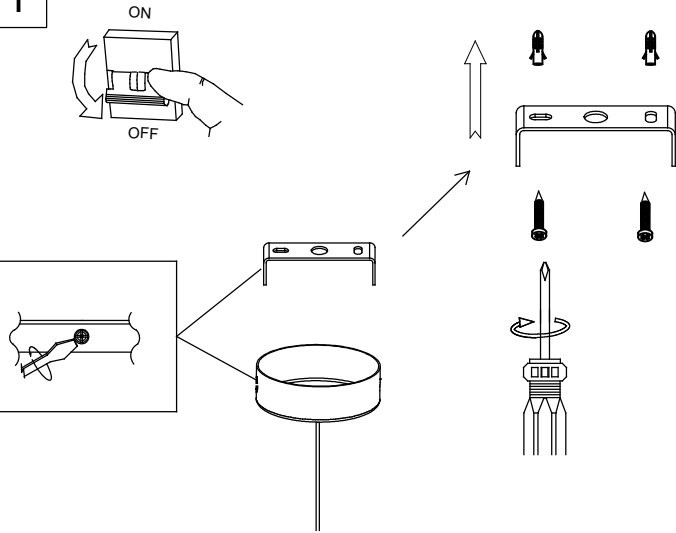
The photograph may not match the reference exactly. Please read the product description to identify the finish.



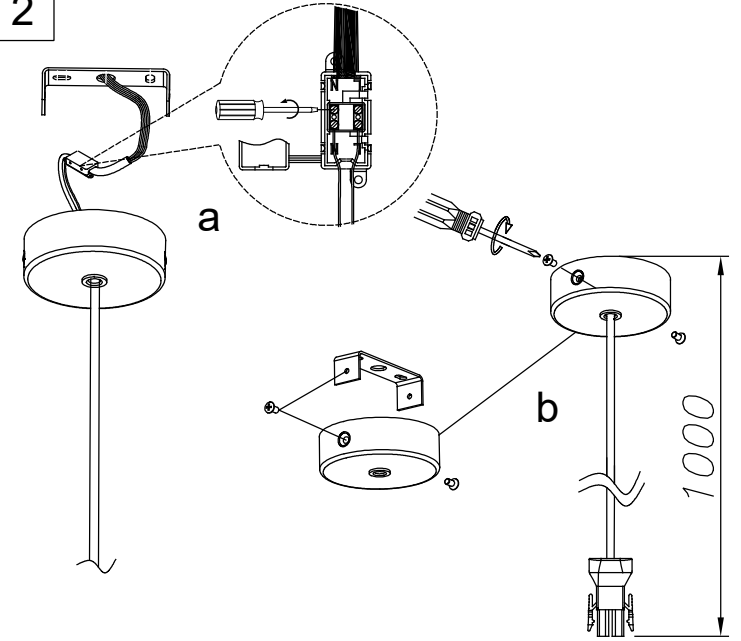
# LEDS C4<sup>+</sup>

ATTIC / 00-7396; 7397; 7400; 7401; 7404; 7405

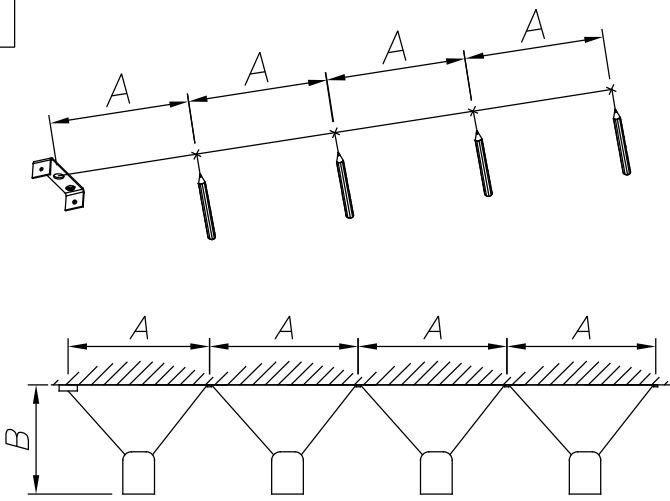
1



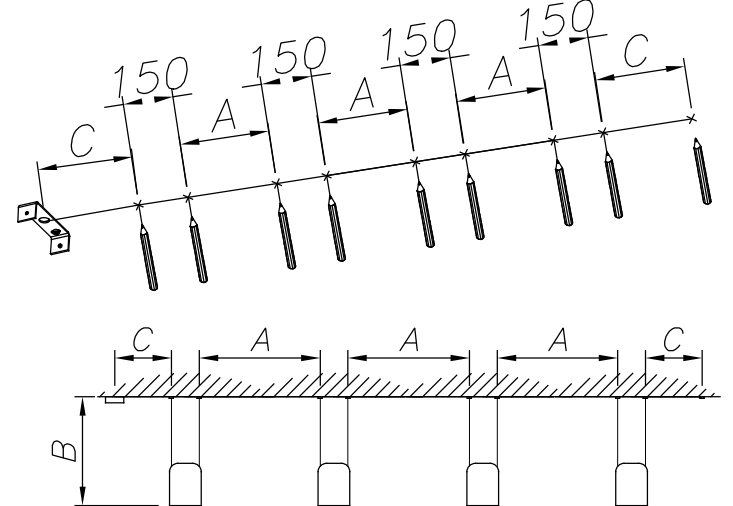
2



3

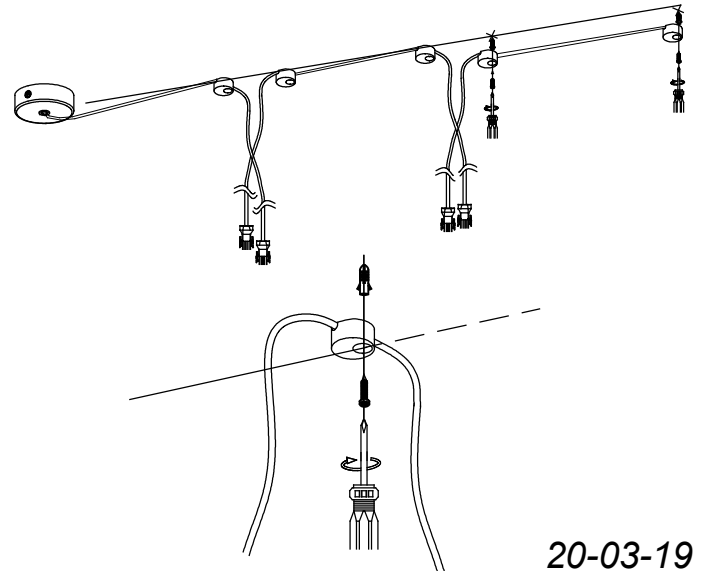
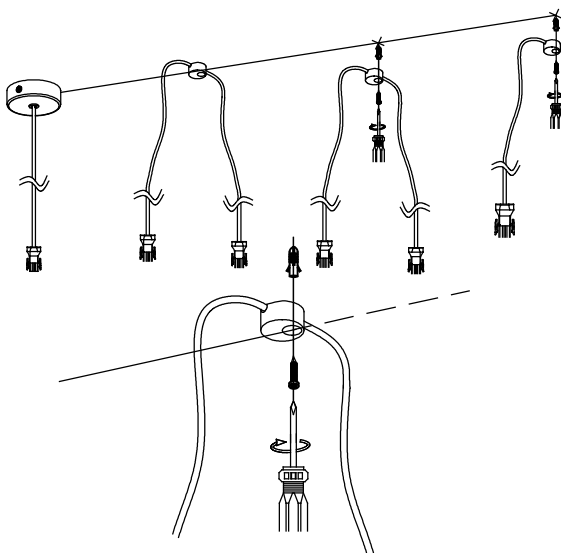


<b>A</b>	500mm	1000mm	1500mm
<b>B</b>	1140mm	1040mm	830mm



<b>A</b>	500mm	1000mm	1500mm
<b>B</b>	930mm	680mm	430mm
<b>C</b>	250mm	500mm	750mm

4

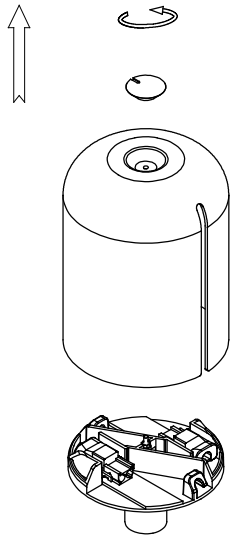


# LEDS C4<sup>®</sup>

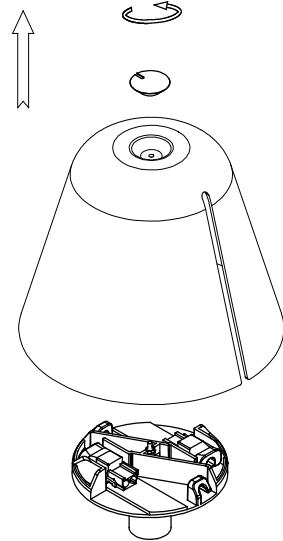
ATTIC / 00-7396; 7397; 7400; 7401; 7404; 7405

5

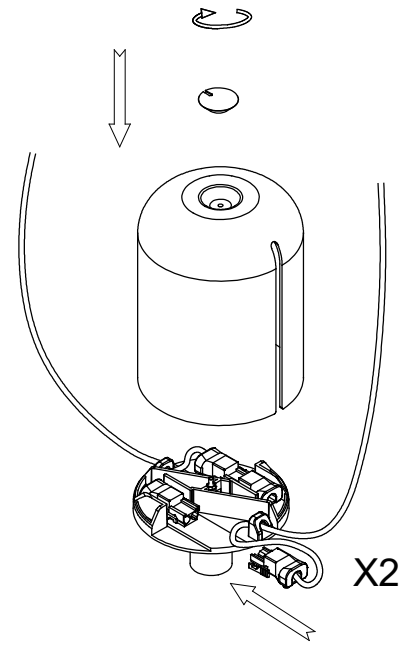
code: 71-7388



code: 71-7389



6



7

