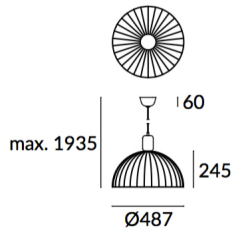


CONTRAST Pendant

Designer: Nahtrang Design

**Description**

Light from a collection

For downlighting. Design by Nahtrang. Ideal deco-tech compositions. Vintage/industrial design. Highly versatile, multiple installations. Highly customisable: accessories, finishes... High quality natural materials. No visible screws. Light effect. Embedded/surface mounted double installation. High durability for intensive use. Structure material: Steel, cement. Structure finish: Matt black, cement. Warranty: 5 Years.

Finish
Matt black
cement

Material
Steel
cement

**TECHNICAL CHARACTERISTICS****Light source**

Lampholder: 1 x E27
Output (W): MAX 60W
Total power consumption (W): Max. 60
W
Real Lumen: 475
Quantity: 1
Lm/Real W: 8
UGR: 4.8

GEAR

Brand: NA

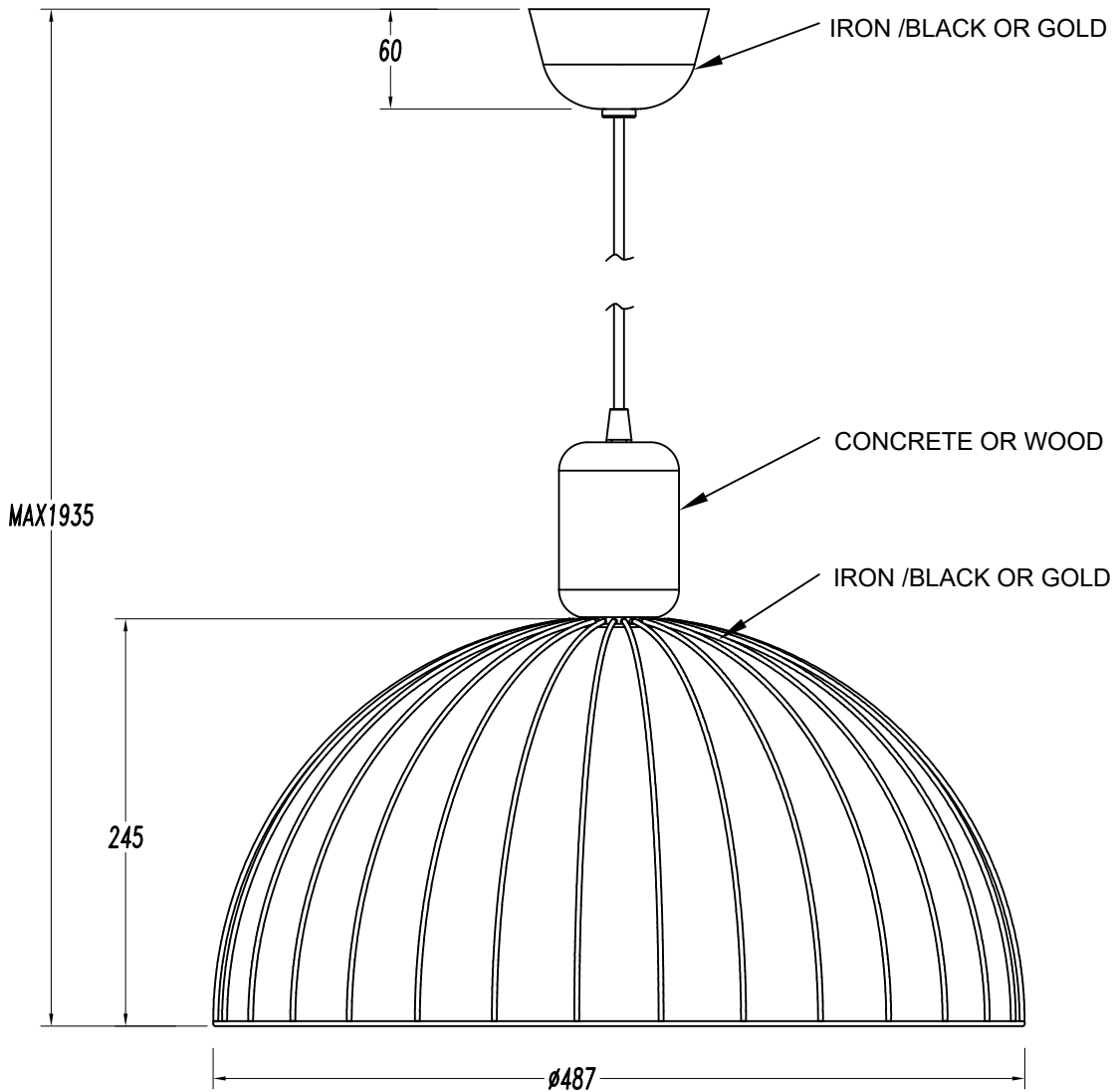
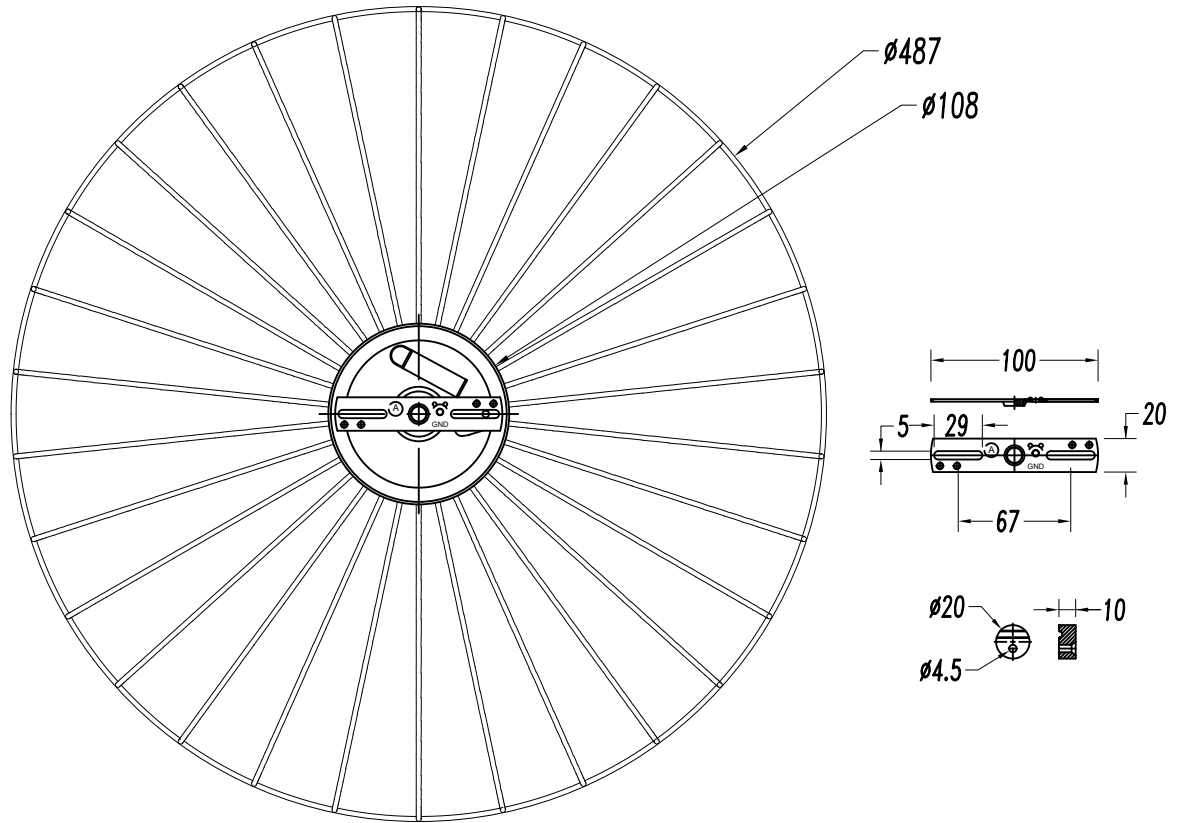
Luminaire

Warranty: 5 Years

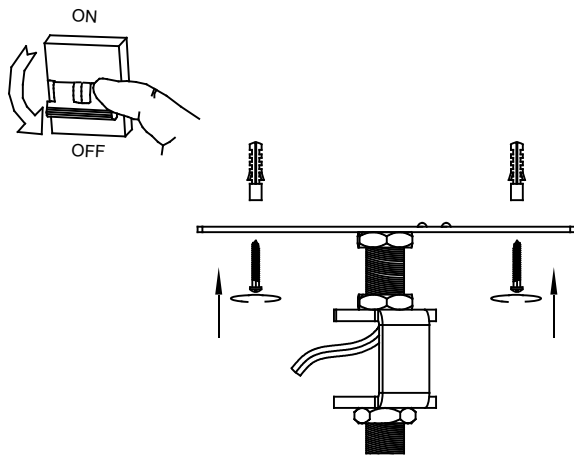
Logistics

Energy Efficiency: NO BULB
EAN Code: 8435381497408
Net Weight (Kg): 2.000
Weight in Kg (packaged): 4.313
Packing: - x - x -
Masterbox: 4

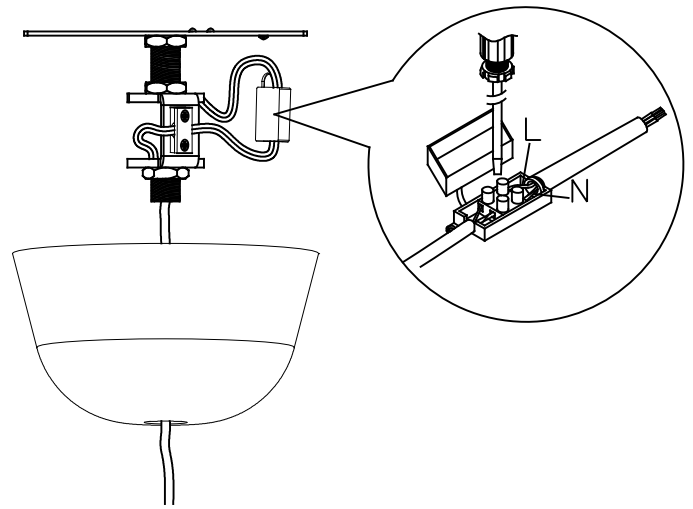
The photograph may not match the reference exactly. Please read the product description to identify the finish.



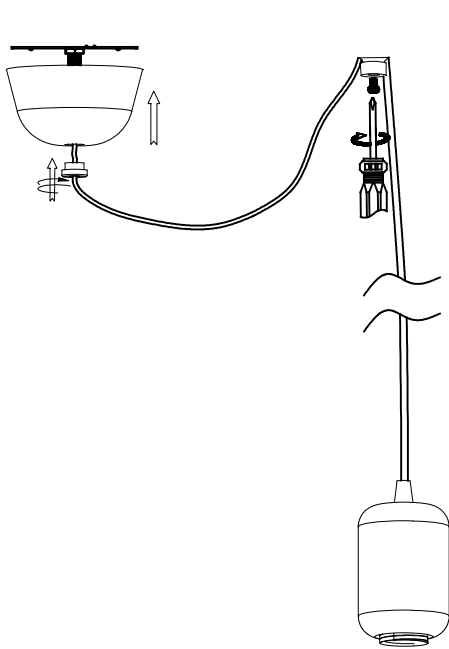
1



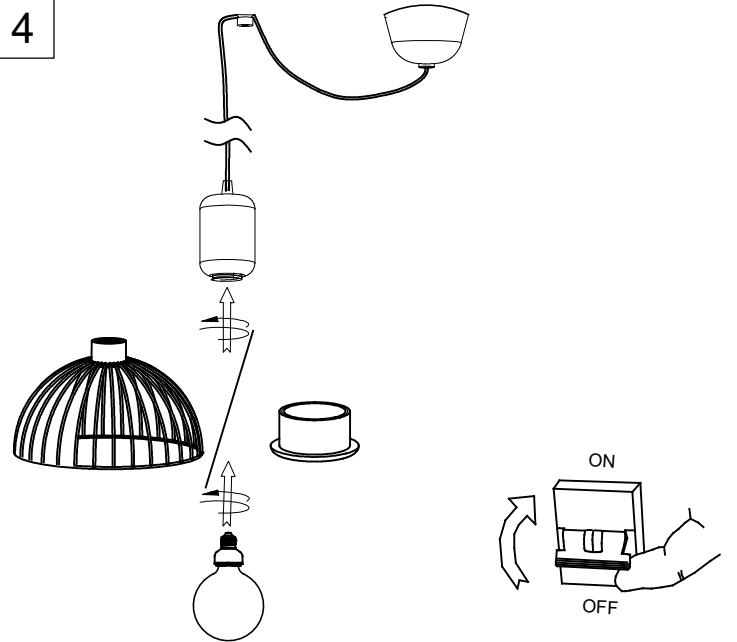
2



3



4



5

